

SN  
SA/SB

STAINLESS STEEL HOSE REEL

ECONOMY STAINLESS STEEL HOSE REEL



FOR USE  
IN TOUGH  
ENVIRONMENTS  
AND HYGIENIC  
APPLICATIONS

**Aero-Motive Company**



A Woodhead Industries, Inc. Subsidiary

FLUID HANDLING

# STAINLESS STEEL HOSE REELS

## Features:

Designed for use in food processing, chemical handling, industries, also harsh environments, such as marine applications. Reels do not include hose.

### SA / SB

- Stainless Steel construction.
- Containerized main spring for safe, easy maintenance.
- Guide arm adjustable to nine positions.
- Four roller guide to protect hose.
- Brass and stainless steel fluid path.
- Ratchet lock and easy tension adjustment



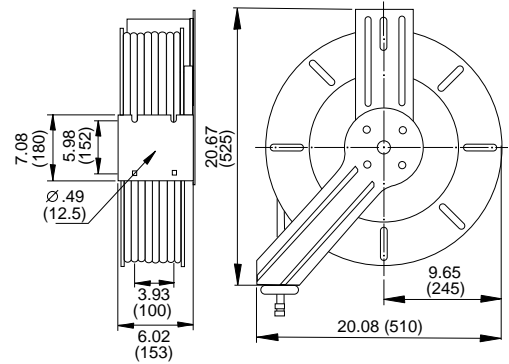
### SN

Meets the stringent hygienic requirements of European norm EN 1672-2.

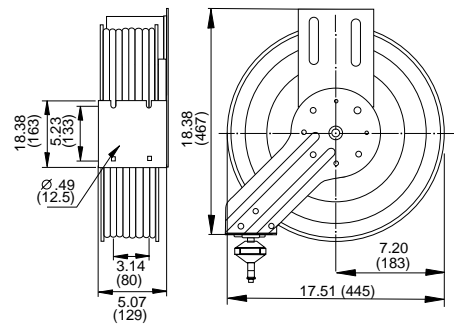
- Stainless Steel construction.
- Containerized main spring for safe, easy maintenance.
- Four roller guide to protect hose.
- Stainless steel fluid path.
- Ratchet lock and easy tension adjustment
- Easy to clean and service. Designed with a minimum of joints and with all surfaces smooth and sloping (in accordance with European norm EN 1672-2). Regarded as a piece of food processing equipment, SN Series meets all known hygienic demands from the industry and should be serviced according to current procedures.



SB Reel

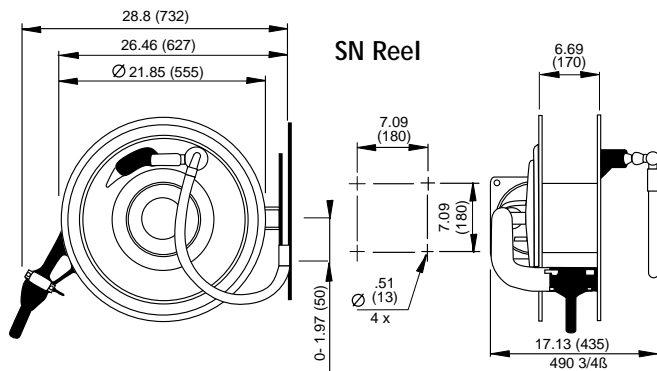


SA Reel



Model	Hose I.D.		Hose O.D.		Length		Pressure psi
	inch	mm	inch	mm	feet	m	
SA300	.25	6.4	.63	16	30	9.1	up to 3000
SA300	.38	9.6	.75	19	30	9.1	up to 3000
SB400	.38	9.6	.75	19	50	15.2	up to 3000
SB400	.50	12.7	.94	24	50	15.2	up to 3000
SN400	.50	12.7	.94	24	75	22.8	up to 3000
SN600	.75	19.0	1.25	31.7	50	15.2	up to 3000

Reels do not include hose



## Aero-Motive Company



A Woodhead Industries, Inc. Subsidiary

P.O. Box 2678  
Kalamazoo, MI 49003-2678  
(616) 337-7700  
1-800-999-8559  
FAX: 1-800-333-6119  
**reels.com**