

VPR

SERIES HOSE REEL



VALUE
PERFORMANCE
HOSE REELS

Aero-Motive Company

A Woodhead Industries, Inc. Subsidiary



reels.com

FLUID HANDLING

VPR Series

DA/DB/DC
MA/MB
HA/HB

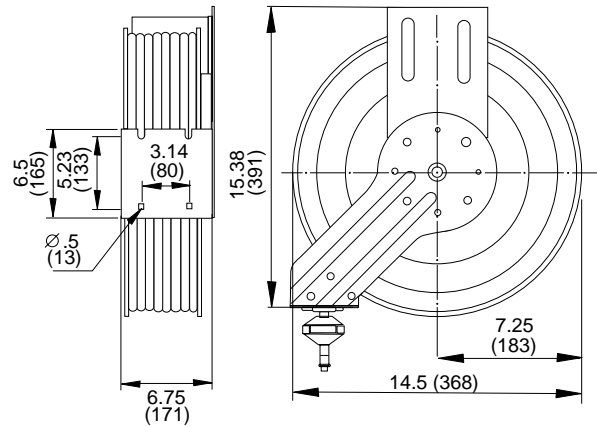
Features:

Designed for general and industrial use. Ideal for production lines, material handling equipment, service areas, maintenance applications and service vehicles.

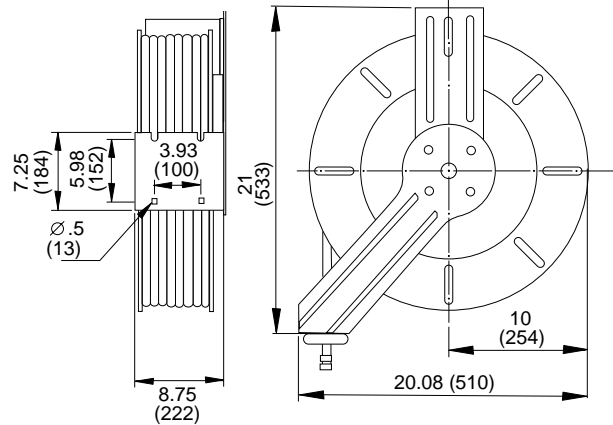
- Steel construction for long life in industrial applications
- Containerized main spring for safe, easy maintenance
- Adjustable guide arm
- Four roller guide to protect hose
- Brass and Stainless Steel fluid path with Nitrile seals
- Durable Epoxy powder-coat finish
- Ratchet lock and easy tension adjustment
- Hose stop included with all models
- Three frame sizes fit most application needs
- Stainless Steel models are available (see chart)
- Enclosed reels are also available in both standard steel and Stainless Steel models. (see back cover)



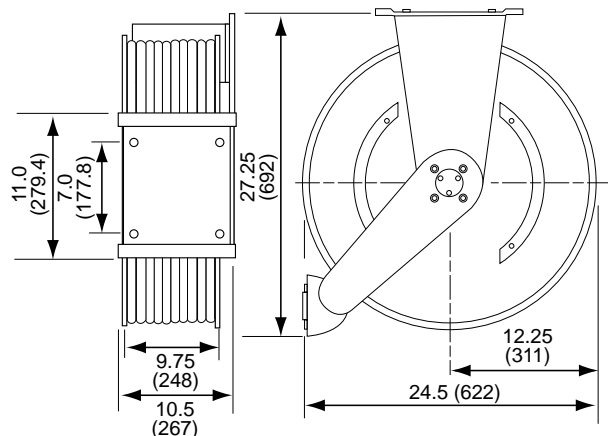
A Series



B Series



C Series



Hose Specs	Type	Max. Temp.
Low Pressure (to 300 psi)	EPDM/SBR tube, Red SBR cover	176° F 80° C
Medium Pressure (to 3000 psi)	SAE 100 R1 TYPE AT Synthetic Rubber tube & cover	212° F 100° C
High Pressure (to 5000 psi)	SAE 100 R2 TYPE AT Synthetic Rubber tube & cover	212° F 100° C

Other types of hoses are available. Consult factory.



Standard Model	Stainless Steel Model	Hose I.D. inch	Hose I.D. mm	Hose O.D. inch	Hose O.D. mm	Length feet	Length m	Pressure psi	Hose inlet fitting NPT
DA230		.25	6.4	.63	16	30	9.1	300	.25
DA330		.38	9.6	.75	19	30	9.1	300	.38
DA300	SA300	Without Hose						300	.38
MA230		.25	6.4	.63	16	30	9.1	2000	.25
MA330		.38	9.6	.75	19	30	9.1	2000	.38
MA300		Without Hose						3000	.38
HA230		.25	6.4	.63	16	30	9.1	5000	.25
HA200		Without Hose						5000	.25
HA325		.38	9.6	.75	19	25	7.62	4000	.38
HA300		Without Hose						5000	.38



Standard Model	Stainless Steel Model	Hose I.D. inch	Hose I.D. mm	Hose O.D. inch	Hose O.D. mm	Length feet	Length m	Pressure psi	Hose inlet fitting NPT
DB350		.38	9.6	.75	19.0	50	15.2	300	.38
DB430		.50	12.7	.94	23.8	30	9.1	300	.50
DB450		.50	12.7	.94	23.8	50	15.2	300	.50
DB400	SB400	Without Hose						300	.50
MB350		.38	9.6	.75	19.0	50	15.2	2000	.38
MB430		.50	12.7	.94	23.8	30	9.1	2000	.50
MB450		.50	12.7	.94	23.8	50	5.2	2000	.50
MB400		Without Hose						3000	.50
HB250		.25	6.4	.63	16.0	50	15.2	5000	.25
HB200		Without Hose						5000	.25
HB330		.38	9.6	.75	19.0	30	9.1	4000	.38
HB350		.38	9.6	.75	19.0	50	5.2	4000	.38
HB300		Without Hose						5000	.38



Standard Model	Stainless Steel Model	Hose I.D. inch	Hose I.D. mm	Hose O.D. inch	Hose O.D. mm	Length feet	Length m	Pressure psi	Hose inlet fitting NPT
DC475		.50	12.7	.88	22	75	22.9	300	.50
DC410		.50	12.7	.88	22	100	30.5	300	.50
DC400		Without Hose						300	.50
DC660		.75	19.1	1.25	31.8	60	18.3	300	.75
DC600		Without Hose						300	.75
DC850		1.00	25.4	1.50	38.1	50	15.2	300	1.00
DC800		Without Hose						300	1.00



A full line of solutions for reel-world applications.



Hand Wind A durable, general purpose reel for maintenance and service areas, wash-down equipment, and service vehicles. Made of heavy steel with corrosion-resistant powder coat finish. Units mount easily on floors, walls or work benches.



High Capacity Hose length is not a problem. Aero-Motive provides a variety of high-capacity models in standard reels as well as medium and high pressure models.



Enclosed Completely enclosed units protect stored hose and reel components. An ideal solution for heavy-duty outdoor use or indoor application where dust, dirt or abrasive materials are a concern. Also available in Stainless Steel.



Aluminum Corrosion resistant housing, frame and essential components constructed of heavy-duty aluminum for years of rust-free service in harsh environments. Units also feature containerized mainspring and anti lock-out ratchet system. The perfect solution for marine applications.



Double Sided Rugged steel construction reels able to handle heavy use and shock loads. Ideal for service trucks.



Stainless Steel Stainless steel housing, lead-free brass fluid path, and FDA approved seals meet the stringent standards of the food handling & processing & pharmaceutical applications.



Dual Hose Welding Standard and VPR models, UL listed for oxygen/acetylene, MAPP gas, propane, and natural gas welding. Use for production lines, material handling equipment, service areas, and maintenance applications.

Aero-Motive Company

W A Woodhead Industries, Inc. Subsidiary

P.O. Box 2678
Kalamazoo, MI 49003-2678
(269) 337-7700
1-800-999-8559
FAX: 1-800-333-6119

reels.com