

alcon Innovations

NEW ACA Series Solenoid Valve from Alcon



ACA Series Valves are Ideal for industrial applications for the control of neutral or corrosive fluids.

Markets Served

- Steam Service
- Packaging Production
- Fabric and Textile Mills (For Bleaching and Dying)
- Pulp and Paper Production
- Water Processing
- Autoclaves

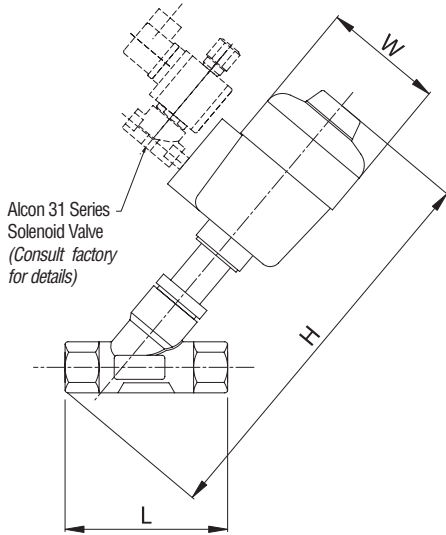
Features and Benefits

- Remote Controlled Valve for Temperatures of up to 180°C (356°F)
- Angled Body Provides Higher Flow Rates
- Anti-Water Hammer Design (Flow Under Seat)
- Operator Rotatable Through 360°
- Optical Position Indicator
- Compact Valve Body Design
- 1/2" to 2" Sizes Available, NPT, BSP, Butt or Socket Weld
- Stainless Steel Body as Standard
- High Life Expectancy
- Maintenance Free Gland
- Namur Option Capability

Technical Specifications

Body Material:	316 Stainless Steel
Seal Material:	PTFE (Teflon) - 328°F to +356°F - 200°C to + 180°C
Note: Temperature ranges indicate media temperatures for seal material.	
Pilot Port Connection:	1/4" BS21 or NPT
Min. Pilot Pressure:	See Chart
Max Pilot Pressure:	10 Bar (150 psi)
Pilot Media:	Compressed Air, Filtered 50µm
Pilot Temperature:	+14°F to +140°F -10°C to +60°C
Ambient Temperature:	+14°F to +140°F -10°C to +60°C
Media:	Steam, Water, Oil, Fuel, Alkaline Solutions, Hydraulic Fluid and Salt Solutions (Compatible with Construction Materials)
Maximum Media Viscosity:	600 cSt

Dimensional and Specification Data - ACA Series Valves



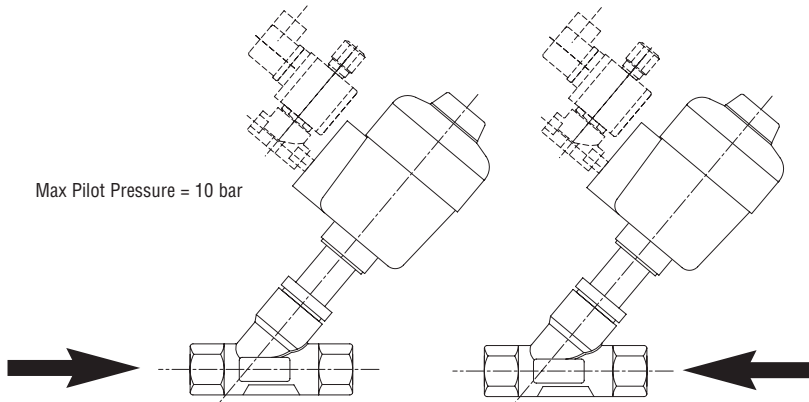
Pipe Size	Orifice mm	Kv	OPD Bar	P. Max Bar	Weight Kg	Catalog Number
1/2"	13.0	3.8	0-16.0	16.0	0.8	ACA4SS
3/4"	20.0	8.5	0-16.0	16.0	1.5	ACA6SS
1"	25.0	18.0	0-16.0	16.0	2.2	ACA7SS
1-1/4"	32.0	38.0	0-16.0	16.0	3.2	ACA8SS
1-1/2"	40.0	40.0	0-16.0	16.0	3.5	ACA9SS
2"	50.0	55.0	0-16.0	16.0	7.0	ACA10SS

Pipe Size	L	H	W
1/2"	90	215	64
3/4"	90	225	64
1"	105	235	64
1-1/4"	120	235	64
1-1/2"	140	265	100
2"	150	275	100

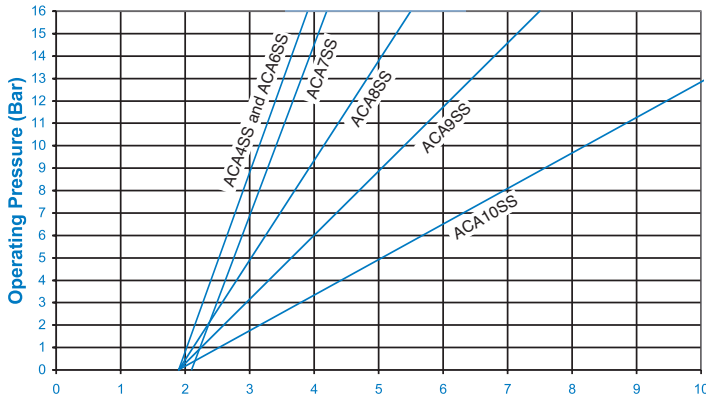
Alcon 31 Series can be supplied in various voltages:

12v, 24v, 48v, 110v DC
24v, 110v, 120v, 220v, 230v, 50/60Hz

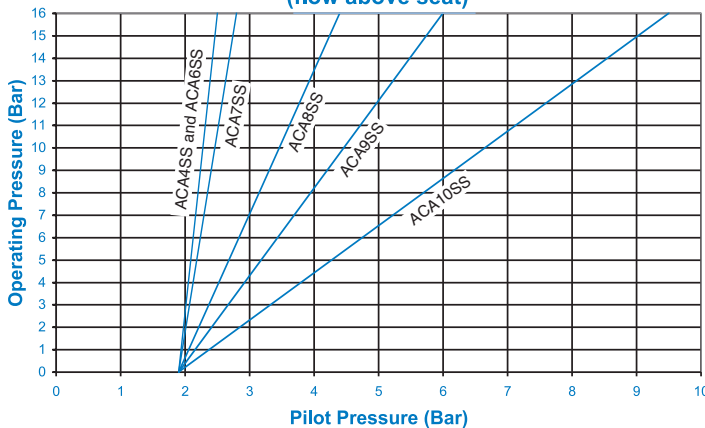
Pressure Charts



ACA Series Pressure Chart (flow below seat)



ACA Series Pressure Chart (flow above seat)



Shown with optional Namur valve piloting ACA.
(Consult factory for details)



North American Headquarters
Alcon North America
7 Centre Drive
Orchard Park, New York 14127
USA
Phone: 1-888-307-0708
Fax: 716-662-0406
www.alconsolenoids.com

Headquarters
Alcon IMC U.K. Limited
Patrick Gregory Road
West Midlands
WV 11 3DZ
United Kingdom
Tel: +44 (0) 1902 305678
Fax: +44 (0) 1902 305676
www.alconsolenoids.com