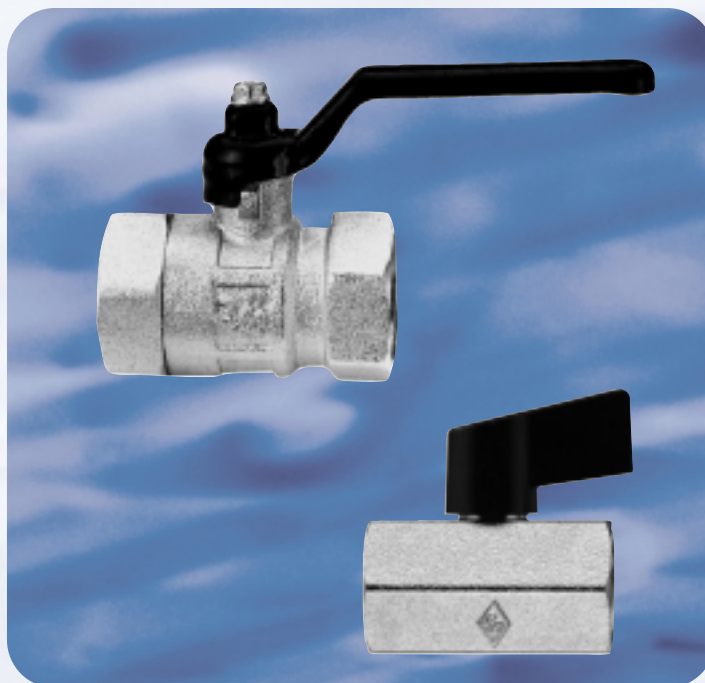


Ball Valves - Full Flow Design Series 2940, 2930

Ports 1/4", 3/8", 1/2", 3/4", 1", 1 1/4",
1 1/2", 2", 2 1/2", 3", 4", NPTF
Nickel-Plated (2040) and Plain Brass (2930)

Electroless Nickel-Plated: This plating offers excellent corrosion resistance, and is an FDA approved material, making the Camozzi ball valve suitable for food packaging, chemical processing, medical, dental, water treatment, and printing markets, in addition to standard application.



GENERAL DATA

Valve group	2/2, [way/positions]	
Construction	Ball valve	
Mounting	In-line	
Materials	Brass body [2930], Nickel-Plated brass body [2940], Zinc-plated steel handles [2940] Plastic handles [2930], Hardened chrome-plated brass ball, Teflon seat (P.T.F.E.)	
Threaded port sizes	1/8", 1/4", 3/8", 1/2" NPTF [2930] 1/4", 3/8", 1/2", 3/4", 1", 1-1/4", 1-1/2", 2" NPTF [2940]	
Installation	In-line	
Operating temperature	Series 2940 5° - 300°F Series 2930 5° - 300°F	
Fluid	Filtered air	

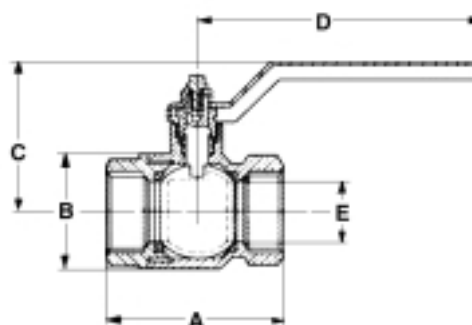
PNEUMATIC DATA

Working pressure	Series 2940: 1/4", 3/8", 1/2"	- 710 PSI	2-1/2"	- 260 PSI
	3/4", 1"	- 570 PSI	3"	- 230 PSI
	1-1/4", 1-1/2"	- 430 PSI	4"	- 200 PSI
	2"	- 360 PSI		
	Series 2930: 1/4", 3/8", 1/2"	- 220 PSI		
Nominal flow	Full flow design			

**Dimensions are in inches

Ball Valve, Series 2940

These valves are constructed of a electroless nickel-plated brass body, a steel handle, a hardened chrome-plated brass ball, and a teflon seat. These valves are suitable for industrial, pneumatic, hydraulic, and various domestic installations. Among the various types of compounds which can be transported through these valves are steam, gasoline, fuel, oils, kerosene, acids, and compressed air.



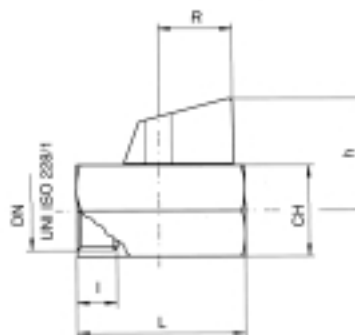
DIMENSIONS

Electroless Nickel-Plated						
Mod.	A	B	C	D	E	PSI
2940-1/4PT	1.880	.984	1.693	3.140	.394	710
2940-3/8PT	1.880	.984	1.693	3.150	.394	710
2940-1/2PT	2.047	1.259	1.692	3.149	.472	710
2940-3/4PT	2.205	1.260	1.732	4.330	.591	570
2940-1PT	2.600	1.654	2.402	4.449	.787	570
2940-1 1/4PT	2.913	1.969	2.560	4.449	.984	430
2940-1 1/2PT	3.228	2.323	3.071	5.433	1.260	430
2940-2PT	3.898	2.835	3.701	6.220	1.575	360
2940-2 1/2PT	5.040	3.819	4.410	7.677	2.126	260
2940-3PT	5.827	4.803	4.606	9.724	2.560	230
2940-4PT	6.693	5.630	5.157	9.724	3.150	200

Mini Ball Valve, Series 2930

These valves are constructed of all brass body, hardened chrome-plated brass ball, teflon seat, and light weight plastic handle.

Kv - Flow coefficient in M3/h @ 100kPa differential pressure (ΔP 14.5 psi)



DIMENSIONS

Economical Ball Valves								
Mod.	DN(NPTF)	CH	I	h	L	R	Kv(M ³ /h)	Kg
2930-1/8PT	1/8"	.857	.315	1.14	1.614	.807	4.3	0.11
2930-1/4PT	1/4"	.857	.394	1.14	1.614	.807	4.3	0.10
2930-3/8PT	3/8"	.857	.394	1.14	1.614	.807	2.7	0.09
2930-1/2PT	1/2"	.984	.433	1.22	1.811	.807	5.4	0.13