

Style "S"



1/2" Bore

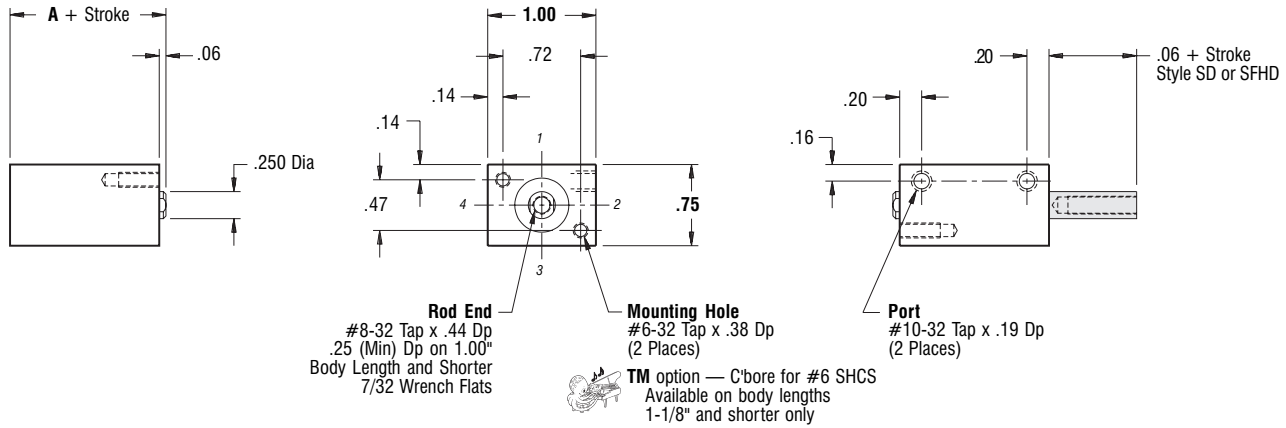
Non Magnetic Piston

Snap-Cap® Design

End Mount

Duty	Part Number		Stock Stroke Length	A
	Single Rod	Double Rod		
Standard	S12x__	SD12x__	1/8, 1/4, 3/8, 1/2, 5/8, 3/4, 7/8, 1, 1-1/8, 1-1/4, 1-3/8, 1-1/2, 1-5/8, 1-3/4, 1-7/8, 2	.69
Intermediate	SHH12x__		1/8, 1/4, 3/8, 1/2, 5/8, 3/4, 7/8, 1, 1-1/8, 1-1/4, 1-3/8, 1-1/2, 1-5/8, 1-3/4, 1-7/8, 2	.81
Heavy	SFH12x__	SFHD12x__	1/8, 1/4, 3/8, 1/2, 5/8, 3/4, 7/8, 1, 1-1/8, 1-1/4, 1-3/8, 1-1/2, 1-5/8, 1-3/4, 2	.94

Standard Mounting: **TF**
 Optional Mounting: **TR TBE TM**



1/2" Bore • 1/2" Bore • 1/2" Bore • 1/2" Bore • 1/2" Bore

Style "AS"



1/2" Bore

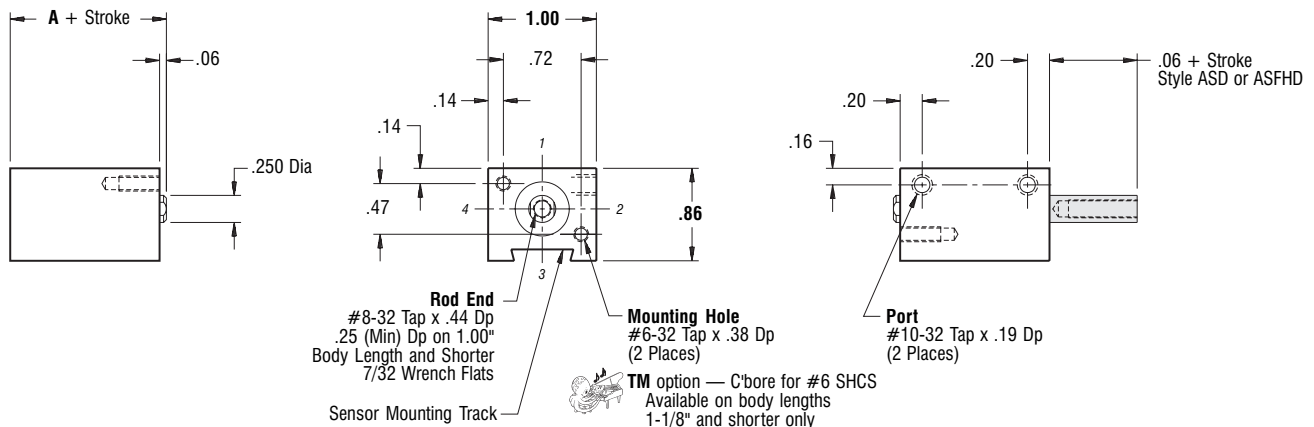
Magnetic Piston

Snap-Cap® Design

End Mount

Duty	Part Number		Stock Stroke Length	A
	Single Rod	Double Rod		
Standard	AS12x__	ASD12x__	1/8, 1/4, 3/8, 1/2, 5/8, 3/4, 7/8, 1, 1-1/8, 1-1/4, 1-3/8, 1-1/2, 1-5/8, 1-3/4, 2	.94
Intermediate	ASHH12x__		1/8, 1/4, 3/8, 1/2, 5/8, 3/4, 7/8, 1, 1-1/8, 1-1/4, 1-3/8, 1-1/2, 1-5/8, 1-7/8	1.06
Heavy	ASFH12x__	ASFHD12x__	1/8, 1/4, 3/8, 1/2, 5/8, 3/4, 7/8, 1, 1-1/8, 1-1/4, 1-3/8, 1-1/2, 1-3/4, 2	1.19

Standard Mounting: **TF**
 Optional Mounting: **TR TBE TM**



Due to physical size, body lengths 1-1/2" and shorter have only one sensor; Body length = A + stroke - .06. For modifications, consult factory.

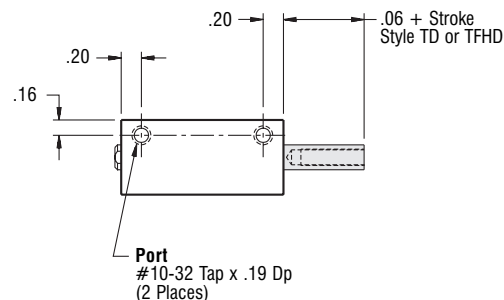
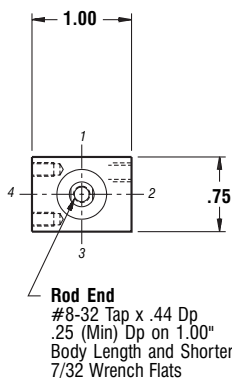
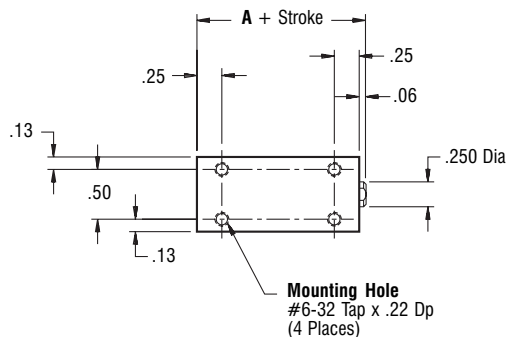


Non Magnetic Piston

1/2" Bore

Snap-Cap® Design

Duty	Part Number		Stock Stroke Length	A
	Single Rod	Double Rod		
Standard	T12x__	TD12x__	1/8, 1/4, 3/8, 1/2, 5/8, 3/4, 7/8, 1, 1-1/8, 1-1/4, 1-3/8, 1-1/2, 1-5/8, 1-3/4, 1-7/8, 2	.69
Intermediate	THH12x__		1/8, 1/4, 3/8, 1/2, 5/8, 3/4, 7/8, 1, 1-1/8, 1-1/4, 1-3/8, 1-1/2, 1-5/8, 1-3/4, 1-7/8, 2	.81
Heavy	TFH12x__	TFHD12x__	1/8, 1/4, 3/8, 1/2, 5/8, 3/4, 7/8, 1, 1-1/8, 1-1/4, 1-3/8, 1-1/2, 1-5/8, 1-3/4, 2	.94

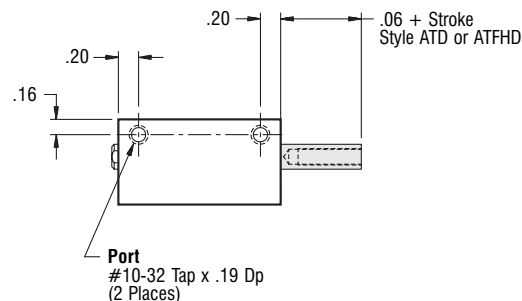
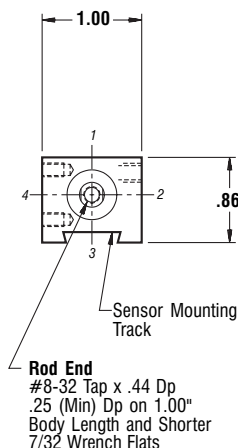
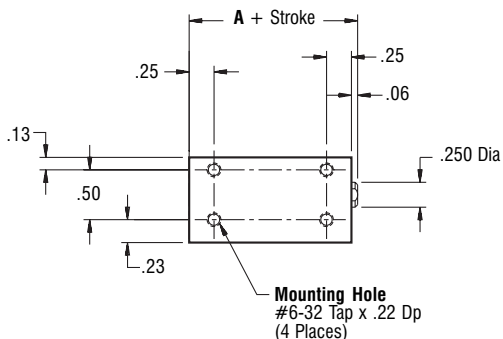


Magnetic Piston

1/2" Bore

Snap-Cap® Design

Duty	Part Number		Stock Stroke Length	A
	Single Rod	Double Rod		
Standard	AT12x__	ATD12x__	1/8, 1/4, 3/8, 1/2, 5/8, 3/4, 7/8, 1, 1-1/8, 1-1/4, 1-3/8, 1-1/2, 1-5/8, 1-3/4, 2	.94
Intermediate	ATHH12x__		1/8, 1/4, 3/8, 1/2, 5/8, 3/4, 7/8, 1, 1-1/8, 1-1/4, 1-3/8, 1-1/2, 1-5/8, 1-7/8	1.06
Heavy	ATFH12x__	ATFHD12x__	1/8, 1/4, 3/8, 1/2, 5/8, 3/4, 7/8, 1, 1-1/8, 1-1/4, 1-3/8, 1-1/2, 1-3/4, 2	1.19



Due to physical size, body lengths 1-1/2" and shorter have only one sensor; Body length = A + stroke - .06. For modifications, consult factory.

Part Number X

1/2" Bore • 1/2" Bore • 1/2" Bore • 1/2" Bore • 1/2" Bore • 1/2" Bore • 1/2" Bore • 1/2" Bore



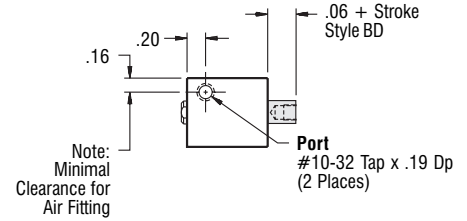
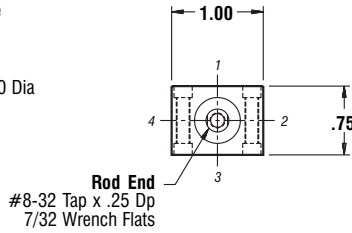
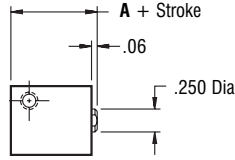
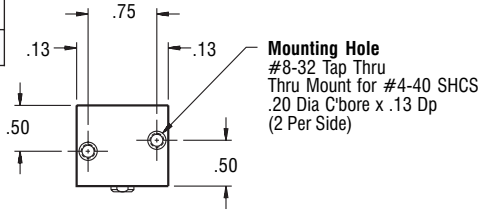
1/2" Bore

Non Magnetic Piston

Snap-Cap® Design

Part Number

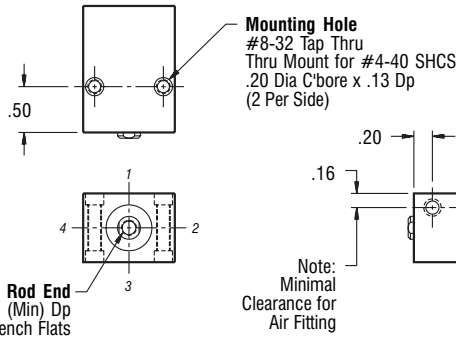
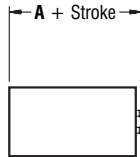
Duty	Single Rod	Double Rod	Stock Stroke Length	A
Standard	B12x__	BD12x__	1/8, 1/4	.69
Intermediate	BHH12x__		1/8	.81



Part Number

Duty	Single Rod	Double Rod	Stock Stroke Length	A
Standard	B12x__	BD12x__	3/8, 1/2, 5/8, 3/4, 7/8, 1, 1-1/8, 1-1/4	.69
Intermediate	BHH12x__		1/4, 3/8, 1/2, 5/8, 3/4, 7/8, 1, 1-1/8	.81
Heavy	BFH12x__	BFHD12x__	1/8, 1/4, 3/8, 1/2, 5/8, 3/4, 7/8, 1	.94

— Information same as above except where noted —

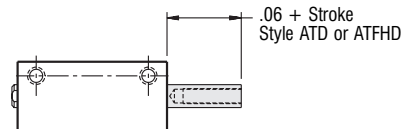
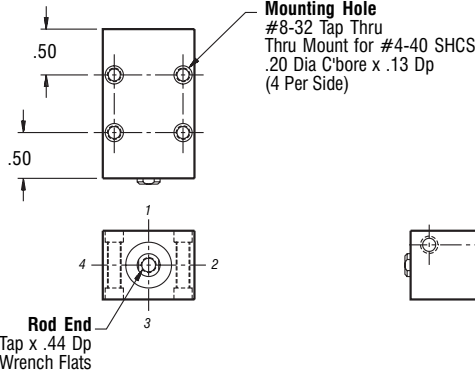
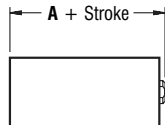


Note: Minimal Clearance for Air Fitting

Part Number

Duty	Single Rod	Double Rod	Stock Stroke Length	A
Standard	B12x__	BD12x__	1-3/8, 1-1/2, 1-5/8, 1-3/4, 1-7/8, 2	.69
Intermediate	BHH12x__		1-1/4, 1-3/8, 1-1/2, 1-5/8, 1-3/4, 1-7/8, 2	.81
Heavy	BFH12x__	BFHD12x__	1-1/8, 1-1/4, 1-3/8, 1-1/2, 1-5/8, 1-3/4, 2	.94

— Information same as above except where noted —





Non Magnetic Piston

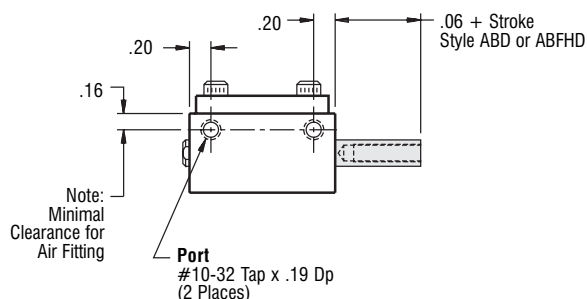
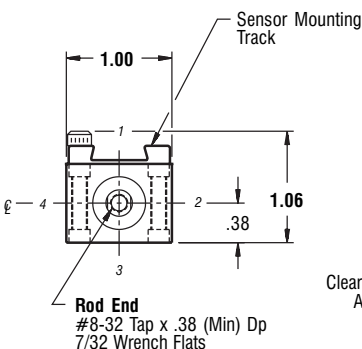
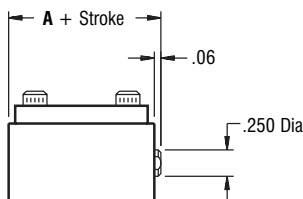
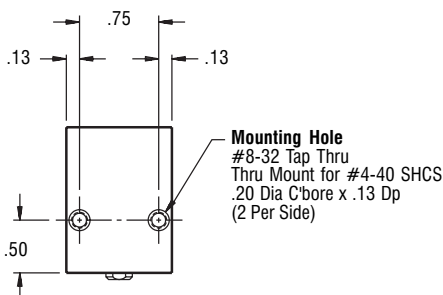
1/2" Bore

Snap-Cap® Design

	Part Number			
Duty	Single Rod	Double Rod	Stock Stroke Length	A
Standard	AB12x__	ABD12x__	1/8, 1/4, 3/8, 1/2, 5/8, 3/4, 7/8, 1	.94
Intermediate	ABHH12x__		1/8, 1/4, 3/8, 1/2, 5/8, 3/4, 7/8	1.06
Heavy	ABFH12x__	ABFHD12x__	1/8, 1/4, 3/8, 1/2, 5/8, 3/4	1.19

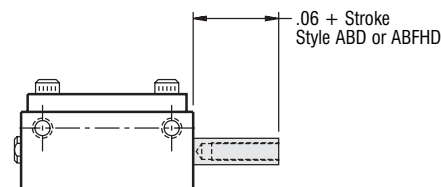
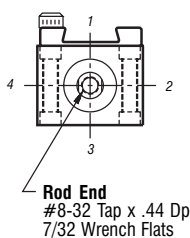
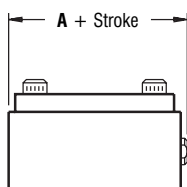
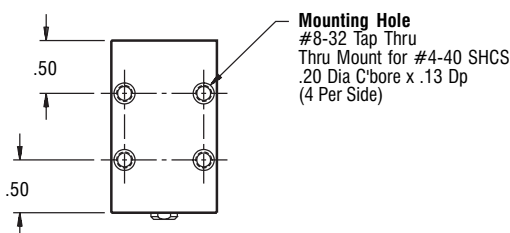


Due to physical size, body lengths 1-1/2" and shorter have only one sensor; Body length = A + stroke - .06. For modifications, consult factory.



	Part Number			
Duty	Single Rod	Double Rod	Stock Stroke Length	A
Standard	AB12x__	ABD12x__	1-1/8, 1-1/4, 1-3/8, 1-1/2, 1-5/8, 1-3/4, 2	.94
Intermediate	ABHH12x__		1, 1-1/8, 1-1/4, 1-3/8, 1-1/2, 1-5/8, 1-7/8	1.06
Heavy	ABFH12x__	ABFHD12x__	7/8, 1, 1-1/8, 1-1/4, 1-3/8, 1-1/2, 1-3/4, 2	1.19

— Information same as above except where noted —



Part Number X Stroke Options - See 'Options' section