

8mm Bore

Snap-Cap® Design

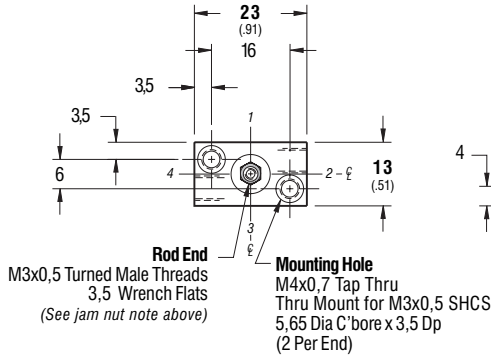
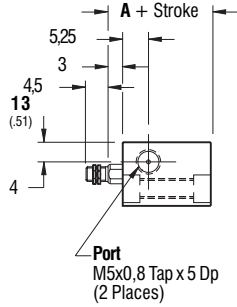
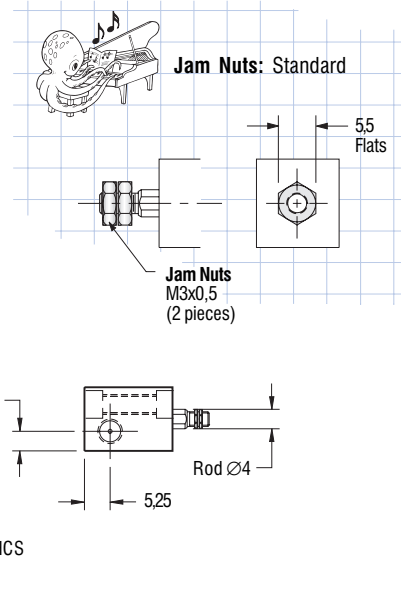
Non Magnetic and Magnetic Piston

| | |
|---|----------------------|
| <p>First Angle Projection</p> | <p>Double Acting</p> |
| <p>Fitting: 10-32 inch thread will fit and function in M5 port.</p> | |

| | | Part Number | | |
|---------------------|------------|---------------------|---|----|
| Duty | Single Rod | Stock Stroke Length | A | |
| Non Magnetic Piston | Standard | WS8x_____ | 5 | 16 |

Standard Mounting:

TF TR
TM TBE



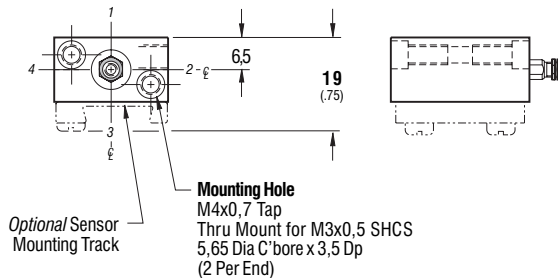
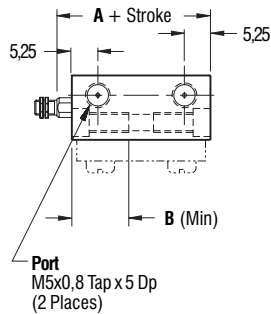
| | | Part Number | | |
|---------------------|--------------|---|---------|----------|
| Duty | Single Rod | Stock Stroke Length (in 5mm increments) | A | B |
| Non Magnetic Piston | Standard | WS8x_____ | 10 - 15 | 16, 9,5 |
| | Intermediate | WSHH8x_____ | 5 - 10 | 21, 9,5 |
| | Heavy | WSFH8x_____ | 5 | 26, 9,5 |
| Magnetic Piston | Standard | AWS8x_____ | 5 | 26, 11,5 |

Standard Mounting:

TF TR TM TBE

This stroke length allows only one sensor.

—Information same as above except where noted—



| | | Part Number | | |
|---------------------|--------------|---|---------|----|
| Duty | Single Rod | Stock Stroke Length (in 5mm increments) | A | |
| Non Magnetic Piston | Standard | WS8x_____ | 20 - 25 | 16 |
| | Intermediate | WSHH8x_____ | 15 - 30 | 21 |
| | Heavy | WSFH8x_____ | 10 - 40 | 26 |
| Magnetic Piston | Standard | AWS8x_____ | 10 - 25 | 26 |
| | Intermediate | AWSHH8x_____ | 5 - 30 | 31 |
| | Heavy | AWSFH8x_____ | 5 - 30 | 36 |

Standard Mounting: TF

Optional Mounting: Specify suffix

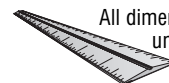
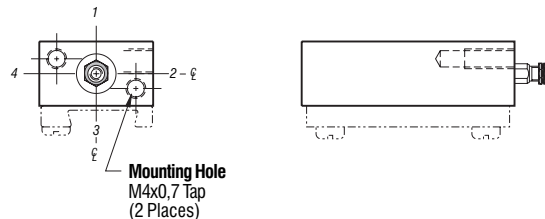
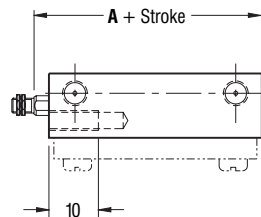
TR TBE TM*

*38mm body length and shorter

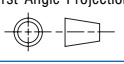
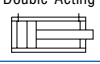
Body lengths 42mm and shorter allow only one sensor.




—Information same as above except where noted—





First Angle Projection  Double Acting 

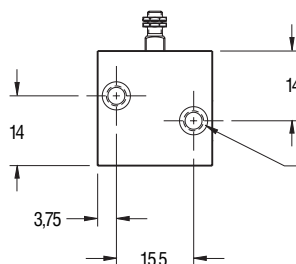
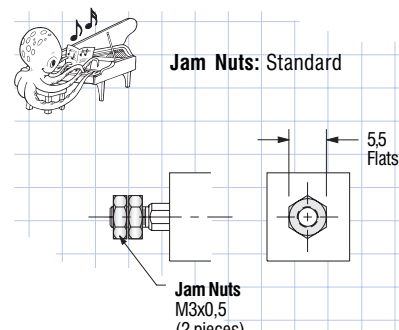
 **Fitting:** 10-32 inch thread will fit and function in M5 port.

Snap-Cap® Design

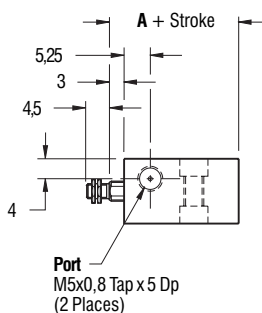
8mm Bore

Non Magnetic and Magnetic Piston

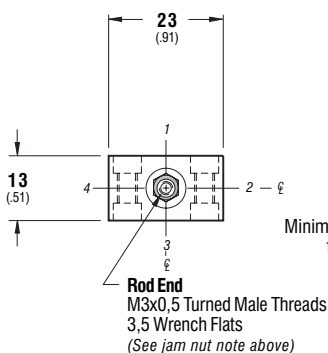
| | | Part Number | | |
|---------------------|--------------|--|--------|----|
| Duty | Single Rod | Stock Stroke Length (in 5mm increments) | A | |
| Non Magnetic Piston | Standard | WB8x____ | 5 - 10 | 16 |
| | Intermediate | WBHH8x____ | 5 | 21 |



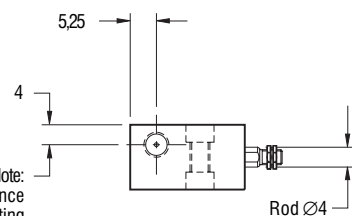
Mounting Hole
M4x0,7 Tap Thru
Thru Mount for M3x0,5 SHCS
5,65 Dia C' bore x 3,5 Dp
(2 Per Side)



Port
M5x0,8 Tap x 5 Dp
(2 Places)

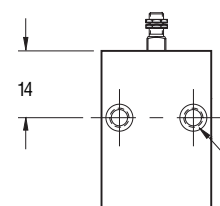


Note:
Minimal Clearance
for Air Fitting

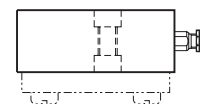
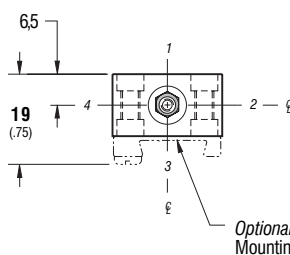
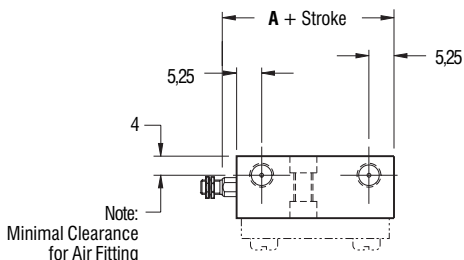


| | | Part Number | | |
|---------------------|--------------|--|---------|----|
| Duty | Single Rod | Stock Stroke Length (in 5mm increments) | A | |
| Non Magnetic Piston | Standard | WB8x____ | 15 - 25 | 16 |
| | Intermediate | WBHH8x____ | 10 - 30 | 21 |
| | Heavy | WBFH8x____ | 5 - 40 | 26 |
| Magnetic Piston | Standard | AWB8x____ | 5 - 25 | 26 |
| | Intermediate | AWBHH8x____ | 5 - 30 | 31 |
| | Heavy | AWBFH8x____ | 5 - 30 | 36 |

—Information same as above except where noted—



Mounting Hole
M4x0,7 Tap Thru
Thru Mount for M3x0,5 SHCS
5,65 Dia C' bore x 3,5 Dp
(2 Per Side)



All dimensions are in millimeters unless otherwise noted.



Part Number

Stroke

Option - See 'Accessories' section

8mm Bore • 8mm Bore • 8mm Bore • 8mm Bore • 8mm Bore • 8mm Bore



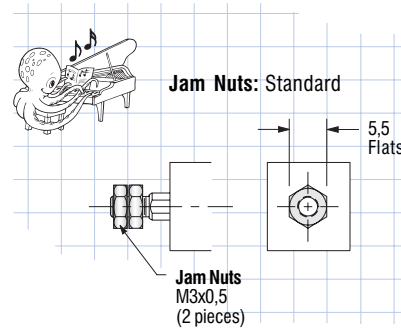
8mm Bore

Snap-Cap® Design

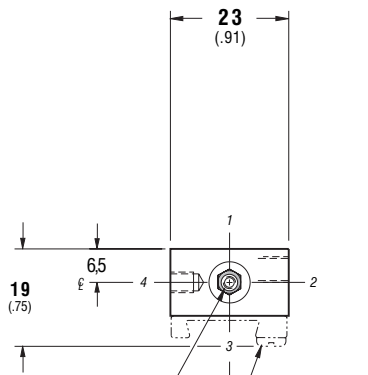
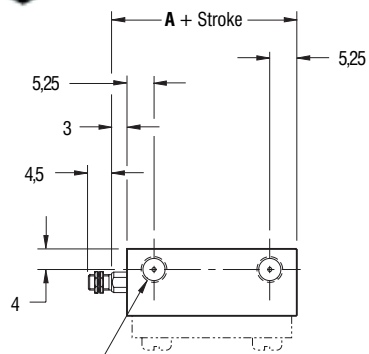
Non Magnetic and Magnetic Piston

| | |
|---|----------------------|
| <p>First Angle Projection</p> | <p>Double Acting</p> |
| <p>Fitting: 10-32 inch thread will fit and function in M5 port.</p> | |

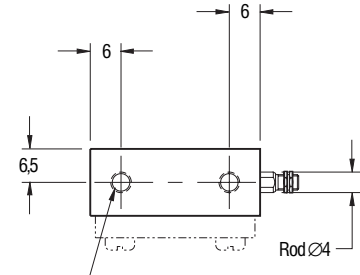
| | | Part Number | | |
|---------------------|--------------|--------------|--|----|
| Duty | | Single Rod | Stock Stroke Length (in 5mm increments) | A |
| Non Magnetic Piston | Standard | WT8x_____ | 10 - 25 | 16 |
| | Intermediate | WTHH8x_____ | 5 - 30 | 21 |
| | Heavy | WTFH8x_____ | 5 - 40 | 26 |
| Magnetic Piston | Standard | AWT8x_____ | 5 - 25 | 26 |
| | Intermediate | AWTHH8x_____ | 5 - 30 | 31 |
| | Heavy | AWTFH8x_____ | 5 - 30 | 36 |



Body lengths 42mm and shorter allow only one sensor.



Rod End
M3x0,5 Turned Male Threads
3,5 Wrench Flats
(See jam nut note above)



Mounting Hole
M4x0,7 Tap x 4,5 Dp
(2 Places)

Port
M5x0,8 Tap x 5 Dp
(2 Places)

8mm Bore • 8mm Bore • 8mm Bore • 8mm Bore • 8mm Bore • 8mm Bore • 8mm Bore • 8mm Bore • 8mm Bore • 8mm Bore