

1-1/8" Bore

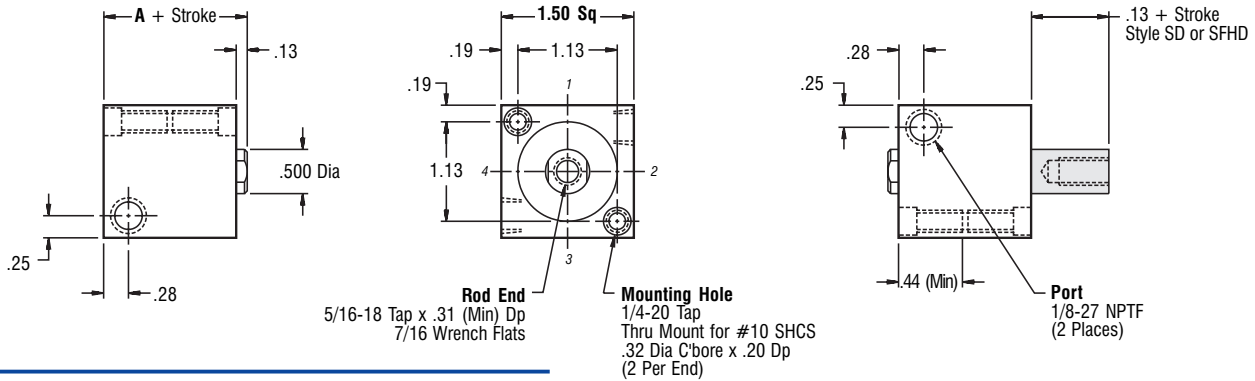
Non Magnetic Piston

1-1/8" Bore • 1-1/8" Bore • 1-1/8" Bore • 1-1/8" Bore • 1-1/8" Bore

Part Number

Duty	Single Rod	Double Rod	Stock Stroke Length	A
Standard	S118x__	SD118x__	1/8, 1/4, 3/8, 1/2, 5/8, 3/4	.88
Intermediate	SHH118x__		1/8, 1/4, 3/8, 1/2	1.13
Heavy	SFH118x__	SFHD118x__	1/8, 1/4	1.38

Standard Mounting:
TF TR TBE TM

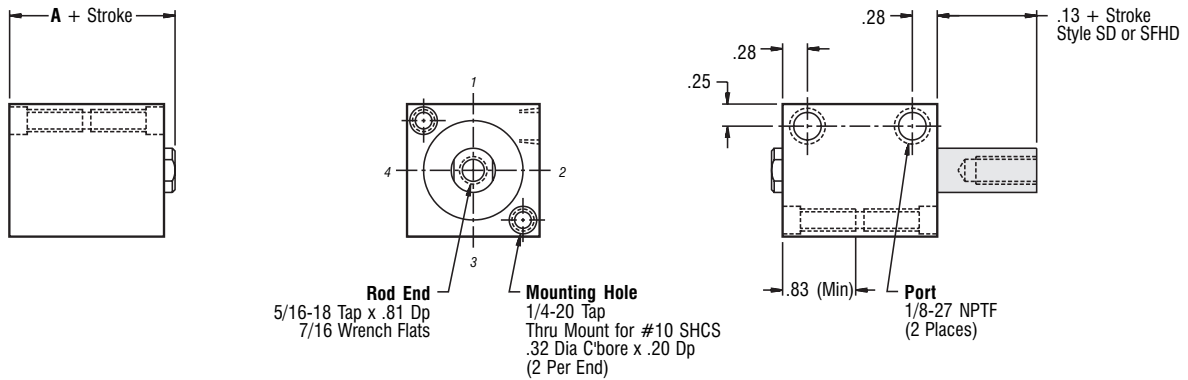


Part Number

Duty	Single Rod	Double Rod	Stock Stroke Length	A
Standard	S118x__	SD118x__	7/8, 1	.88
Intermediate	SHH118x__		5/8, 3/4	1.13
Heavy	SFH118x__	SFHD118x__	3/8, 1/2	1.38

Standard Mounting:
TF TR TBE TM

— Information same as above except where noted —

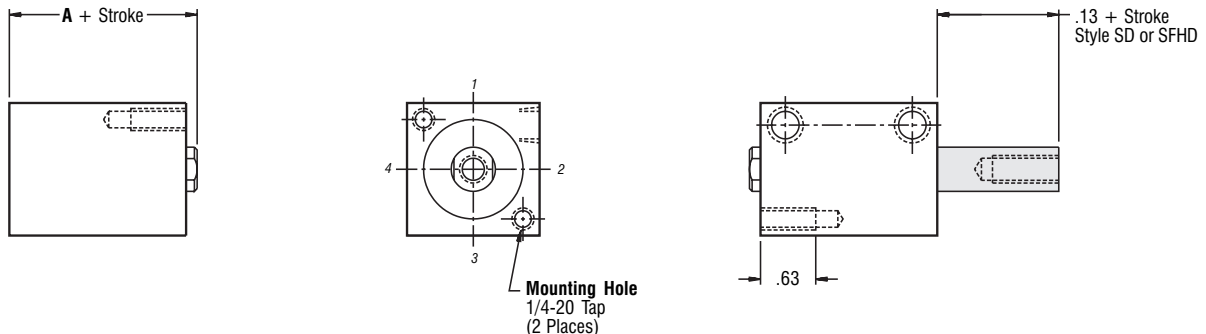


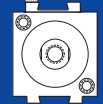
Part Number

Duty	Single Rod	Double Rod	Stock Stroke Length	A
Standard	S118x__	SD118x__	1-1/4, 1-1/2, 1-3/4, 2, 2-1/2, 3, 3-1/2, 4	.88
Intermediate	SHH118x__		1, 1-1/4, 1-1/2, 1-3/4, 2-1/4, 2-3/4, 3-1/4, 3-3/4	1.13
Heavy	SFH118x__	SFHD118x__	3/4, 1, 1-1/4, 1-1/2, 2, 2-1/2, 3, 3-1/2, 4	1.38

Standard Mounting: TF
Optional Mounting: TR TBE TM

— Information same as above except where noted —





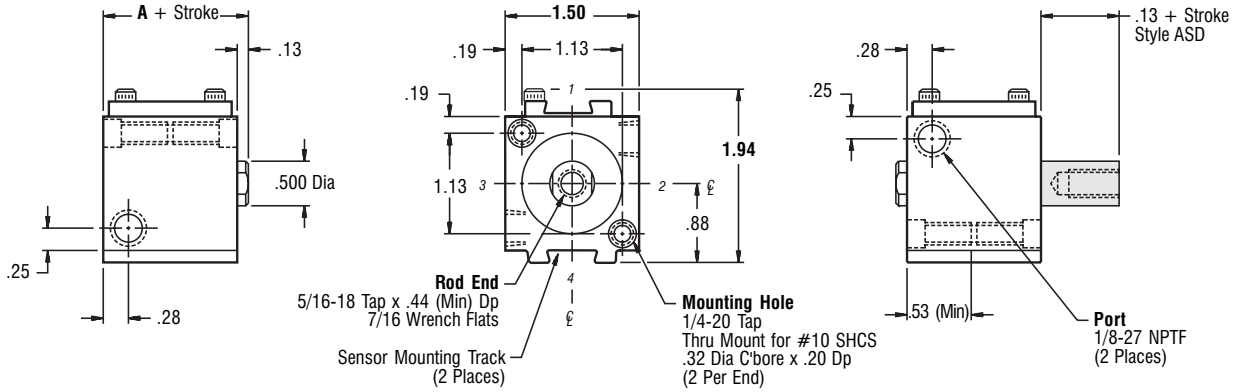
Magnetic Piston

1-1/8" Bore

1-1/8" Bore • 1-1/8" Bore • 1-1/8" Bore • 1-1/8" Bore • 1-1/8" Bore

Part Number		Stock Stroke Length	A
Duty	Single Rod Double Rod		
Standard	AS118x__ ASD118x__	1/8, 1/4, 3/8, 1/2	1.13
Intermediate	ASHH118x__	1/8, 1/4	1.38

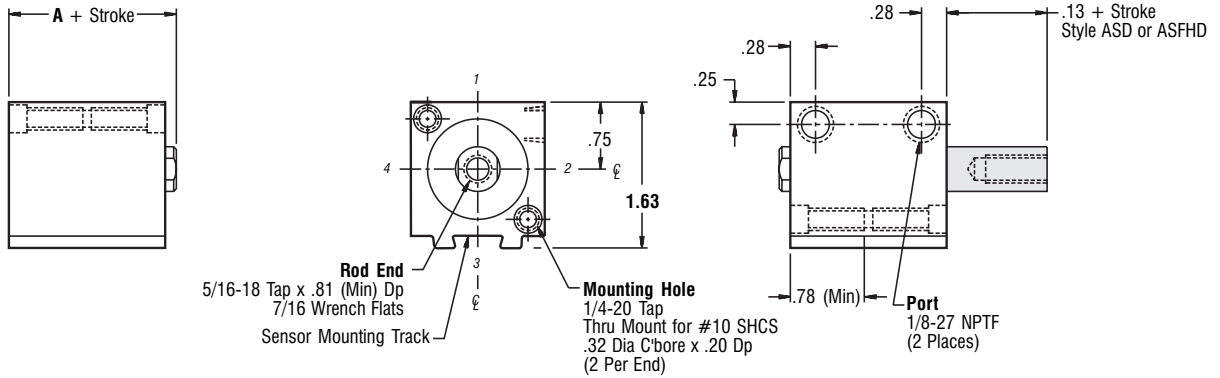
Standard Mounting:
TF TR TBE TM



Part Number		Stock Stroke Length	A
Duty	Single Rod Double Rod		
Standard	AS118x__ ASD118x__	5/8, 3/4	1.13
Intermediate	ASHH118x__	3/8, 1/2	1.38
Heavy	ASFH118x__ ASFHD118x__	1/8, 1/4	1.63

Standard Mounting:
TF TR TBE TM

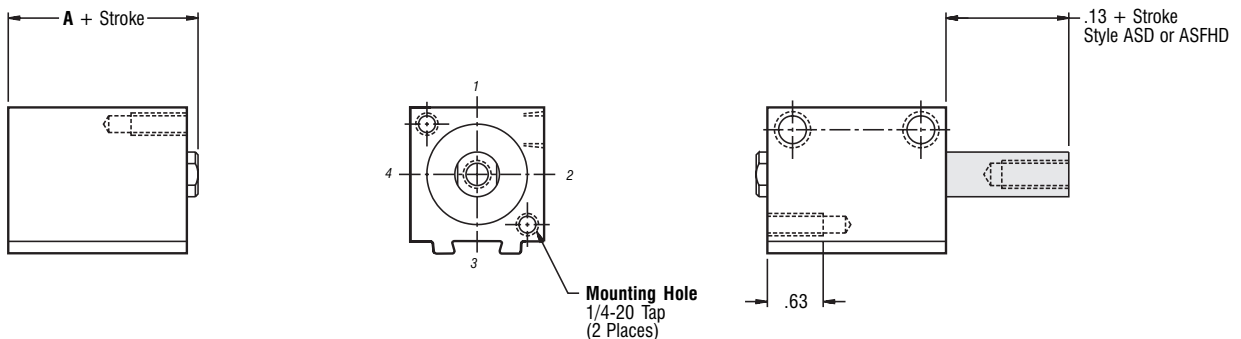
— Information same as above except where noted —



Part Number		Stock Stroke Length	A
Duty	Single Rod Double Rod		
Standard	AS118x__ ASD118x__	1, 1-1/4, 1-1/2, 1-3/4, 2-1/4, 2-3/4, 3-1/4, 3-3/4	1.13
Intermediate	ASHH118x__	3/4, 1, 1-1/4, 1-1/2, 2, 2-1/2, 3, 3-1/2, 4	1.38
Heavy	ASFH118x__ ASFHD118x__	1/2, 3/4, 1, 1-1/4, 1-3/4, 2-1/4, 2-3/4, 3-1/4, 3-3/4	1.63

Standard Mounting: TF
Optional Mounting: TR TBE TM

— Information same as above except where noted —



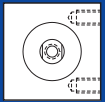
Part Number X

COMPACT® Inch Cylinders

Part Number

Stroke

Options - See 'Options' section



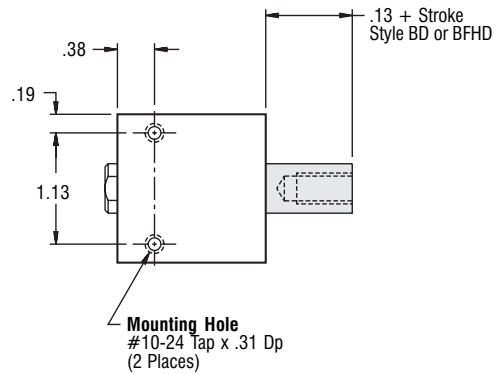
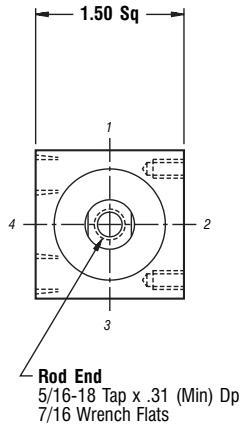
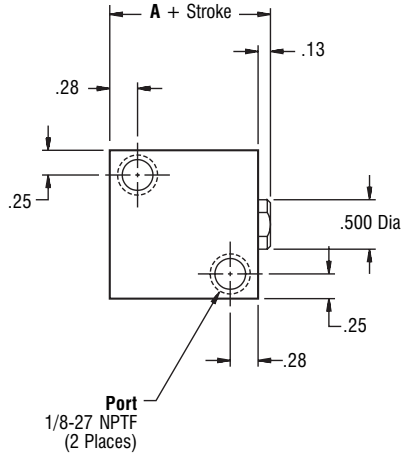
1-1/8" Bore

Non Magnetic Piston

1-1/8" Bore • 1-1/8" Bore • 1-1/8" Bore • 1-1/8" Bore • 1-1/8" Bore

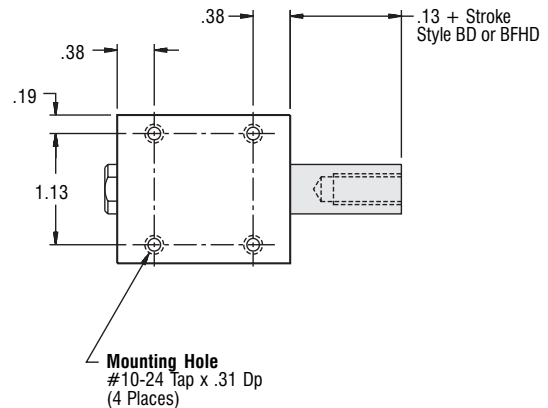
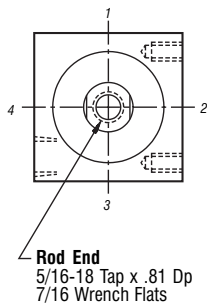
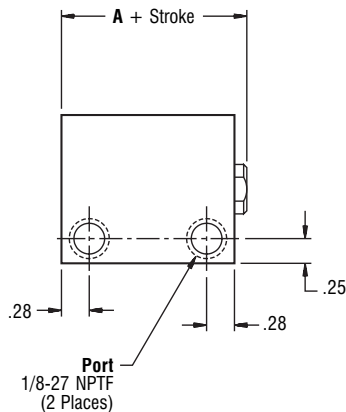
	Part Number			
Duty	Single Rod	Double Rod	Stock Stroke Length	A
Standard	B118x __	BD118x __	1/8, 1/4, 3/8, 1/2, 5/8, 3/4	.88
Intermediate	BHH118x __		1/8, 1/4, 3/8, 1/2	1.13
Heavy	BFH118x __	BFHD118x __	1/8, 1/4	1.38

Port Orientation:
(Introduction Section)
Threads Port Side

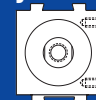


	Part Number			
Duty	Single Rod	Double Rod	Stock Stroke Length	A
Standard	B118x __	BD118x __	7/8, 1, 1-1/4, 1-1/2, 1-3/4, 2, 2-1/2, 3, 3-1/2, 4	.88
Intermediate	BHH118x __		5/8, 3/4, 1, 1-1/4, 1-1/2, 1-3/4, 2-1/4, 2-3/4, 3-1/4, 3-3/4	1.13
Heavy	BFH118x __	BFHD118x __	3/8, 1/2, 3/4, 1, 1-1/4, 1-1/2, 2, 2-1/2, 3, 3-1/2, 4	1.38

Port Orientation:
(Introduction Section)
Threads Port Side



— Information same as above except where noted —



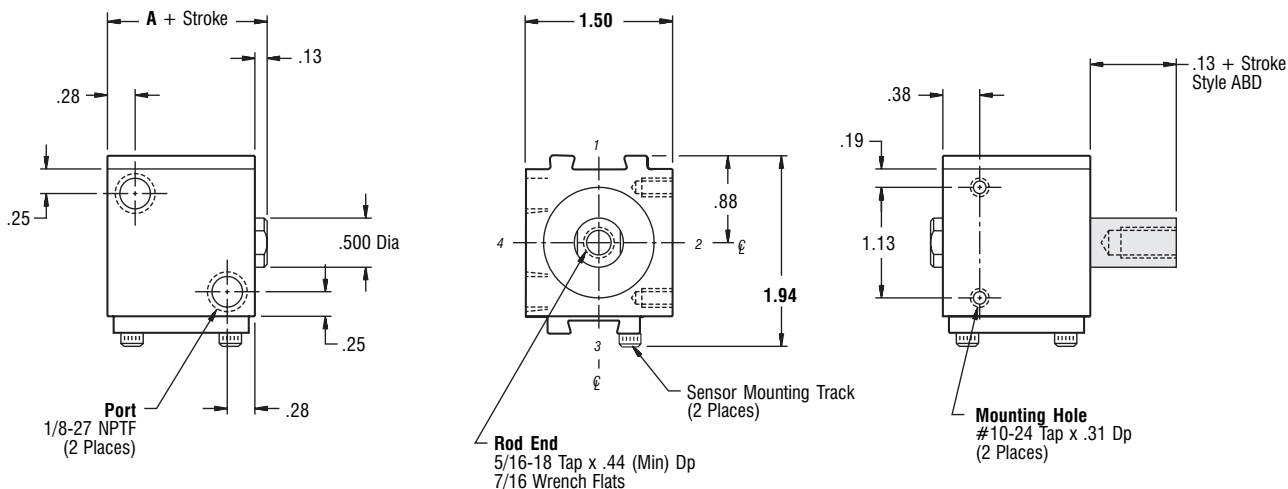
Magnetic Piston

1-1/8" Bore

1-1/8" Bore • 1-1/8" Bore • 1-1/8" Bore • 1-1/8" Bore • 1-1/8" Bore • 1-1/8" Bore

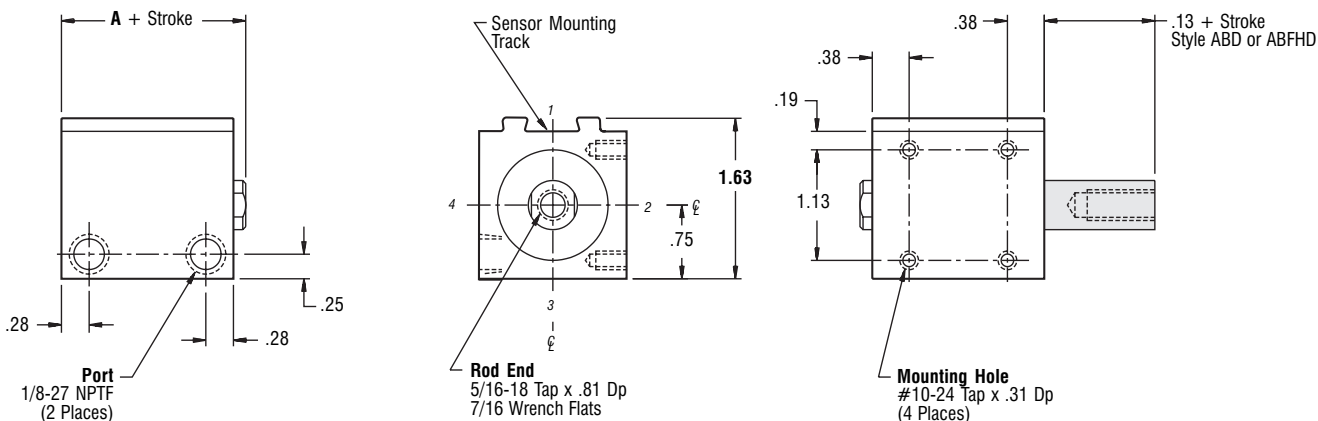
Duty	Part Number		Stock Stroke Length	A
	Single Rod	Double Rod		
Standard	AB118x__	ABD118x__	1/8, 1/4, 3/8, 1/2	1.13
Intermediate	ABHH118x__		1/8, 1/4	1.38

Port Orientation:
(Introduction Section)
Threads Port Side



Duty	Part Number		Stock Stroke Length	A
	Single Rod	Double Rod		
Standard	AB118x__	ABD118x__	5/8, 3/4, 1, 1-1/4, 1-1/2, 1-3/4, 2-1/4, 2-3/4, 3-1/4, 3-3/4	1.13
Intermediate	ABHH118x__		3/8, 1/2, 3/4, 1, 1-1/4, 1-1/2, 2, 2-1/2, 3, 3-1/2, 4	1.38
Heavy	ABFH118x__	ABFHD118x__	1/8, 1/4, 1/2, 3/4, 1, 1-1/4, 1-3/4, 2-1/4, 2-3/4, 3-1/4, 3-3/4	1.63

Port Orientation:
(Introduction Section)
Threads Port Side



— Information same as above except where noted —

X



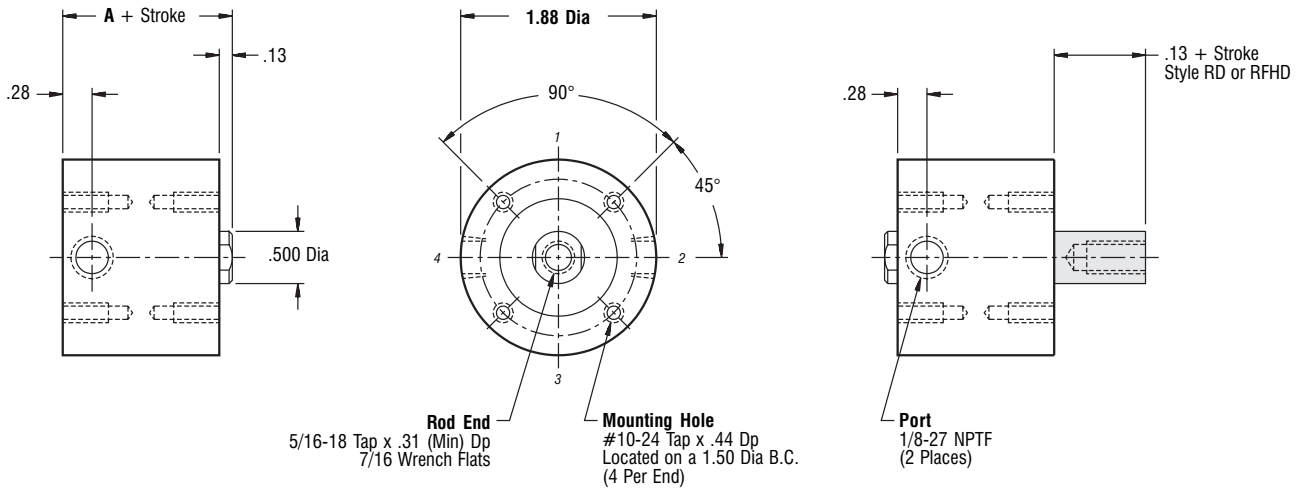
1-1/8" Bore

Non Magnetic Piston

1-1/8" Bore • 1-1/8" Bore • 1-1/8" Bore • 1-1/8" Bore

Part Number		Stock Stroke Length	A
Duty	Single Rod Double Rod		
Standard	R118x__ RD118x__	1/8, 1/4, 3/8, 1/2, 5/8, 3/4	.88
Intermediate	RHH118x__	1/8, 1/4, 3/8, 1/2	1.13
Heavy	RFH118x__ RFHD118x__	1/8, 1/4	1.38

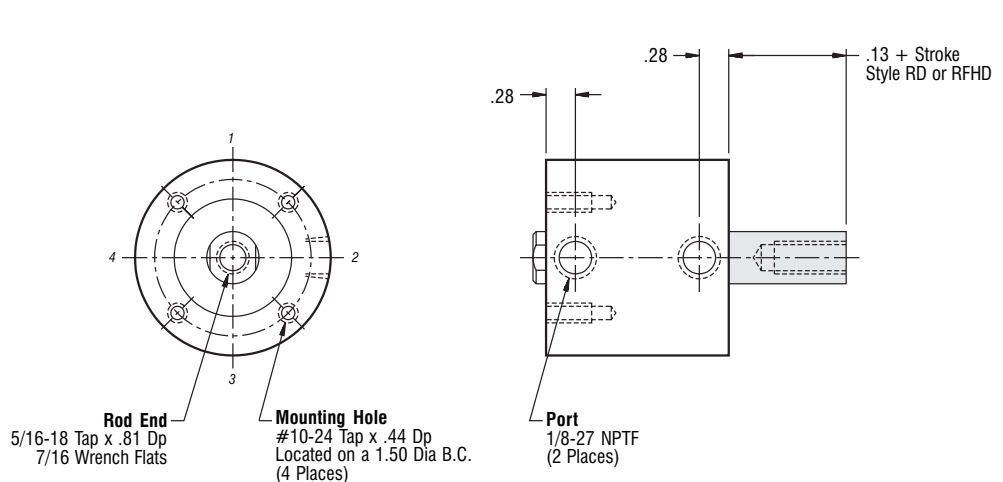
Standard Mounting: **TF TR TBE**
Optional Mounting: **TM**



Part Number		Stock Stroke Length	A
Duty	Single Rod Double Rod		
Standard	R118x__ RD118x__	7/8, 1, 1-1/4, 1-1/2, 1-3/4, 2, 2-1/2, 3, 3-1/2, 4	.88
Intermediate	RHH118x__	5/8, 3/4, 1, 1-1/4, 1-1/2, 1-3/4, 2-1/4, 2-3/4, 3-1/4, 3-3/4	1.13
Heavy	RFH118x__ RFHD118x__	3/8, 1/2, 3/4, 1, 1-1/4, 1-1/2, 2, 2-1/2, 3, 3-1/2, 4	1.38

Standard Mounting: **TF TR TBE TM**
Optional Mounting: **TR TBE TM**

— Information same as above except where noted —





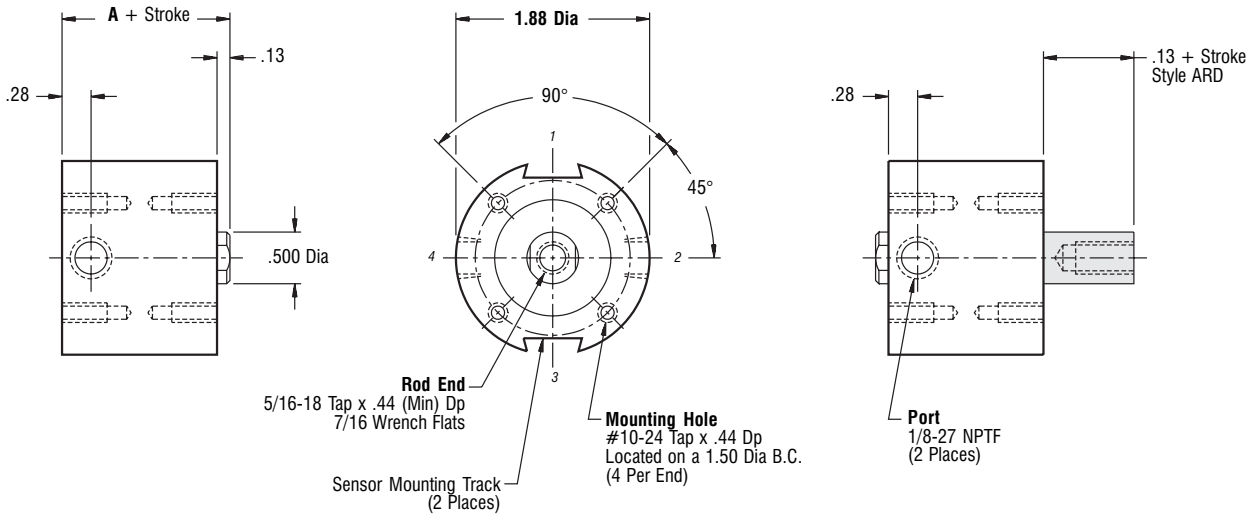
Magnetic Piston

1-1/8" Bore

1-1/8" Bore • 1-1/8" Bore • 1-1/8" Bore • 1-1/8" Bore • 1-1/8" Bore • 1-1/8" Bore

Part Number		Stock Stroke Length	A	
Duty	Single Rod			Double Rod
Standard	AR118x__	ARD118x__	1/8, 1/4, 3/8, 1/2	1.13
Intermediate	ARHH118x__		1/8, 1/4	1.38

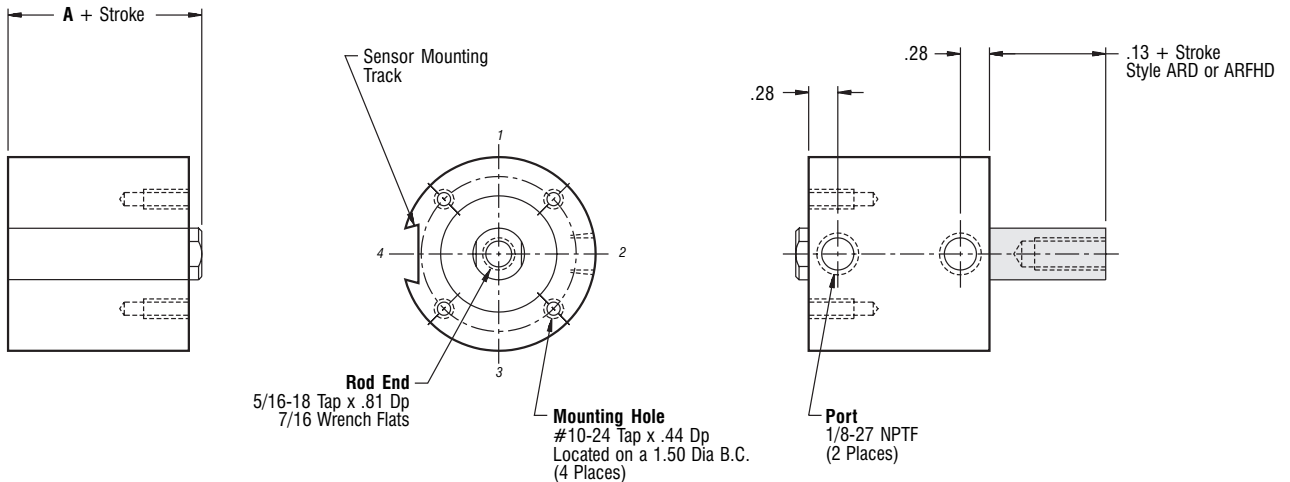
Standard Mounting: **TF TR TBE**
Optional Mounting: **TM**



Part Number		Stock Stroke Length	A	
Duty	Single Rod			Double Rod
Standard	AR118x__	ARD118x__	5/8, 3/4, 1, 1-1/4, 1-1/2, 1-3/4, 2-1/4, 2-3/4, 3-1/4, 3-3/4	1.13
Intermediate	ARHH118x__		3/8, 1/2, 3/4, 1, 1-1/4, 1-1/2, 2, 2-1/2, 3, 3-1/2, 4	1.38
Heavy	ARFH118x__	ARFHD118x__	1/8, 1/4, 1/2, 3/4, 1, 1-1/4, 1-3/4, 2-1/4, 2-3/4, 3-1/4, 3-3/4	1.63

Standard Mounting: **TF**
Optional Mounting: **TR TBE TM**

— Information same as above except where noted —



X
 Part Number Stroke Options - See 'Options' section