

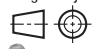


# 12mm Bore

# BSC2000 Series

End Mount

First Angle Projection



Double Acting

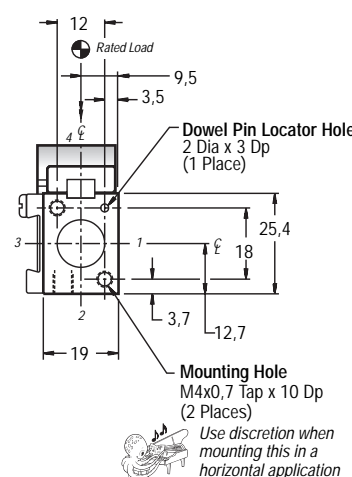
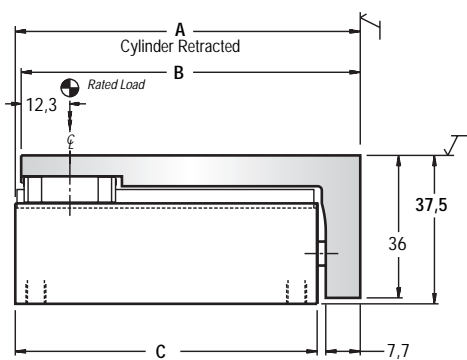
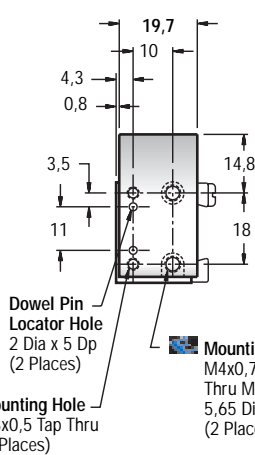
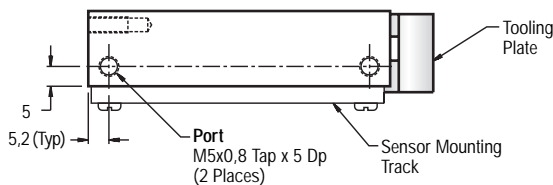


Fittings: 10-32 inch thread fitting will fit and function in M5 port. Available factory installed.

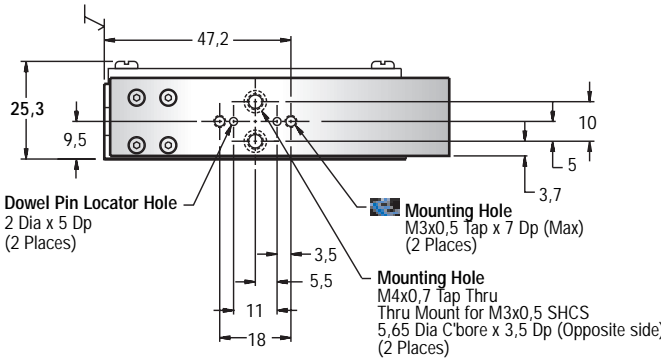


Dowel Pin Locator Holes are designed for location and additional shear strength.

Part Number	Stock Stroke Length (mm)	A	B	C
BSC2S12x__	2,5 5 7,5 10 12,5 15	52	50,5	41
BSC2S12x__	17,5 20 22,5 25 27,5 30	67	65,5	56
BSC2S12x__	32,5 35 37,5 40 42,5 45 47,5 50	87	85,5	76



This view shown below



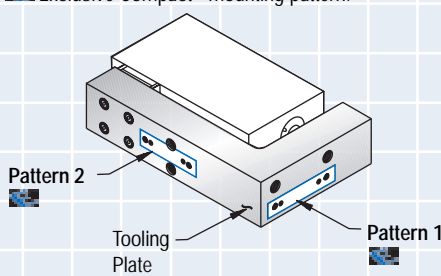
## Easy Multi-Axis Assemblies

Exclusive Compact® mounting pattern.

Both surfaces on the plate have mounting patterns:

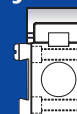
**Pattern 1:** Adapts to a Compact® BSC1000 Series mounting platform - or - a BSC2000 Series, Style 'B' cylinder, both of the same bore size. Also can be used for general purpose mounting.

**Pattern 2:** Adapts to a Compact® BSC2000 Series, Style 'B' cylinder of the same bore size. Also can be used for general purpose mounting.



All dimensions shown in millimeters unless otherwise noted.

BSC2000 Series 12mm Bore • 12mm Bore • 12mm Bore • 12mm Bore



First Angle Projection



Double Acting



# BSC2000 Series

# 12mm Bore

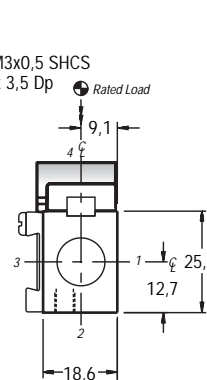
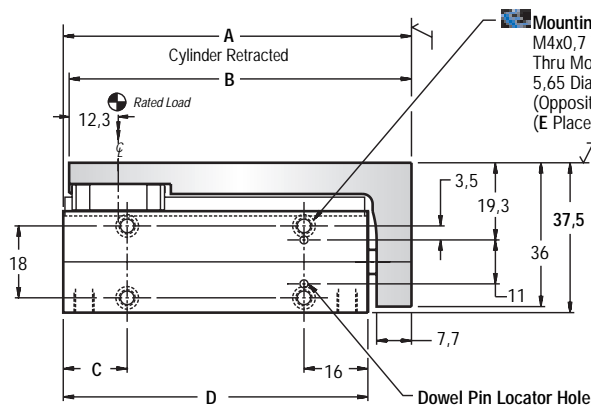
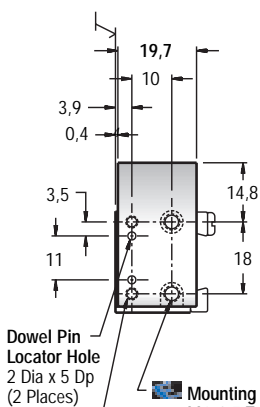
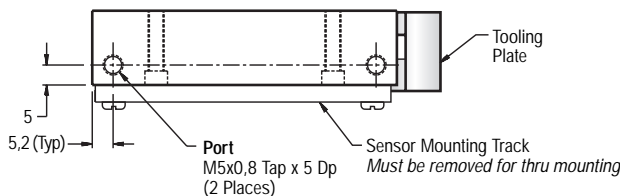
Fittings: 10-32 inch thread fitting will fit and function in M5 port. Available factory installed.



Dowel Pin Locator Holes are designed for location and additional shear strength.

BSC2000 Series

Part Number	Stock Stroke Length (mm)	A	B	C	D	E
BSC2B12x__	2,5 5 7,5 10 12,5 15	52	50,5	—	41	2
BSC2B12x__	17,5 20 22,5 25 27,5 30	67	65,5	16	56	4
BSC2B12x__	32,5 35 37,5 40 42,5 45 47,5 50	87	85,5	16	76	4

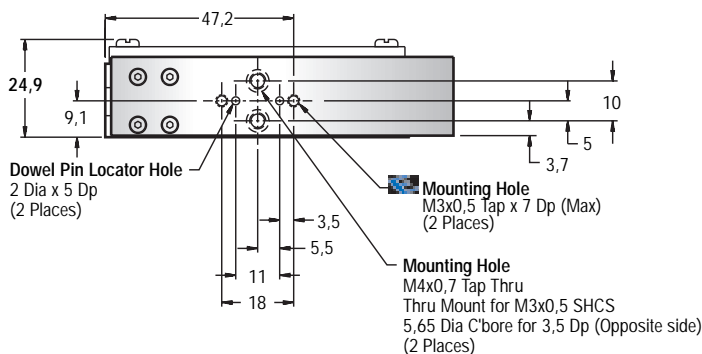


**Mounting Hole**  
M3x0,5 Tap Thru  
(2 Places)

**Mounting Hole**  
M4x0,7 Tap Thru  
Thru Mount for M3x0,5 SHCS  
5,65 Dia C'bore x 2,5 Dp (Opposite side)  
(2 Places)

**Dowel Pin Locator Hole**  
2 Dia x 5 Dp  
(2 Places)

This view shown below



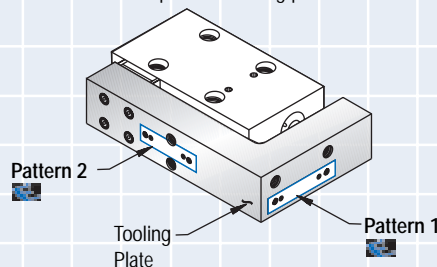
## Easy Multi-Axis Assemblies

Exclusive Compact® mounting pattern.

Both surfaces on the plate have mounting patterns:

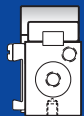
**Pattern 1:** Adapts to a Compact® BSC1000 Series mounting platform - or - a BSC2000 Series, Style 'B' cylinder, both of the same bore size. Also can be used for general purpose mounting.

**Pattern 2:** Adapts to a Compact® BSC2000 Series, Style 'B' cylinder of the same bore size. Also can be used for general purpose mounting.



All dimensions shown in millimeters unless otherwise noted.

12mm Bore • 12mm Bore • 12mm Bore • 12mm Bore

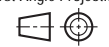


# 12mm Bore

# BSC2000 Series

Thin Mount

First Angle Projection



Double Acting

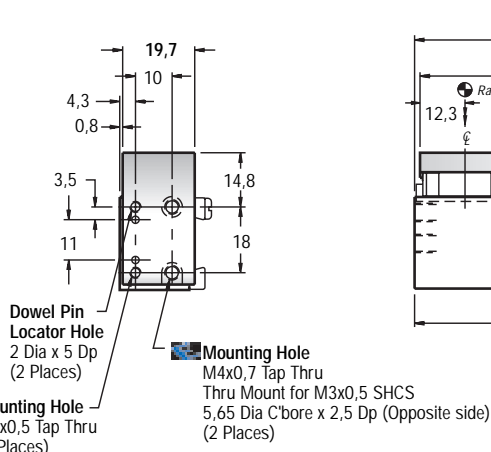
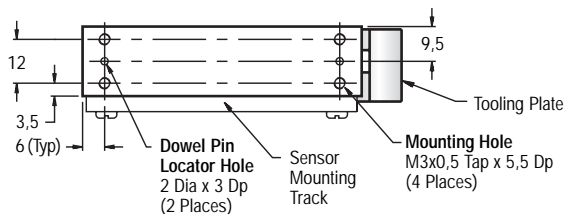


Fittings: 10-32 inch thread fitting will fit and function in M5 port. Available factory installed.

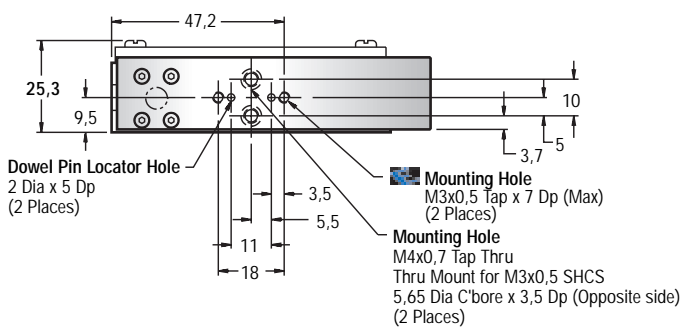
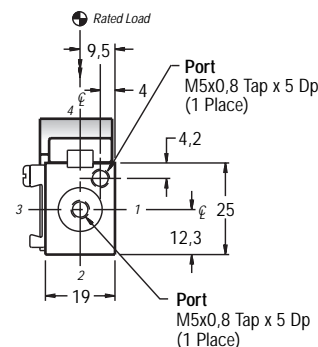
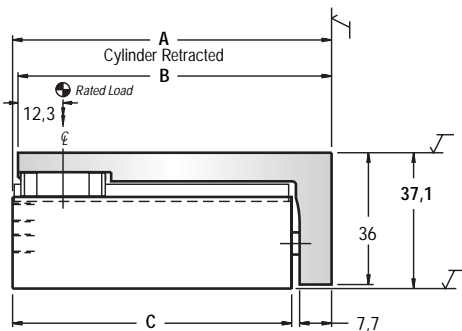


Dowel Pin Locator Holes are designed for location and additional shear strength.

Part Number	Stock Stroke Length (mm)	A	B	C
BSC2T12x___	2,5 5 7,5 10 12,5 15	52	50,5	41
BSC2T12x___	17,5 20 22,5 25 27,5 30	67	65,5	56
BSC2T12x___	32,5 35 37,5 40 42,5 45 47,5 50	87	85,5	76



This view shown below



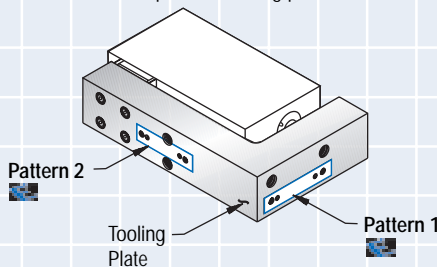
## Easy Multi-Axis Assemblies

Exclusive Compact® mounting pattern.

Both surfaces on the plate have mounting patterns:

**Pattern 1:** Adapts to a Compact® BSC1000 Series mounting platform - or - a BSC2000 Series, Style 'B' cylinder, both of the same bore size. Also can be used for general purpose mounting.

**Pattern 2:** Adapts to a Compact® BSC2000 Series, Style 'B' cylinder of the same bore size. Also can be used for general purpose mounting.



All dimensions shown in millimeters unless otherwise noted.