



First Angle Projection Double Acting

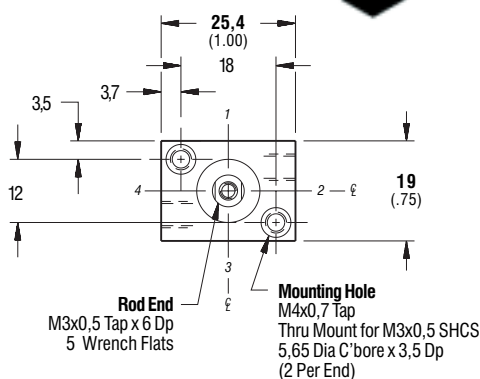
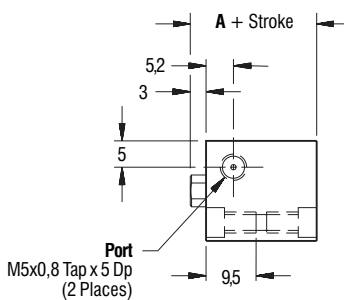
Fitting: 10-32 inch thread will fit and function in M5 port.

Snap-Cap® Design

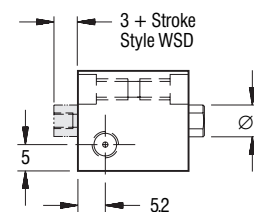
12mm Bore Non Magnetic and Magnetic Piston

Duty	Part Number		Stock Stroke Length (in 5mm increments)	A
	Single Rod	Double Rod		
Non Magnetic Piston	Standard	WS12x___ WSD12x___	5	19

Standard Mounting:
TF TR TM TBE

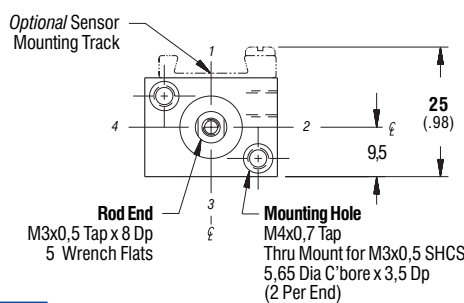
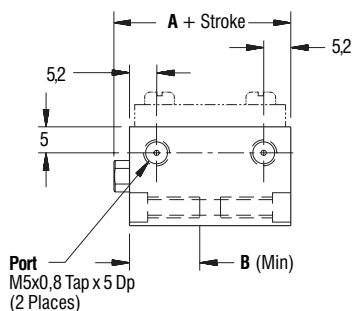


This stroke length allows only one sensor.

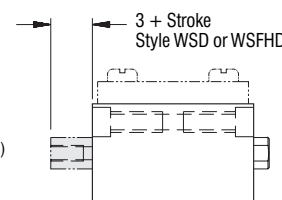


Duty	Part Number		Stock Stroke Length (in 5mm increments)	A	B
	Single Rod	Double Rod			
Non Magnetic Piston	Standard	WS12x___ WSD12x___	10 - 15	19	11,5
	Intermediate	WSHH12x___	5 - 10	24	11,5
	Heavy	WSFH12x___ WSFHD12x___	5	29	13,5
Magnetic Piston	Standard	AWS12x___ AWSD12x___	5	29	13,5

Standard Mounting:
TF TR TM TBE



This stroke length allows only one sensor.



—Information same as above except where noted—

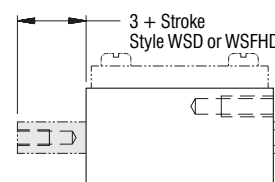
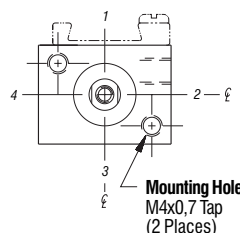
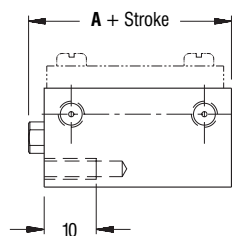
Duty	Part Number		Stock Stroke Length (in 5mm increments)	A
	Single Rod	Double Rod		
Non Magnetic Piston	Standard	WS12x___ WSD12x___	20 - 50	19
	Intermediate	WSHH12x___	15 - 50	24
	Heavy	WSFH12x___ WSFHD12x___	10 - 50	29
Magnetic Piston	Standard	AWS12x___ AWSD12x___	10 - 50	29
	Intermediate	AWSHH12x___	5 - 50	34
	Heavy	AWSFH12x___ AWSFHD12x___	5 - 50	39

Standard Mounting: TF
Optional Mounting: Specify suffix

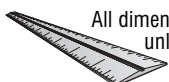
TR TBE TM*

*41mm body length and shorter

Body lengths 45mm and shorter allow only one sensor.



—Information same as above except where noted—



All dimensions are in millimeters unless otherwise noted.

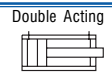
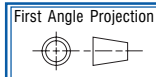
Part Number X Stroke Option - See 'Accessories' section



12mm Bore

Snap-Cap® Design

Non Magnetic and Magnetic Piston

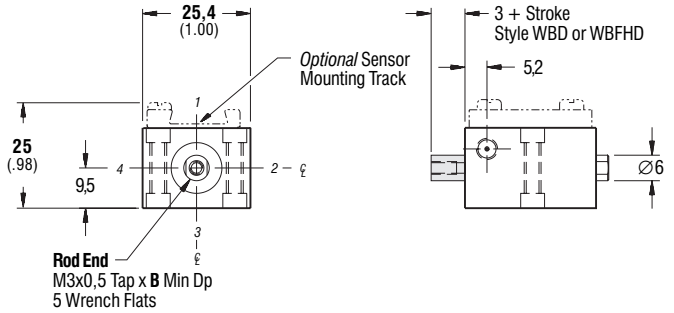
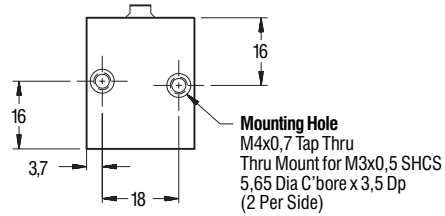
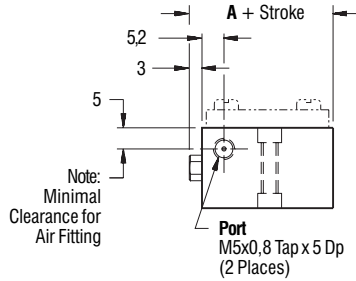


Fitting: 10-32 inch thread will fit and function in M5 port.

12mm Bore • 12mm Bore • 12mm Bore • 12mm Bore • 12mm Bore

		Part Number		Stock Stroke Length (in 5mm increments)	A	B
Duty		Single Rod	Double Rod			
Non Magnetic Piston	Standard	WB12x___	WBD12x___	5 - 15	19	6
	Intermediate	WBHH12x___		5 - 10	24	8
	Heavy	WBFH12x___	WBFHD12x___	5	29	8
Magnetic Piston	Standard	AWB12x___	AWBD12x___	5	29	8

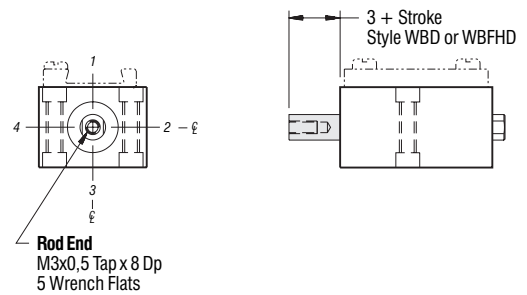
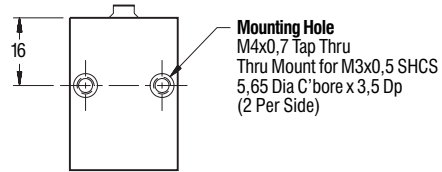
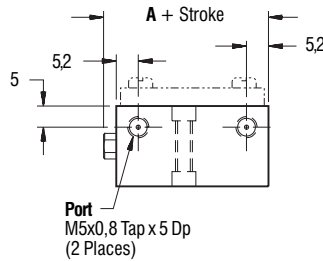
This stroke length allows only one sensor.



		Part Number		Stock Stroke Length (in 5mm increments)	A
Duty		Single Rod	Double Rod		
Non Magnetic Piston	Standard	WB12x___	WBD12x___	20 - 50	19
	Intermediate	WBHH12x___		15 - 50	24
	Heavy	WBFH12x___	WBFHD12x___	10 - 45	29
Magnetic Piston	Standard	AWB12x___	AWBD12x___	10 - 50	29
	Intermediate	AWBHH12x___		5 - 50	34
	Heavy	AWBFH12x___	AWBFHD12x___	5 - 45	39

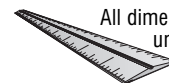
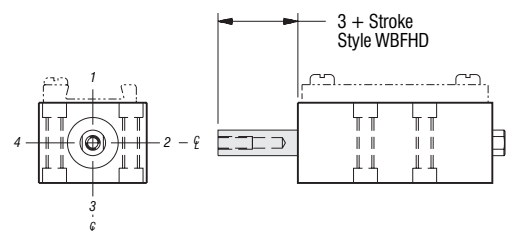
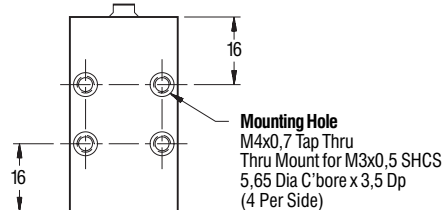
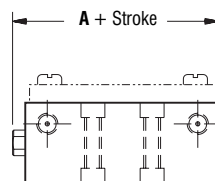
—Information same as above except where noted—

Body lengths 45mm and shorter allow only one sensor.



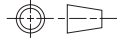
		Part Number		Stock Stroke Length (in 5mm increments)	A
Duty		Single Rod	Double Rod		
Non Magnetic Piston	Heavy	WBFH12x___	WBFHD12x___	50	29
Magnetic Piston	Heavy	AWBFH12x___	AWBFHD12x___	50	39

—Information same as above except where noted—





First Angle Projection



Double Acting



Snap-Cap® Design

12mm Bore

Non Magnetic and Magnetic Piston

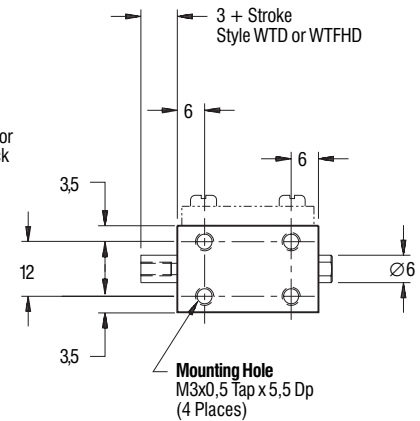
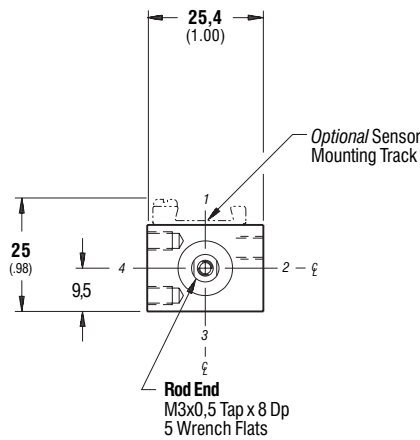
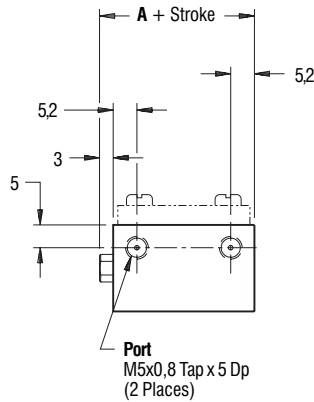


Fitting: 10-32 inch thread will fit and function in M5 port.

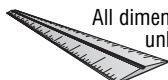
		Part Number		Stock Stroke Length (in 5mm increments)	A
Duty		Single Rod	Double Rod		
Non Magnetic Piston	Standard	WT12x____	WTD12x____	10 - 50	19
	Intermediate	WTHH12x____		5 - 50	24
	Heavy	WTFH12x____	WTFHD12x____	5 - 50	29
Magnetic Piston	Standard	AWT12x____	AWTD12x____	5 - 50	29
	Intermediate	AWTHH12x____		5 - 50	34
	Heavy	AWTFH12x____	AWTFHD12x____	5 - 50	39



Body lengths 45mm and shorter allow only one sensor.



12mm Bore • 12mm Bore • 12mm Bore • 12mm Bore • 12mm Bore • 12mm Bore



All dimensions are in millimeters unless otherwise noted.

Part Number X

Part Number

Stroke

Option - See 'Accessories' section