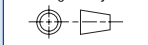


First Angle Projection

Double Acting



Fittings: 10-32 inch thread fitting will fit and function in M5 port. Available factory installed.

# BSC1000 Series

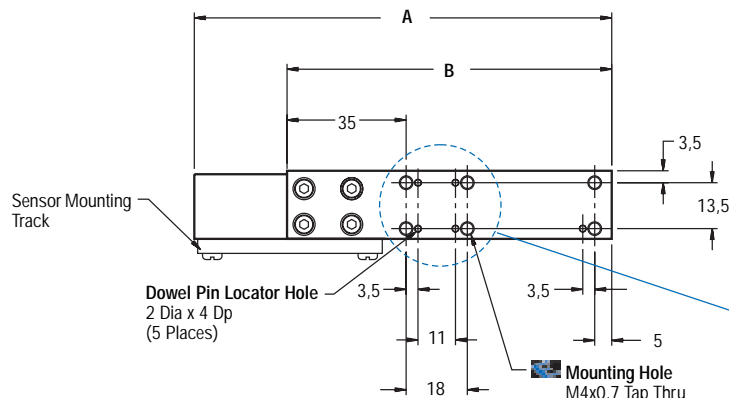
# 12mm Bore



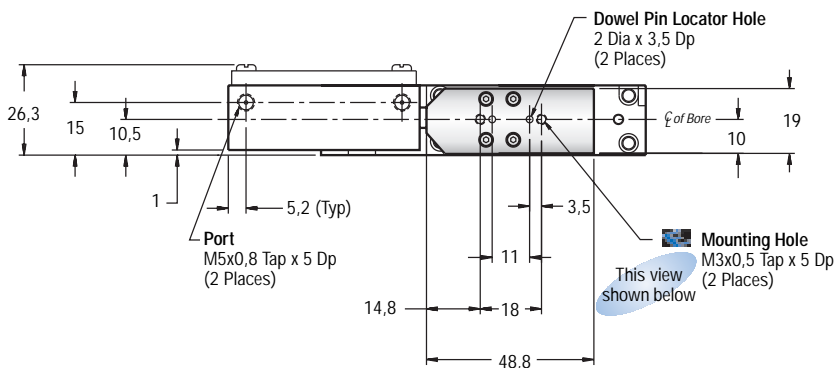
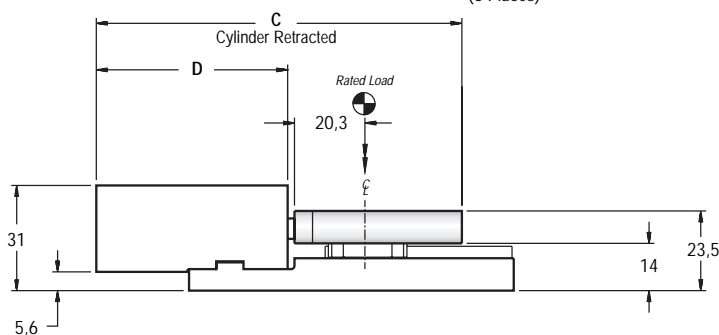
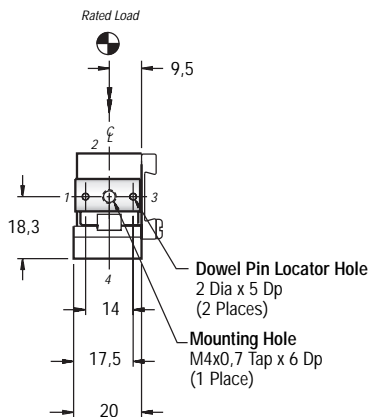
Dowel Pin Locator Holes are designed for location and additional shear strength.

BSC1000 Series

Part Number	Stock Stroke Length (mm)	A	B	C	D
BSC112x___	2,5 5 7,5 10 12,5 15	93	80,5	93,3	41
BSC112x___	17,5 20 22,5 25 27,5 30	123	95,5	108,3	56
BSC112x___	32,5 35 37,5 40 42,5 45 47,5 50	163	115,5	128,3	76



**Multi-Axis Assembly**  
This mounting pattern (2 patterns) is designed to mount on any 12mm bore, BSC2000 Series tooling plate. Also can be used for general purpose mounting.



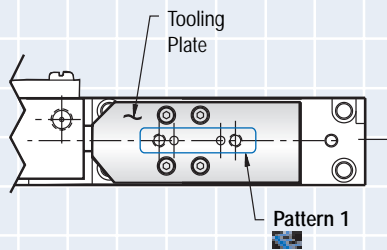
12mm Bore • 12mm Bore • 12mm Bore • 12mm Bore • 12mm Bore



## Easy Multi-Axis Assemblies

Exclusive Compact® mounting pattern.

Pattern 1: Adapts to a Compact® BSC2000 Series, Style 'B' cylinder, of the same bore size. Also can be used for general purpose mounting.



All dimensions shown in millimeters unless otherwise noted.

BSC1000 Series

BSC1 (Bore)

x 25

PC3

COMPACT® Ball Slide Cylinders

7