

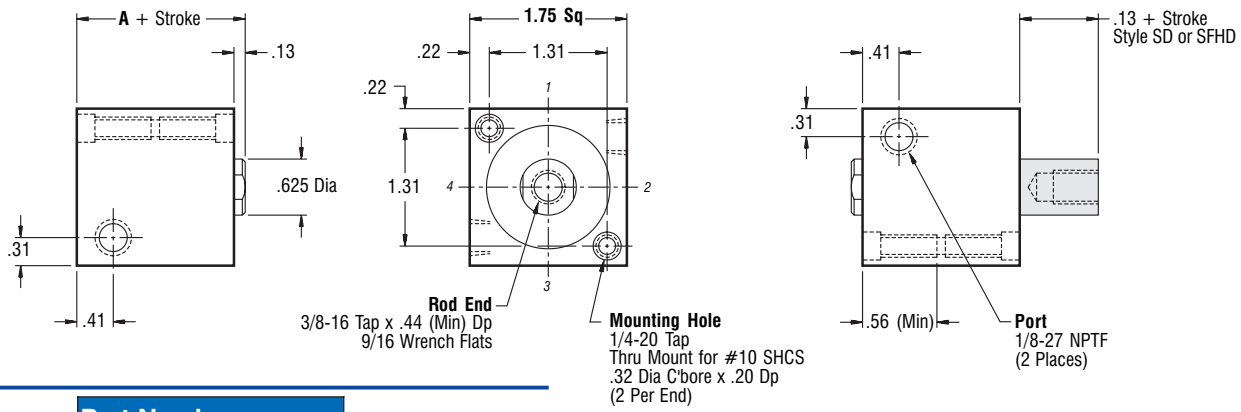
# 1-3/8" Bore

# Non Magnetic Piston

1-3/8" Bore • 1-3/8" Bore • 1-3/8" Bore • 1-3/8" Bore • 1-3/8" Bore

Part Number				
Duty	Single Rod	Double Rod	Stock Stroke Length	A
Standard	S138x__	SD138x__	1/8, 1/4, 3/8, 1/2, 5/8, 3/4	1.13
Intermediate	SHH138x__		1/8, 1/4, 3/8, 1/2	1.38
Heavy	SFH138x__	SFHD138x__	1/8, 1/4	1.63

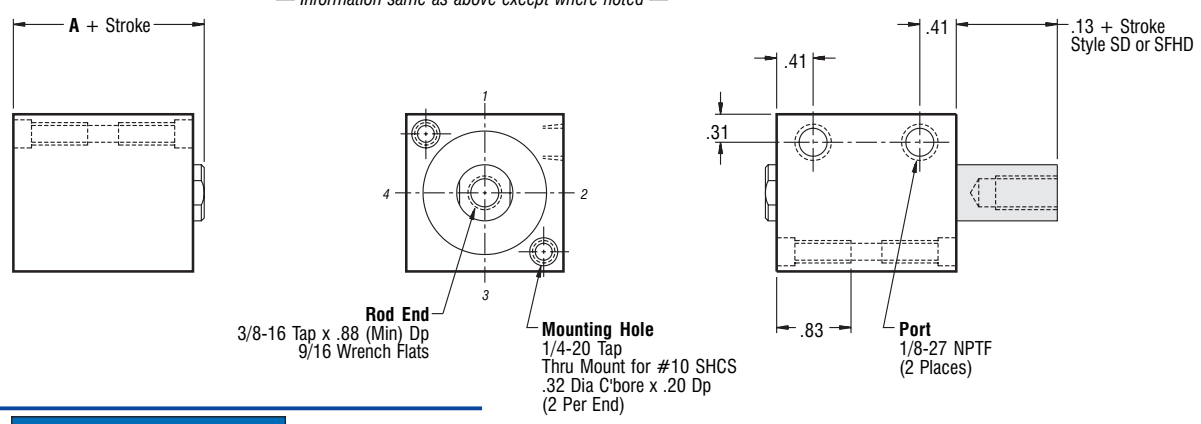
Standard Mounting:  
TF TR TBE TM



Part Number				
Duty	Single Rod	Double Rod	Stock Stroke Length	A
Standard	S138x__	SD138x__	7/8, 1	1.13
Intermediate	SHH138x__		5/8, 3/4	1.38
Heavy	SFH138x__	SFHD138x__	3/8, 1/2	1.63

Standard Mounting:  
TF TR TBE TM

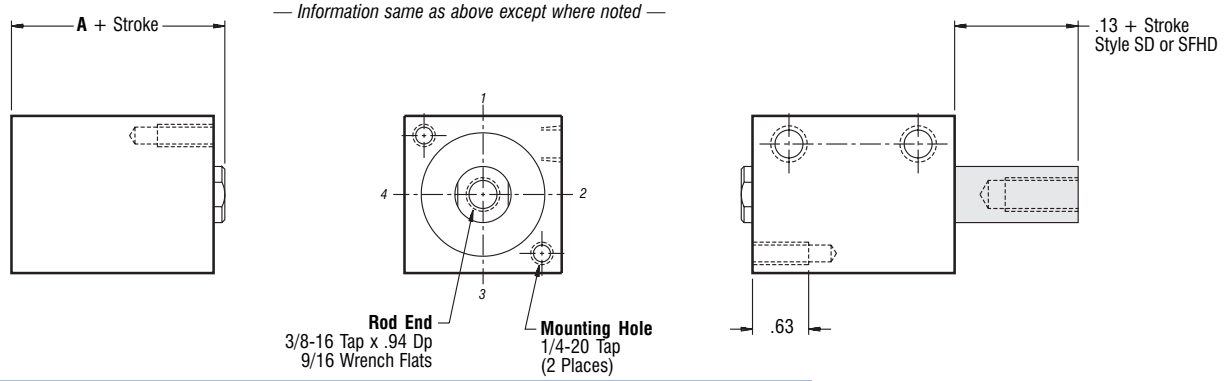
— Information same as above except where noted —



Part Number				
Duty	Single Rod	Double Rod	Stock Stroke Length	A
Standard	S138x__	SD138x__	1-1/4, 1-1/2, 1-3/4, 2, 2-1/2, 3, 3-1/2, 4	1.13
Intermediate	SHH138x__		1, 1-1/4, 1-1/2, 1-3/4, 2-1/4, 2-3/4, 3-1/4, 3-3/4	1.38
Heavy	SFH138x__	SFHD138x__	3/4, 1, 1-1/4, 1-1/2, 2, 2-1/2, 3, 3-1/2, 4	1.63

Standard Mounting: TF  
Optional Mounting: TR TBE TM

— Information same as above except where noted —





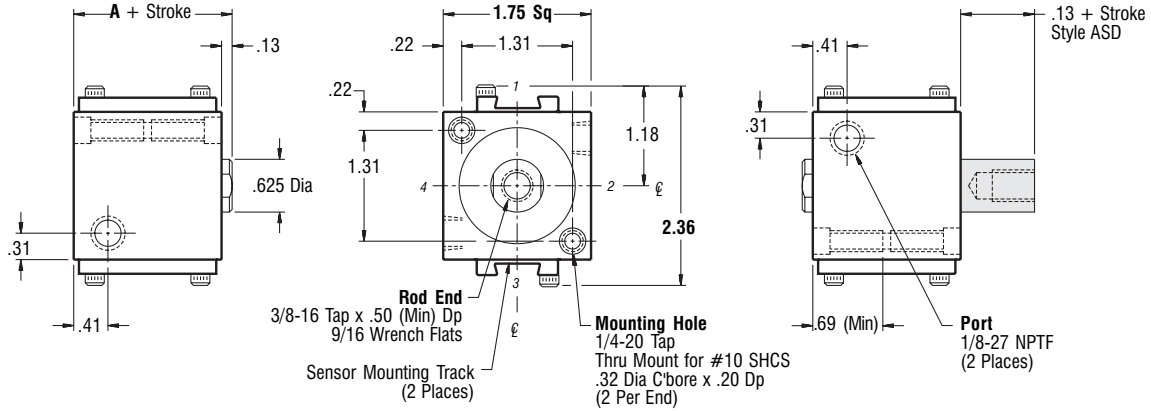
# Magnetic Piston

# 1-3/8" Bore

1-3/8" Bore • 1-3/8" Bore • 1-3/8" Bore • 1-3/8" Bore • 1-3/8" Bore

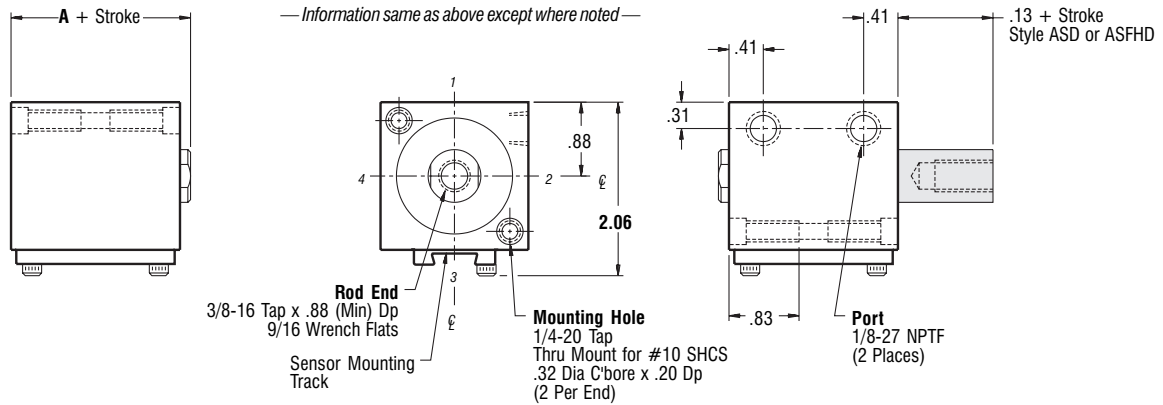
Duty	Part Number		Stock Stroke Length	A
	Single Rod	Double Rod		
Standard	AS138x__	ASD138x__	1/8, 1/4, 3/8, 1/2	1.38
Intermediate	ASHH138x__		1/8, 1/4	1.63

Standard Mounting:  
TF TR TBE TM



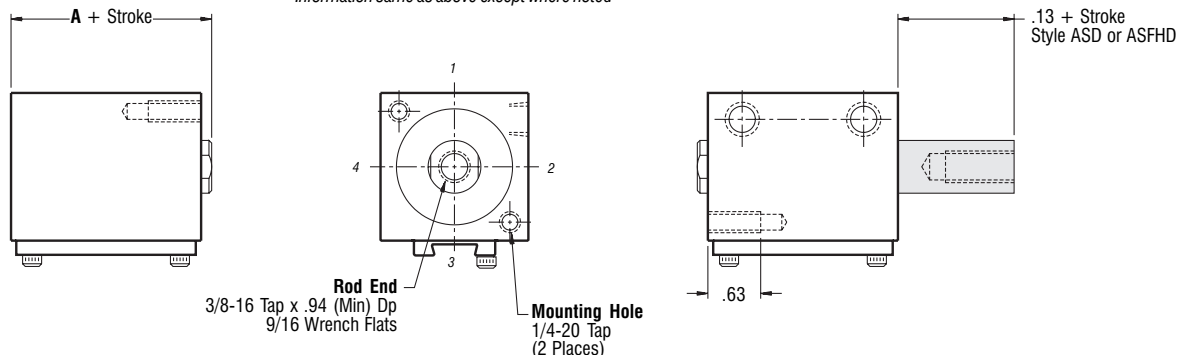
Duty	Part Number		Stock Stroke Length	A
	Single Rod	Double Rod		
Standard	AS138x__	ASD138x__	5/8, 3/4	1.38
Intermediate	ASHH138x__		3/8, 1/2	1.63
Heavy	ASFH138x__	ASFHD138x__	1/8, 1/4	1.88

Standard Mounting:  
TF TR TBE TM



Duty	Part Number		Stock Stroke Length	A
	Single Rod	Double Rod		
Standard	AS138x__	ASD138x__	1, 1-1/4, 1-1/2, 1-3/4, 2-1/4, 2-3/4, 3-1/4, 3-3/4	1.38
Intermediate	ASHH138x__		3/4, 1, 1-1/4, 1-1/2, 2, 2-1/2, 3, 3-1/2, 4	1.63
Heavy	ASFH138x__	ASFHD138x__	1/2, 3/4, 1, 1-1/4, 1-3/4, 2-1/4, 2-3/4, 3-1/4, 3-3/4	1.88

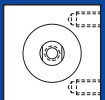
Standard Mounting: TF  
Optional Mounting: TR TBE TM



Part Number  X

COMPACT® Inch Cylinders

Stroke Options - See 'Options' section

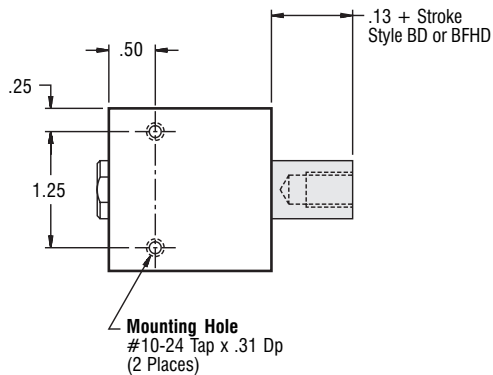
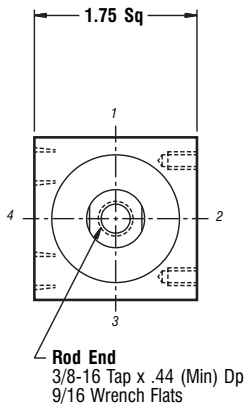
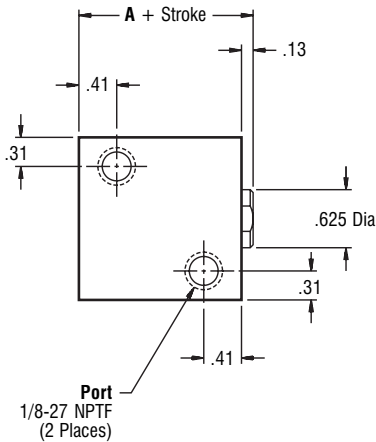


# 1-3/8" Bore Non Magnetic Piston

1-3/8" Bore • 1-3/8" Bore • 1-3/8" Bore • 1-3/8" Bore

	Part Number			
Duty	Single Rod	Double Rod	Stock Stroke Length	A
Standard	B138x__	BD138x__	1/8, 1/4, 3/8, 1/2, 5/8, 3/4	1.13
Intermediate	BHH138x__		1/8, 1/4, 3/8, 1/2	1.38
Heavy	BFH138x__	BFHD138x__	1/8, 1/4	1.63

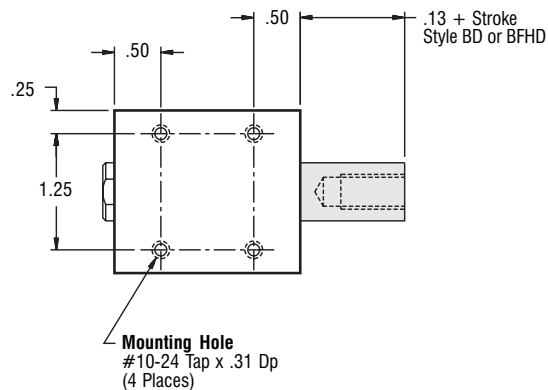
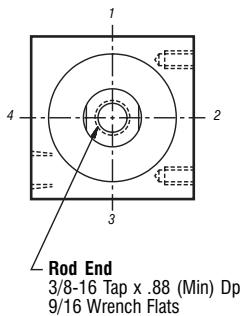
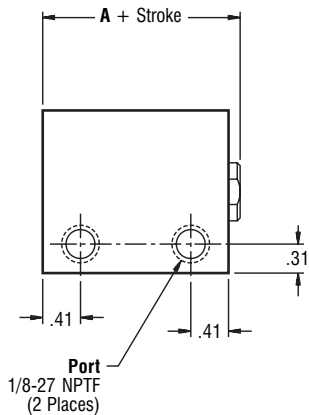
Port Orientation:  
 Introduction Section)  
**Threads Port Side**

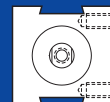


	Part Number			
Duty	Single Rod	Double Rod	Stock Stroke Length	A
Standard	B138x__	BD138x__	7/8, 1, 1-1/4, 1-1/2, 1-3/4, 2, 2-1/2, 3, 3-1/2, 4	1.13
Intermediate	BHH138x__		5/8, 3/4, 1, 1-1/4, 1-1/2, 1-3/4, 2-1/2, 2-3/4, 3-1/4, 3-3/4	1.38
Heavy	BFH138x__	BFHD138x__	3/8, 1/2, 3/4, 1, 1-1/4, 1-1/2, 2, 2-1/2, 3, 3-1/2, 4	1.63

Port Orientation:  
 Introduction Section)  
**Threads Port Side**

— Information same as above except where noted —



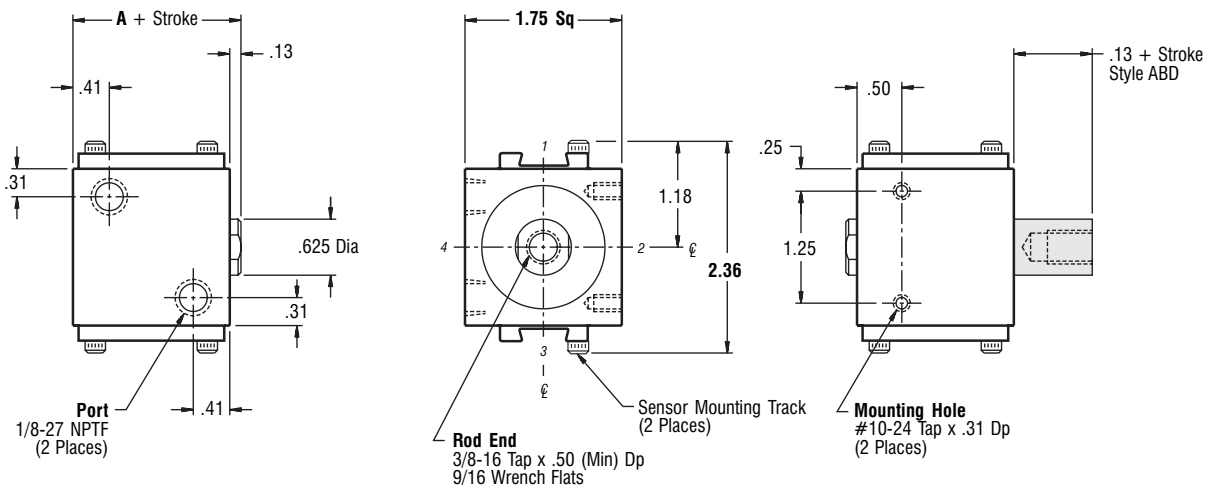


# Magnetic Piston

# 1-3/8" Bore

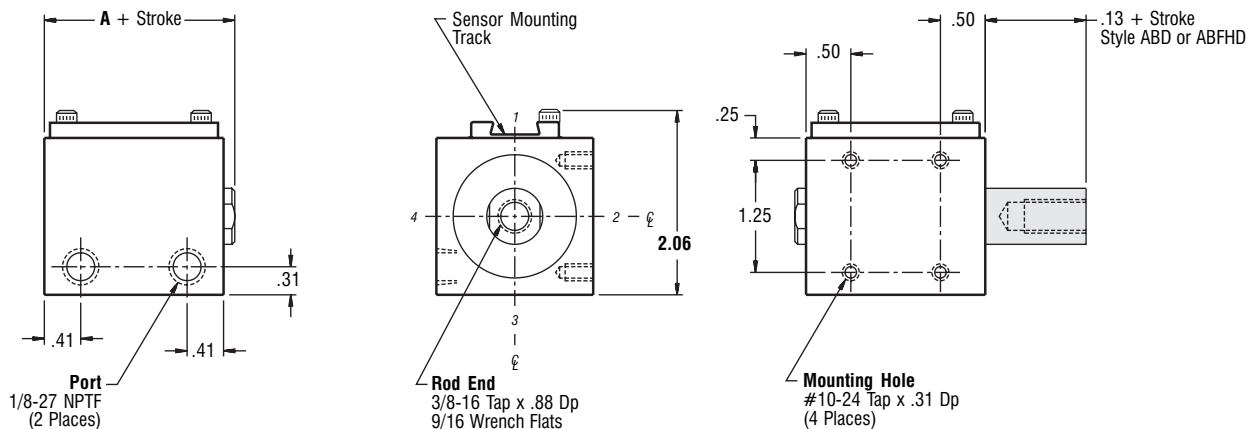
Duty	Part Number		Stock Stroke Length	A
	Single Rod	Double Rod		
Standard	AB138x__	ABD138x__	1/8, 1/4, 3/8, 1/2	1.38
Intermediate	ABHH138x__		1/8, 1/4	1.63

Port Orientation:  
*(Introduction Section)*  
**Threads Port Side**



Duty	Part Number		Stock Stroke Length	A
	Single Rod	Double Rod		
Standard	AB138x__	ABD138x__	5/8, 3/4, 1, 1-1/4, 1-1/2, 1-3/4, 2-1/4, 2-3/4, 3-1/4, 3-3/4	1.38
Intermediate	ABHH138x__		3/8, 1/2, 3/4, 1, 1-1/4, 1-1/2, 2, 2-1/2, 3, 3-1/2, 4	1.63
Heavy	ABFH138x__	ABFHD138x__	1/8, 1/4, 1/2, 3/4, 1, 1-1/4, 1-3/4, 2-1/4, 2-3/4, 3-1/4, 3-3/4	1.88

Port Orientation:  
*(Introduction Section)*  
**Threads Port Side**



Part Number  X   Stroke  Options - See 'Options' section

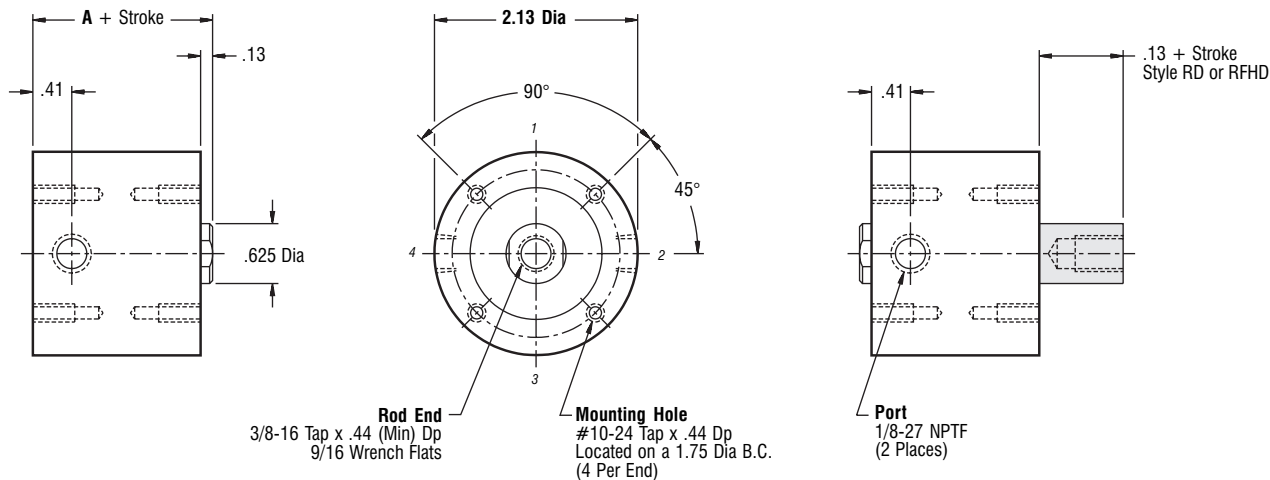


# 1-3/8" Bore Non Magnetic Piston

**Part Number**

Duty	Single Rod	Double Rod	Stock Stroke Length	A
Standard	R138x__	RD138x__	1/8, 1/4, 3/8, 1/2, 5/8, 3/4	1.13
Intermediate	RHH138x__		1/8, 1/4, 3/8, 1/2	1.38
Heavy	RFH138x__	RFHD138x__	1/8, 1/4	1.63

Standard Mounting: **TF TR TBE**  
 Optional Mounting: **TM**

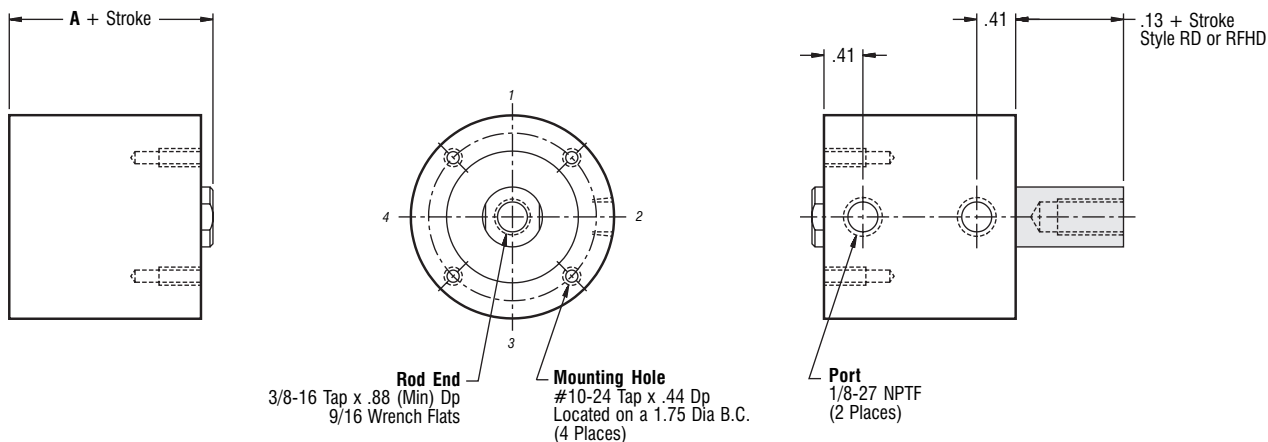


**Part Number**

Duty	Single Rod	Double Rod	Stock Stroke Length	A
Standard	R138x__	RD138x__	7/8, 1, 1-1/4, 1-1/2, 1-3/4, 2, 2-1/2, 3, 3-1/2, 4	1.13
Intermediate	RHH138x__		5/8, 3/4, 1, 1-1/4, 1-1/2, 1-3/4, 2-1/4, 2-3/4, 3-1/4, 3-3/4	1.38
Heavy	RFH138x__	RFHD138x__	3/8, 1/2, 3/4, 1, 1-1/4, 1-1/2, 2, 2-1/2, 3, 3-1/2, 4	1.63

Standard Mounting: **TF TR TBE TM**  
 Optional Mounting: **TR TBE TM**

— Information same as above except where noted —



1-3/8" Bore • 1-3/8" Bore • 1-3/8" Bore • 1-3/8" Bore

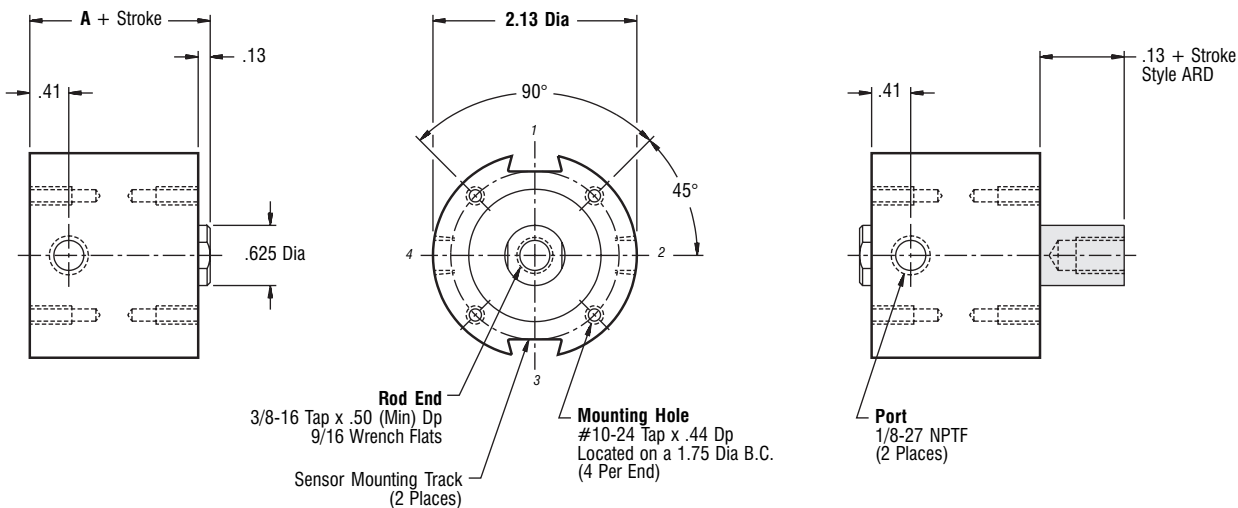


# Magnetic Piston

# 1-3/8" Bore

Duty	Part Number		Stock Stroke Length	A
	Single Rod	Double Rod		
Standard	AR138x__	ARD138x__	1/8, 1/4, 3/8, 1/2	1.38
Intermediate	ARHH138x__		1/8, 1/4	1.63

Standard Mounting: TF TR TBE  
Optional Mounting: TM



Duty	Part Number		Stock Stroke Length	A
	Single Rod	Double Rod		
Standard	AR138x__	ARD138x__	5/8, 3/4, 1, 1-1/4, 1-1/2, 1-3/4, 2-1/4, 2-3/4, 3-1/4, 3-3/4	1.38
Intermediate	ARHH138x__		3/8, 1/2, 3/4, 1, 1-1/4, 1-1/2, 2, 2-1/2, 3, 3-1/2, 4	1.63
Heavy	ARFH138x__	ARFHD138x__	1/8, 1/4, 1/2, 3/4, 1, 1-1/4, 1-3/4, 2-1/4, 2-3/4, 3-1/4, 3-3/4	1.88

Standard Mounting: TF TR TBE TM  
Optional Mounting: TBE TM

— Information same as above except where noted —

