

# 1-5/8" Bore

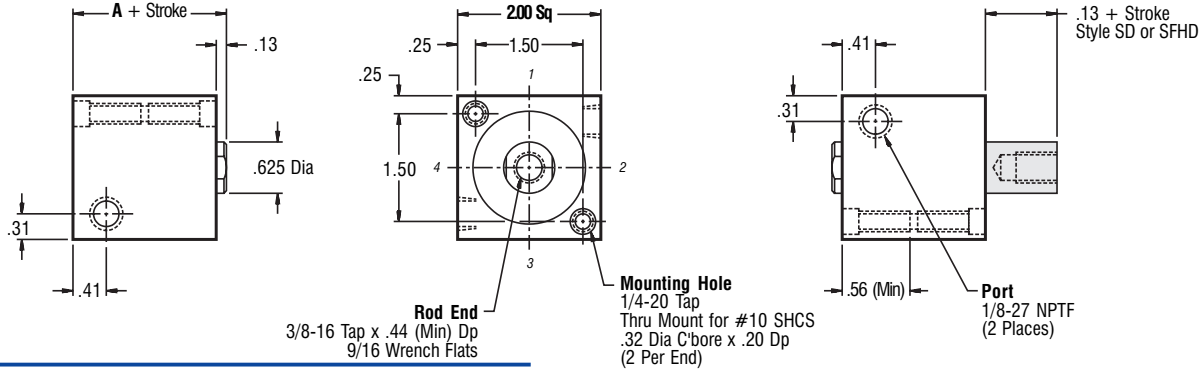
# Non Magnetic Piston

1-5/8" Bore • 1-5/8" Bore • 1-5/8" Bore • 1-5/8" Bore • 1-5/8" Bore

### Part Number

Duty	Single Rod	Double Rod	Stock Stroke Length	A
Standard	S158x__	SD158x__	1/8, 1/4, 3/8, 1/2, 5/8, 3/4	1.13
Intermediate	SHH158x__		1/8, 1/4, 3/8, 1/2	1.38
Heavy	SFH158x__	SFHD158x__	1/8, 1/4	1.63

Standard Mounting:  
TF TR TBE TM

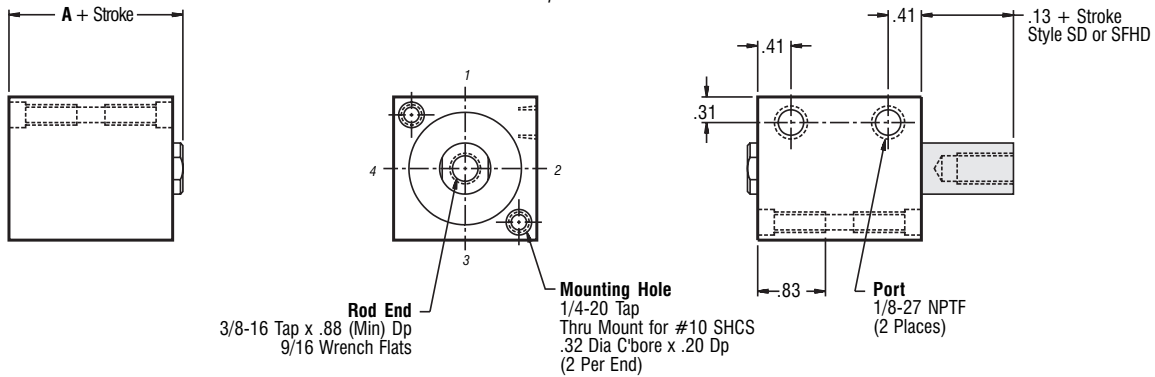


### Part Number

Duty	Single Rod	Double Rod	Stock Stroke Length	A
Standard	S158x__	SD158x__	7/8, 1	1.13
Intermediate	SHH158x__		5/8, 3/4	1.38
Heavy	SFH158x__	SFHD158x__	3/8, 1/2	1.63

Standard Mounting:  
TF TR TBE TM

— Information same as above except where noted —

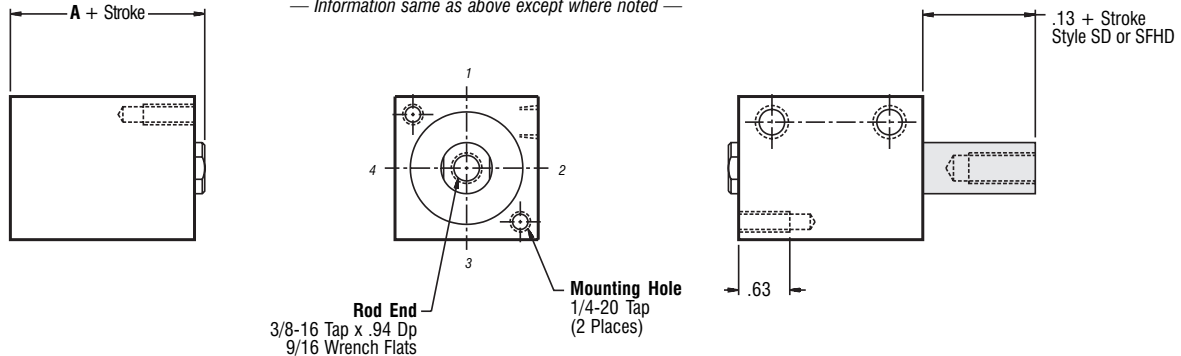


### Part Number

Duty	Single Rod	Double Rod	Stock Stroke Length	A
Standard	S158x__	SD158x__	1-1/4, 1-1/2, 1-3/4, 2, 2-1/2, 3, 3-1/2, 4	1.13
Intermediate	SHH158x__		1, 1-1/4, 1-1/2, 1-3/4, 2-1/4, 2-3/4, 3-1/4, 3-3/4	1.38
Heavy	SFH158x__	SFHD158x__	3/4, 1, 1-1/4, 1-1/2, 2, 2-1/2, 3, 3-1/2, 4	1.63

Standard Mounting: TF  
Optional Mounting: TR TBE TM

— Information same as above except where noted —





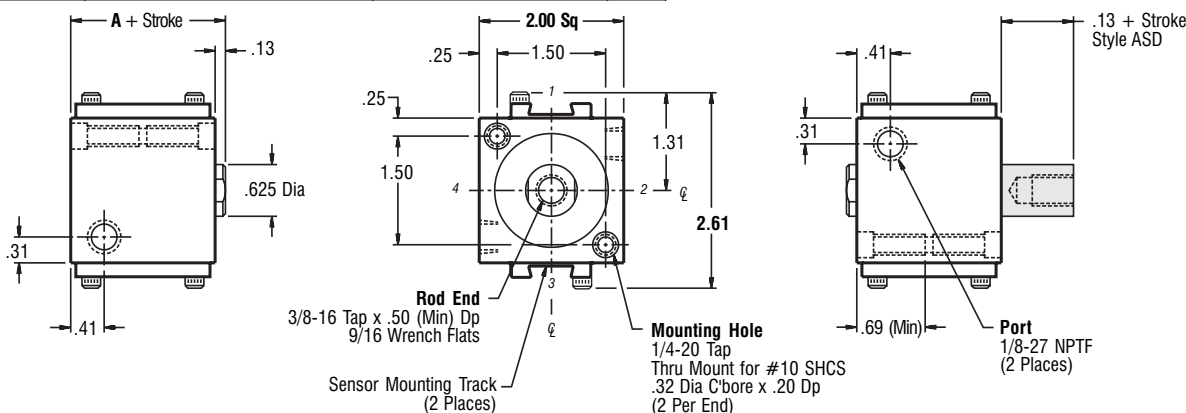
# Magnetic Piston

# 1-5/8" Bore

1-5/8" Bore • 1-5/8" Bore • 1-5/8" Bore • 1-5/8" Bore • 1-5/8" Bore

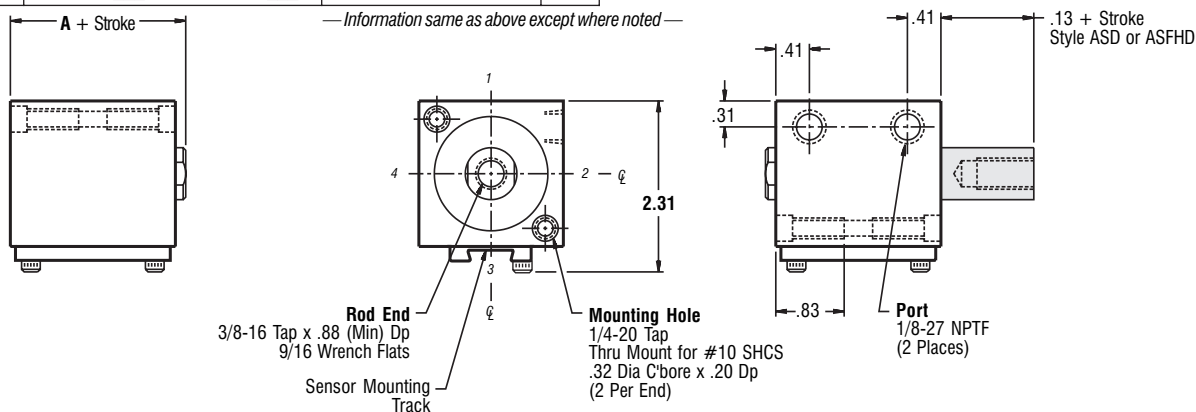
Part Number		Stock Stroke Length	A
Duty	Single Rod    Double Rod		
Standard	AS158x    ASD158x	1/8, 1/4, 3/8, 1/2	1.38
Intermediate	ASHH158x	1/8, 1/4	1.63

Standard Mounting:  
TF TR TBE TM



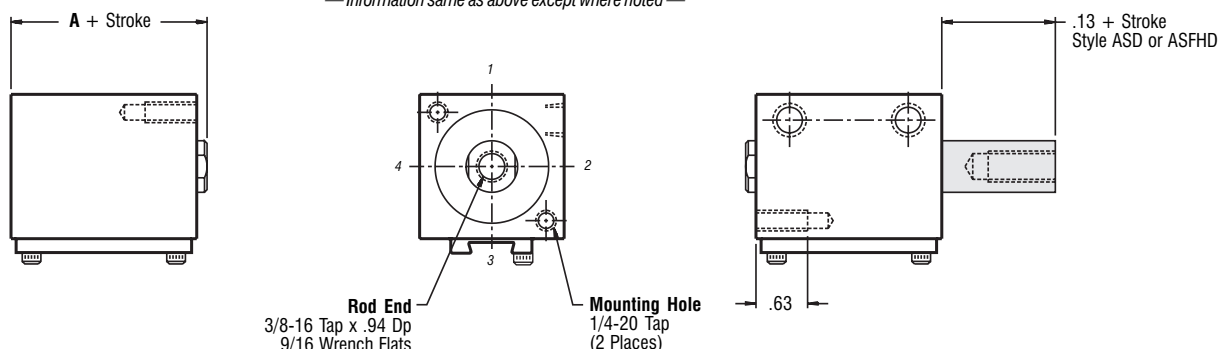
Part Number		Stock Stroke Length	A
Duty	Single Rod    Double Rod		
Standard	AS158x    ASD158x	5/8, 3/4	1.38
Intermediate	ASHH158x	3/8, 1/2	1.63
Heavy	ASFH158x    ASFHD158x	1/8, 1/4	1.88

Standard Mounting:  
TF TR TBE TM

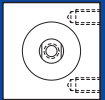


Part Number		Stock Stroke Length	A
Duty	Single Rod    Double Rod		
Standard	AS158x    ASD158x	1, 1-1/4, 1-1/2, 1-3/4, 2-1/4, 2-3/4, 3-1/4, 3-3/4	1.38
Intermediate	ASHH158x	3/4, 1, 1-1/4, 1-1/2, 2, 2-1/2, 3, 3-1/2, 4	1.63
Heavy	ASFH158x    ASFHD158x	1/2, 3/4, 1, 1-1/4, 1-3/4, 2-1/4, 2-3/4, 3-1/4, 3-3/4	1.88

Standard Mounting: TF  
Optional Mounting: TR TBE TM



Part Number  X



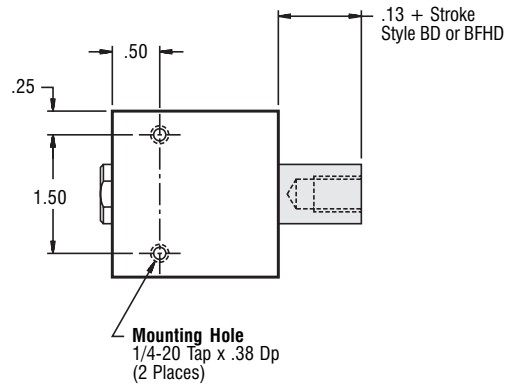
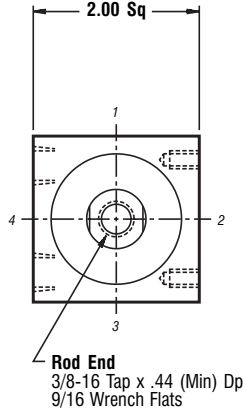
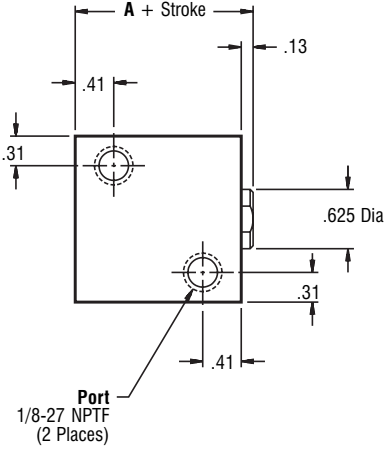
# 1-5/8" Bore Non Magnetic Piston

Side Mount

**Part Number**

Duty	Single Rod	Double Rod	Stock Stroke Length	A
Standard	B158x__	BD158x__	1/8, 1/4, 3/8, 1/2, 5/8, 3/4	1.13
Intermediate	BHH158x__		1/8, 1/4, 3/8, 1/2	1.38
Heavy	BFH158x__	BFHD158x__	1/8, 1/4	1.63

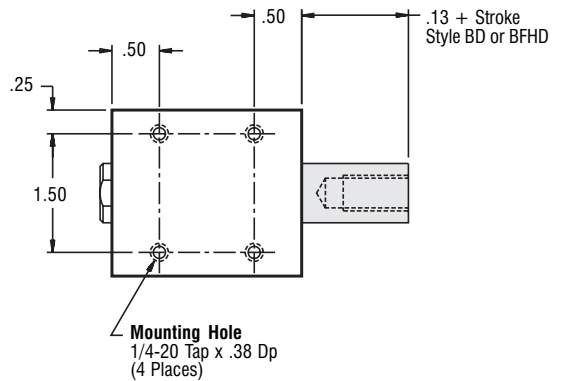
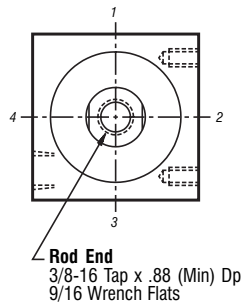
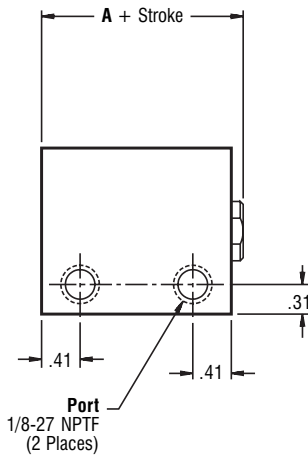
Port Orientation:  
*(Introduction Section)*  
**Threads Port Side**



**Part Number**

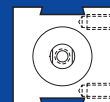
Duty	Single Rod	Double Rod	Stock Stroke Length	A
Standard	B158x__	BD158x__	7/8, 1, 1-1/4, 1-1/2, 1-3/4, 2, 2-1/2, 3, 3-1/2, 4	1.13
Intermediate	BHH158x__		5/8, 3/4, 1, 1-1/4, 1-1/2, 1-3/4, 2-1/4, 2-3/4, 3-1/4, 3-3/4	1.38
Heavy	BFH158x__	BFHD158x__	3/8, 1/2, 3/4, 1, 1-1/4, 1-1/2, 2, 2-1/2, 3, 3-1/2, 4	1.63

Port Orientation:  
*(Introduction Section)*  
**Threads Port Side**



— Information same as above except where noted —

1-5/8" Bore • 1-5/8" Bore • 1-5/8" Bore • 1-5/8" Bore



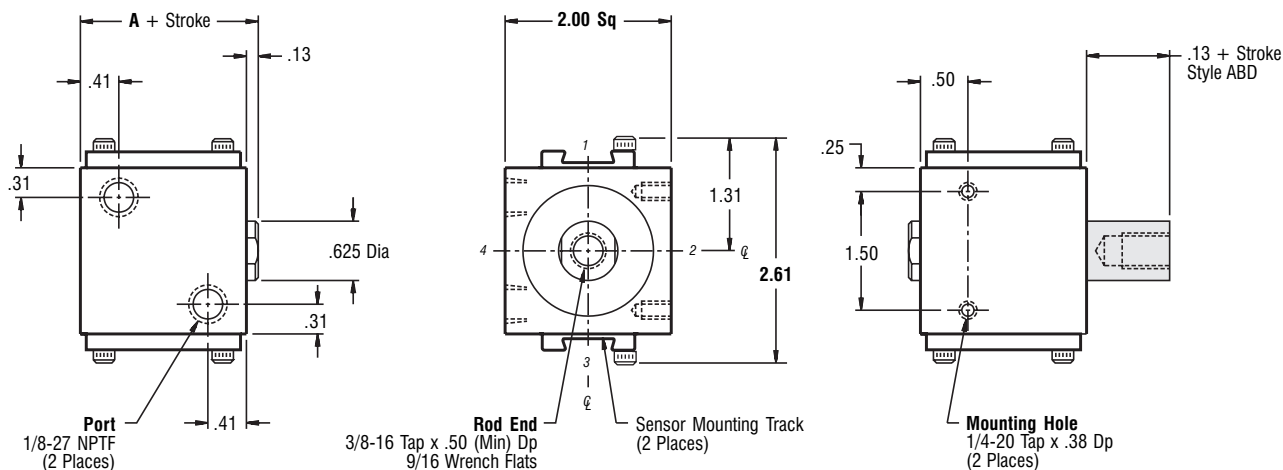
# Magnetic Piston

# 1-5/8" Bore

### Part Number

Duty	Single Rod	Double Rod	Stock Stroke Length	A
Standard	AB158x	ABD158x	1/8, 1/4, 3/8, 1/2	1.38
Intermediate	ABHH158x		1/8, 1/4	1.63

Port Orientation:  
(Introduction Section)  
Threads Port Side

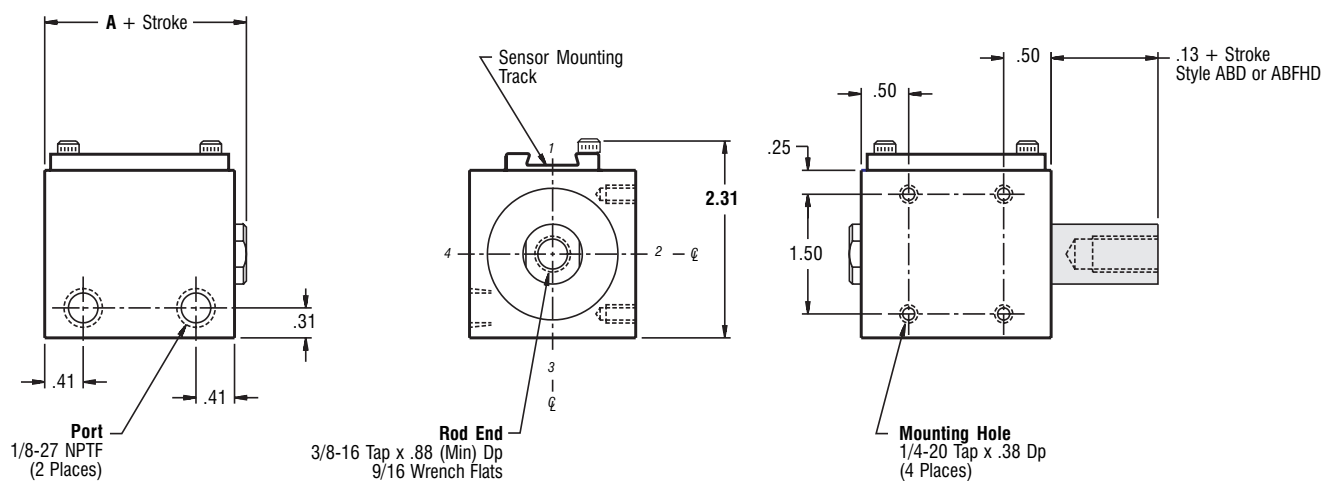


### Part Number

Duty	Single Rod	Double Rod	Stock Stroke Length	A
Standard	AB158x	ABD158x	5/8, 3/4, 1, 1-1/4, 1-1/2, 1-3/4, 2-1/4, 2-3/4, 3-1/4, 3-3/4	1.38
Intermediate	ABHH158x		3/8, 1/2, 3/4, 1, 1-1/4, 1-1/2, 2, 2-1/2, 3, 3-1/2, 4	1.63
Heavy	ABFH158x	ABFHD158x	1/8, 1/4, 1/2, 3/4, 1, 1-1/4, 1-3/4, 2-1/4, 2-3/4, 3-1/4, 3-3/4	1.88

Port Orientation:  
(Introduction Section)  
Threads Port Side

— Information same as above except where noted —



X

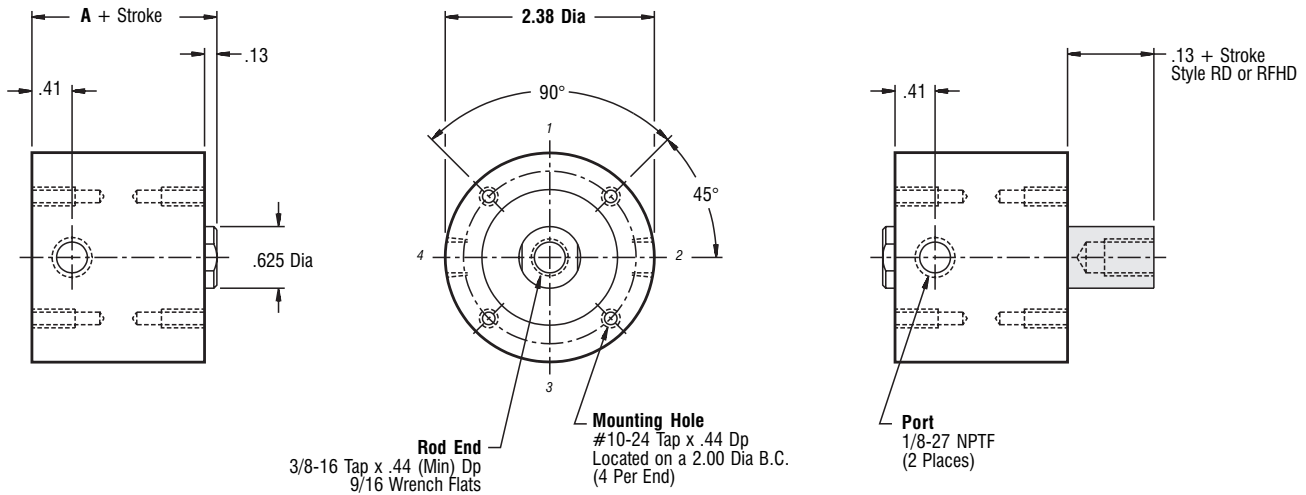


# 1-5/8" Bore Non Magnetic Piston

1-5/8" Bore • 1-5/8" Bore • 1-5/8" Bore • 1-5/8" Bore

Part Number		Stock Stroke Length	A	
Duty	Single Rod			Double Rod
Standard	R158x__	RD158x__	1/8, 1/4, 3/8, 1/2, 5/8, 3/4	1.13
Intermediate	RHH158x__		1/8, 1/4, 3/8, 1/2	1.38
Heavy	RFH158x__	RFHD158x__	1/8, 1/4	1.63

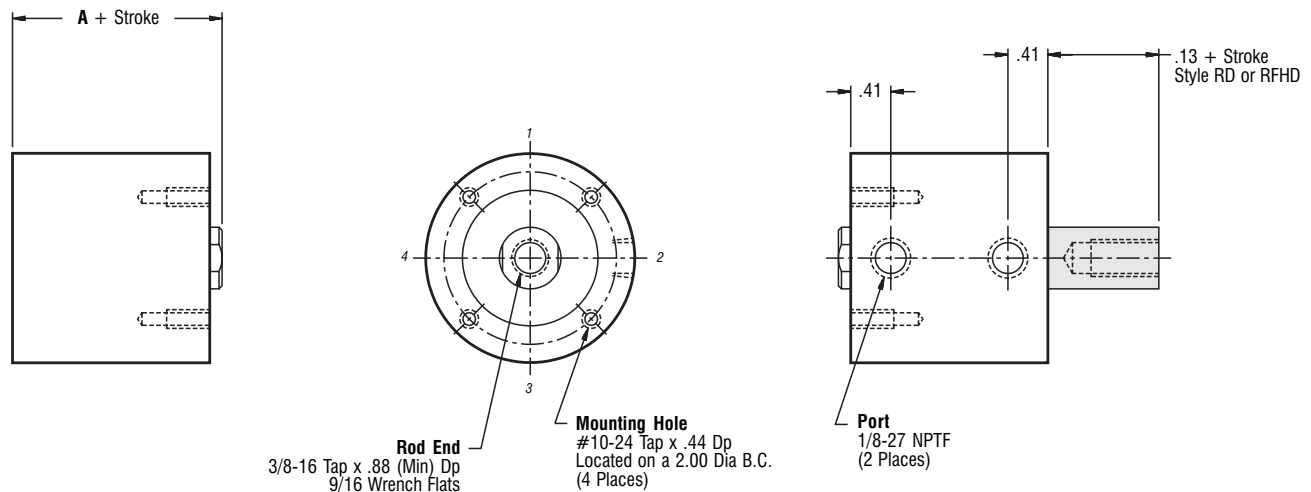
Standard Mounting: **TF TR TBE**  
Optional Mounting: **TM**



Part Number		Stock Stroke Length	A	
Duty	Single Rod			Double Rod
Standard	R158x__	RD158x__	7/8, 1, 1-1/4, 1-1/2, 1-3/4, 2, 2-1/2, 3, 3-1/2, 4	1.13
Intermediate	RHH158x__		5/8, 3/4, 1, 1-1/4, 1-1/2, 1-3/4, 2-1/4, 2-3/4, 3-1/4, 3-3/4	1.38
Heavy	RFH158x__	RFHD158x__	3/8, 1/2, 3/4, 1, 1-1/4, 1-1/2, 2, 2-1/2, 3, 3-1/2, 4	1.63

Standard Mounting: **TF**  
Optional Mounting: **TR TBE TM**

— Information same as above except where noted —



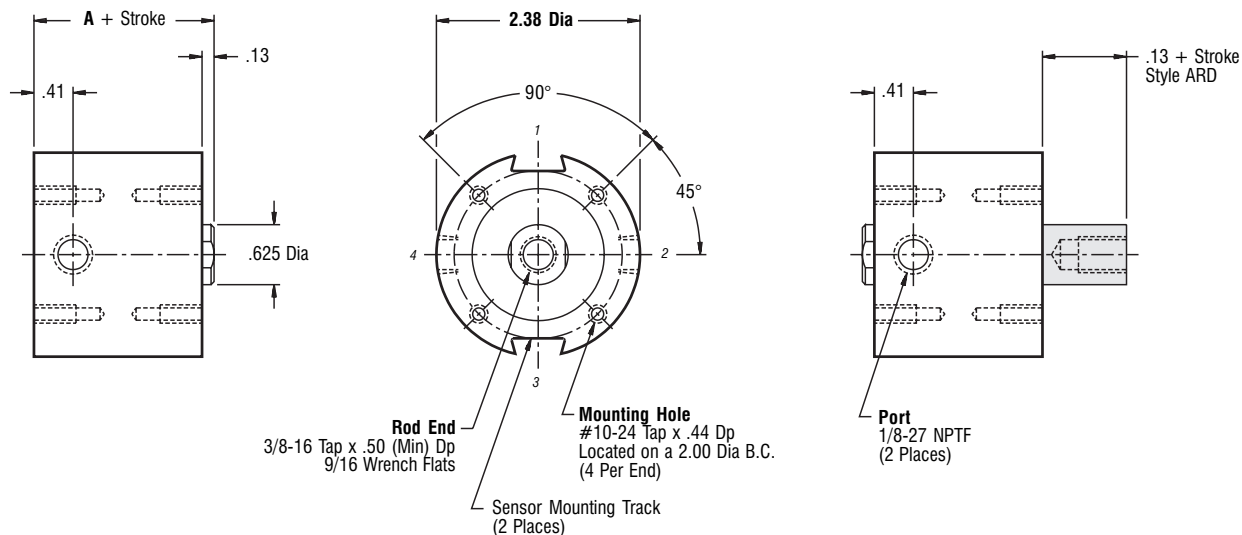


# Magnetic Piston

# 1-5/8" Bore

	Part Number			
Duty	Single Rod	Double Rod	Stock Stroke Length	A
Standard	AR158x	ARD158x	1/8, 1/4, 3/8, 1/2	1.38
Intermediate	ARHH158x		1/8, 1/4	1.63

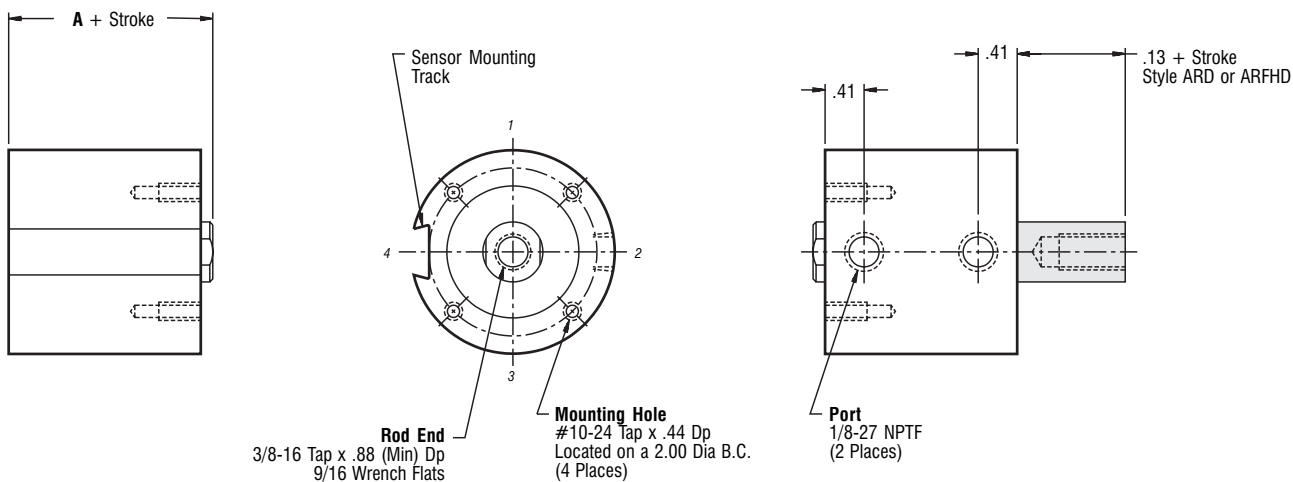
Standard Mounting: TF TR TBE  
Optional Mounting: TM



	Part Number			
Duty	Single Rod	Double Rod	Stock Stroke Length	A
Standard	AR158x	ARD158x	5/8, 3/4, 1, 1-1/4, 1-1/2, 1-3/4, 2-1/4, 2-3/4, 3-1/4, 3-3/4	1.38
Intermediate	ARHH158x		3/8, 1/2, 3/4, 1, 1-1/4, 1-1/2, 2, 2-1/2, 3, 3-1/2, 4	1.63
Heavy	ARFH158x	ARFHD158x	1/8, 1/4, 1/2, 3/4, 1, 1-1/4, 1-3/4, 2-1/4, 2-3/4, 3-1/4, 3-3/4	1.88

Standard Mounting: TF  
Optional Mounting: TR TBE TM

— Information same as above except where noted —



1-5/8" Bore • 1-5/8" Bore • 1-5/8" Bore • 1-5/8" Bore • 1-5/8" Bore • 1-5/8" Bore