

First Angle Projection



Double Acting



Fittings: 10-32 inch thread fitting will fit and function in M5 port. Available factory installed.

BSC2000 Series

20mm Bore

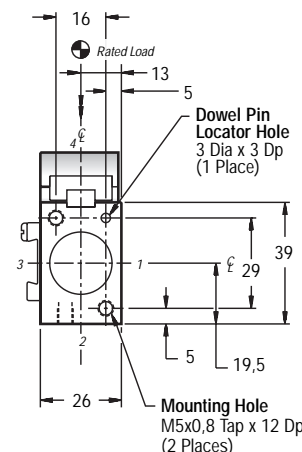
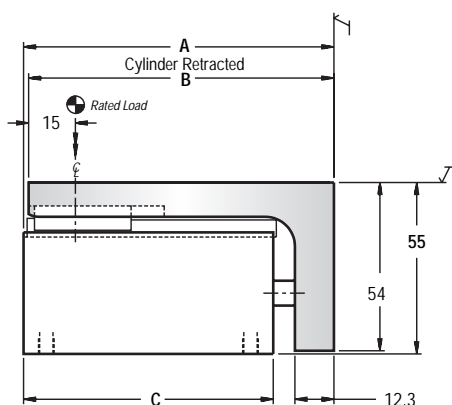
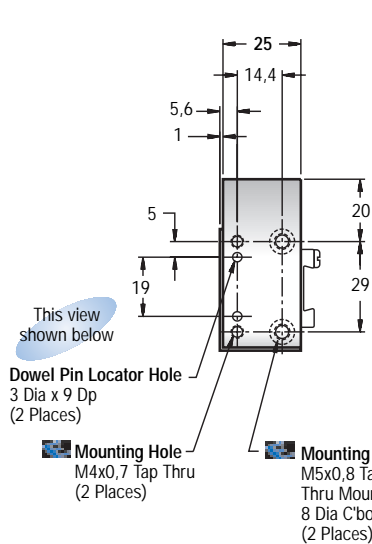
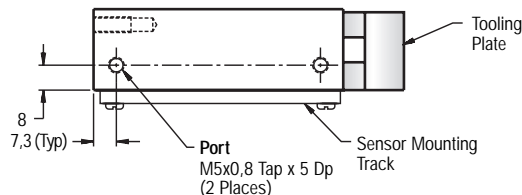
BSC2000 Series

20mm Bore • 20mm Bore • 20mm Bore • 20mm Bore • 20mm Bore

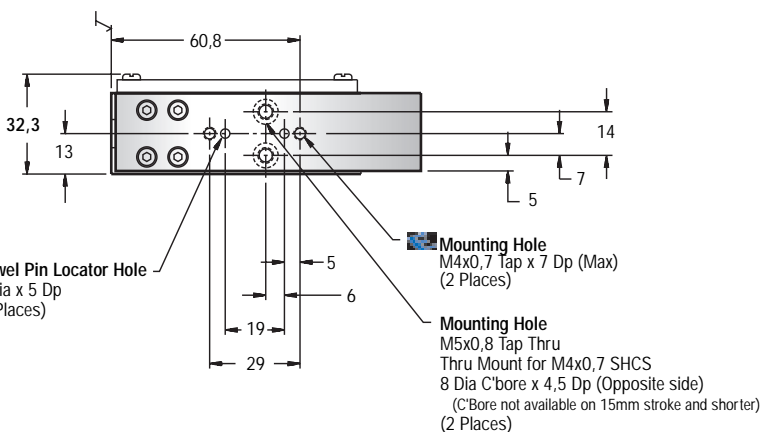
Part Number	Stock Stroke Length (mm)	A	B	C
BSC2S20x___	5, 10, 15	64,5	62,5	45
BSC2S20x___	20, 25, 30	79,5	77,5	60
BSC2S20x___	35, 40, 45, 50	99,5	97,5	80
BSC2S20x___	55, 60, 65, 70, 75	124,5	122,5	105



Dowel Pin Locator Holes are designed for location and additional shear strength.



Use discretion when mounting this in a horizontal application



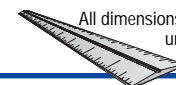
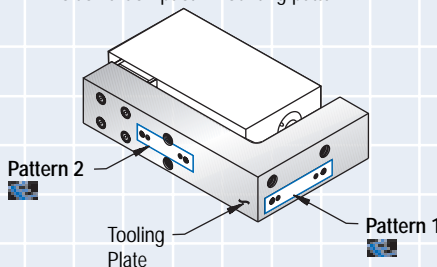
Easy Multi-Axis Assemblies

Exclusive Compact® mounting pattern.

Both surfaces on the plate have mounting patterns:

Pattern 1: Adapts to a Compact® BSC1000 Series mounting platform - or - a BSC2000 Series, Style 'B' cylinder, both of the same bore size. Also can be used for general purpose mounting.

Pattern 2: Adapts to a Compact® BSC2000 Series, Style 'B' cylinder of the same bore size. Also can be used for general purpose mounting.



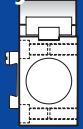
All dimensions shown in millimeters unless otherwise noted.

BSC2000 Series

BSC 2 (S,B,D) 20 x 25 PC 3

COMPACT® Ball Slide Cylinders

Style "B"

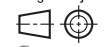


Side Mount

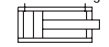
20mm Bore

BSC2000 Series

First Angle Projection



Double Acting

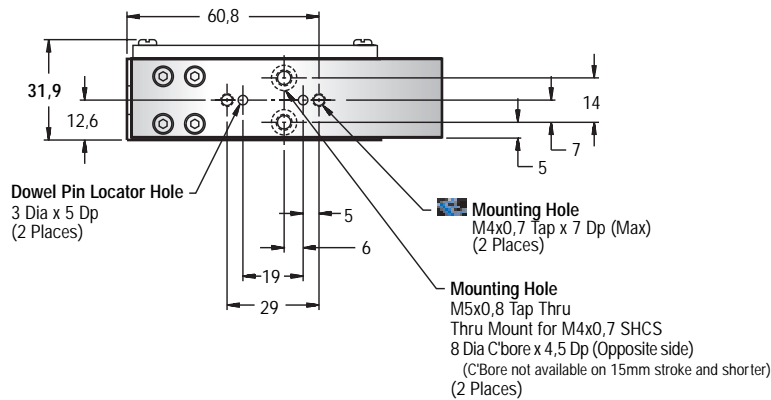
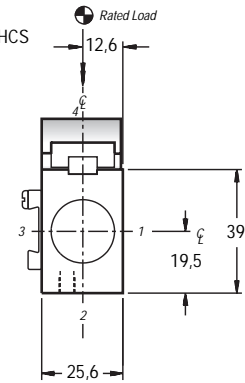
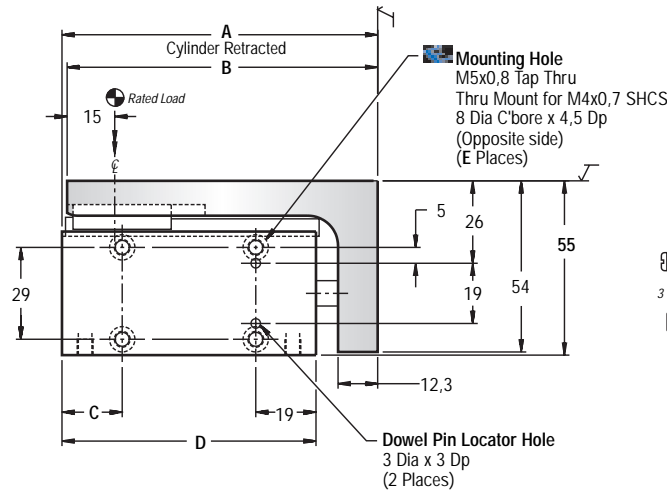
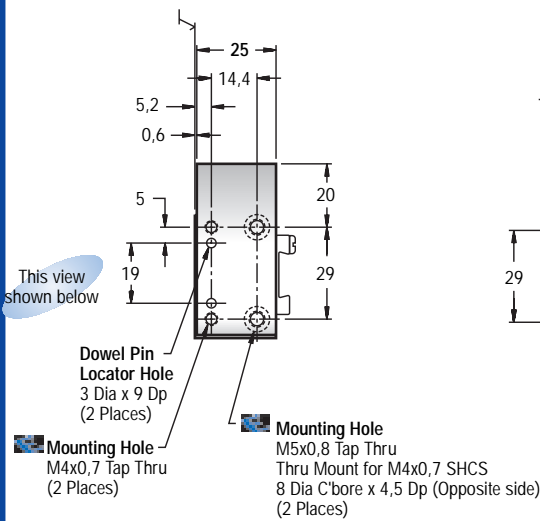
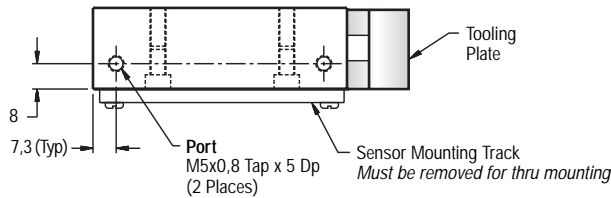


Fittings: 10-32 inch thread fitting will fit and function in M5 port. Available factory installed.



Dowel Pin Locator Holes are designed for location and additional shear strength.

Part Number	Stock Stroke Length (mm)	A	B	C	D	E
BSC2B20x___	5, 10, 15	64,5	62,5	—	45	2
BSC2B20x___	20, 25, 30	79,5	77,5	19	60	4
BSC2B20x___	35, 40, 45, 50	99,5	97,5	19	80	4
BSC2B20x___	55, 60, 65, 70, 75	124,5	122,5	19	105	4



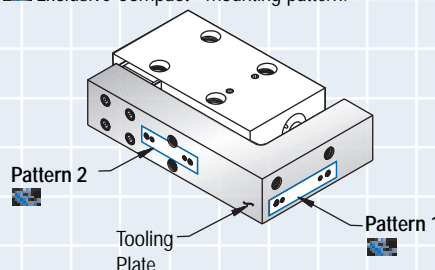
Easy Multi-Axis Assemblies

Exclusive Compact® mounting pattern.

Both surfaces on the plate have mounting patterns:

Pattern 1: Adapts to a Compact® BSC1000 Series mounting platform - or - a BSC2000 Series, Style 'B' cylinder, both of the same bore size. *Also can be used for general purpose mounting.*

Pattern 2: Adapts to a Compact® BSC2000 Series, Style 'B' cylinder of the same bore size. *Also can be used for general purpose mounting.*



BSC2000 Series

20mm Bore • 20mm Bore • 20mm Bore • 20mm Bore

BSC2000 Series



First Angle Projection Double Acting

Fittings: 10-32 inch thread fitting will fit and function in M5 port. Available factory installed.

BSC2000 Series

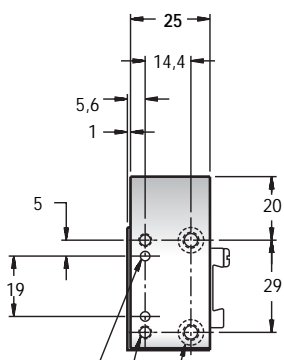
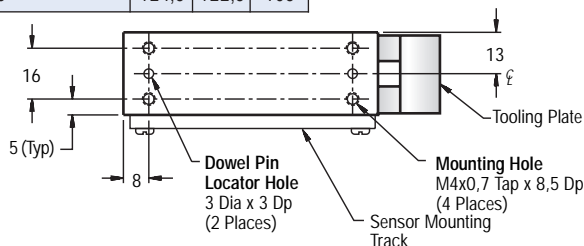
20mm Bore

BSC2000 Series

Part Number	Stock Stroke Length (mm)	A	B	C
BSC2T20x__	5, 10, 15	64,5	62,5	45
BSC2T20x__	20, 25, 30	79,5	77,5	60
BSC2T20x__	35, 40, 45, 50	99,5	97,5	80
BSC2T20x__	55, 60, 65, 70, 75	124,5	122,5	105

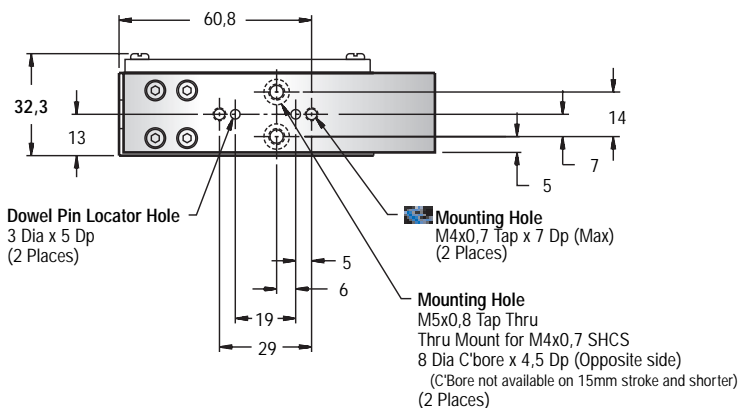
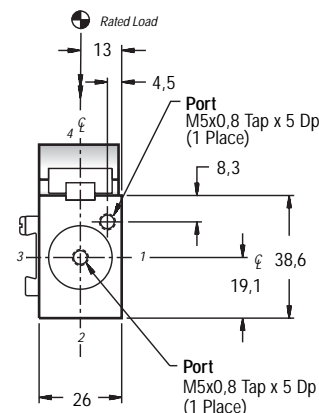
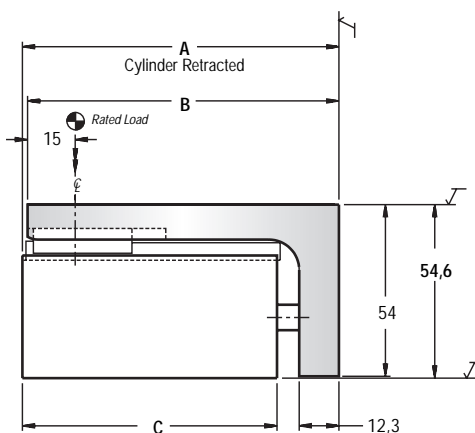


Dowel Pin Locator Holes are designed for location and additional shear strength.



Mounting Hole
M5x0,8 Tap Thru
Thru Mount for M4x0,7 SHCS
8 Dia C'bore x 4,5 Dp (Opposite side)
(2 Places)

This view shown below



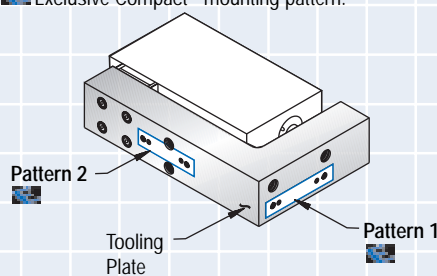
Easy Multi-Axis Assemblies

Exclusive Compact® mounting pattern.

Both surfaces on the plate have mounting patterns:

Pattern 1: Adapts to a Compact® BSC1000 Series mounting platform - or - a BSC2000 Series, Style 'B' cylinder, both of the same bore size. Also can be used for general purpose mounting.

Pattern 2: Adapts to a Compact® BSC2000 Series, Style 'B' cylinder of the same bore size. Also can be used for general purpose mounting.



All dimensions shown in millimeters unless otherwise noted.

20mm Bore • 20mm Bore • 20mm Bore • 20mm Bore • 20mm Bore

BSC2000 Series

BSC 2 (S,B,T) 20 X 25 PC3

COMPACT® Ball Slide Cylinders