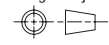


First Angle Projection



Double Acting

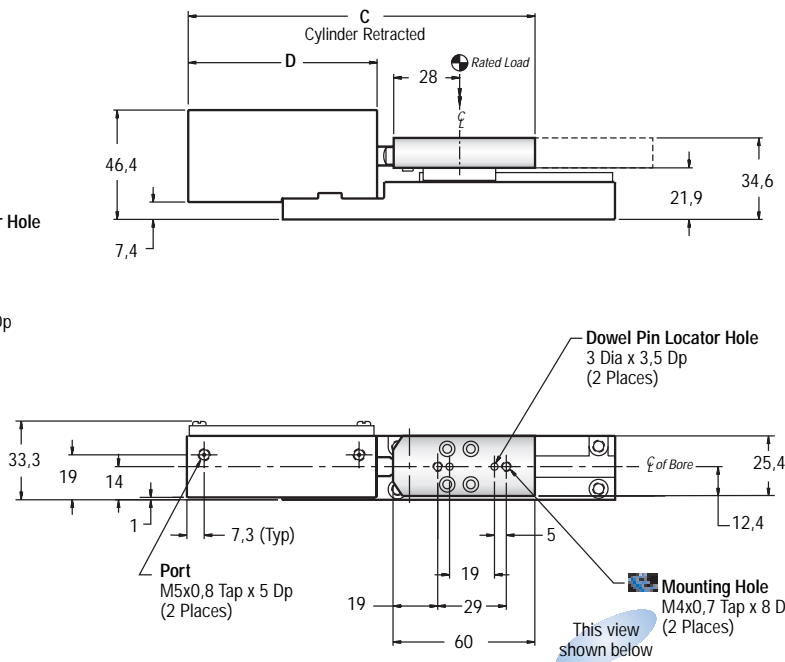
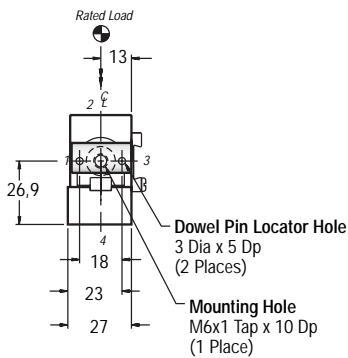
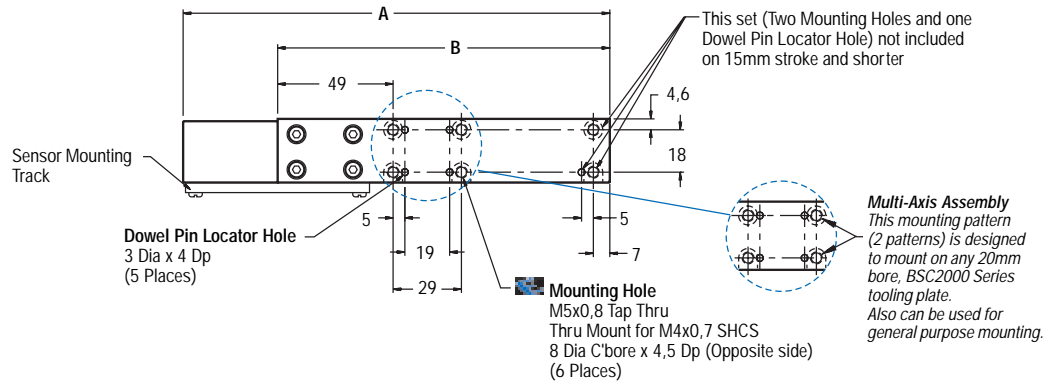


Fittings: 10-32 inch thread fitting will fit and function in M5 port. Available factory installed.



Dowel Pin Locator Holes are designed for location and additional shear strength.

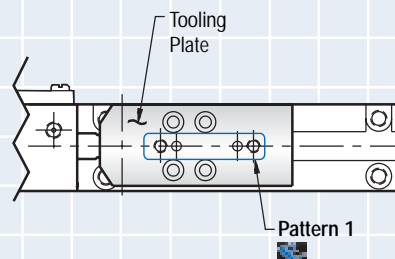
Part Number	Stock Stroke Length (mm)	A	B	C	D
BSC120x__	5 10 15	111	106	112	45
BSC120x__	20 25 30	141	121	127	60
BSC120x__	35 40 45 50	181	141	147	80
BSC120x__	55 60 65 70 75	231	166	172	105



Easy Multi-Axis Assemblies

Exclusive Compact® mounting pattern.

Pattern 1: Adapts to a Compact® BSC2000 Series, Style 'B' cylinder, of the same bore size. Also can be used for general purpose mounting.



All dimensions shown in millimeters unless otherwise noted.