

2-1/2" Bore

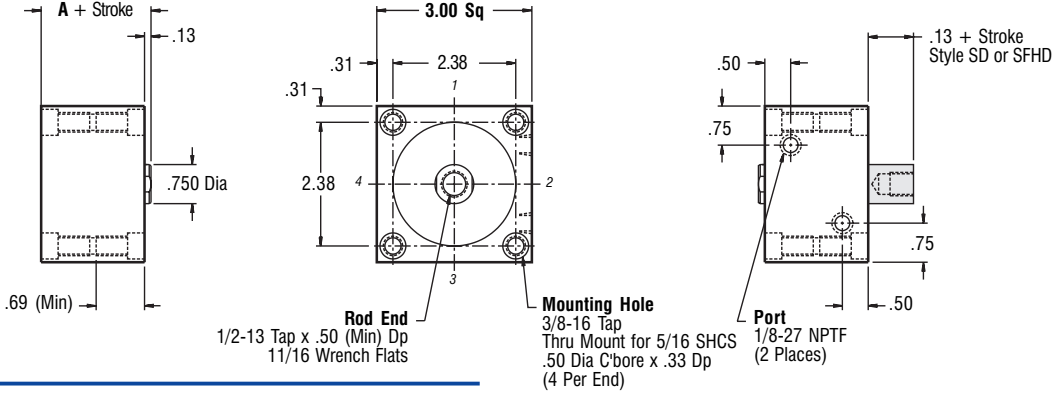
Non Magnetic Piston

2-1/2" Bore • 2-1/2" Bore • 2-1/2" Bore • 2-1/2" Bore • 2-1/2" Bore

Part Number

| Duty | Single Rod | Double Rod | Stock Stroke Length | A |
|--------------|------------|------------|------------------------------|------|
| Standard | S212x__ | SD212x__ | 1/8, 1/4, 3/8, 1/2, 5/8, 3/4 | 1.38 |
| Intermediate | SHH212x__ | | 1/8, 1/4, 3/8, 1/2 | 1.63 |
| Heavy | SFH212x__ | SFHD212x__ | 1/8, 1/4 | 1.88 |

Standard Mounting: TF TR TBE TM

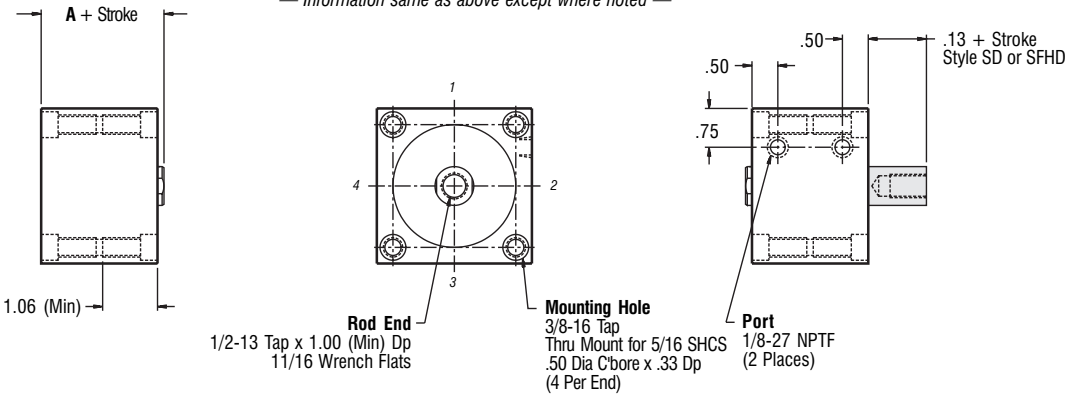


Part Number

| Duty | Single Rod | Double Rod | Stock Stroke Length | A |
|--------------|------------|------------|----------------------|------|
| Standard | S212x__ | SD212x__ | 7/8, 1, 1-1/4, 1-1/2 | 1.38 |
| Intermediate | SHH212x__ | | 5/8, 3/4, 1, 1-1/4 | 1.63 |
| Heavy | SFH212x__ | SFHD212x__ | 3/8, 1/2, 3/4, 1 | 1.88 |

Standard Mounting: TF TR TBE TM

— Information same as above except where noted —

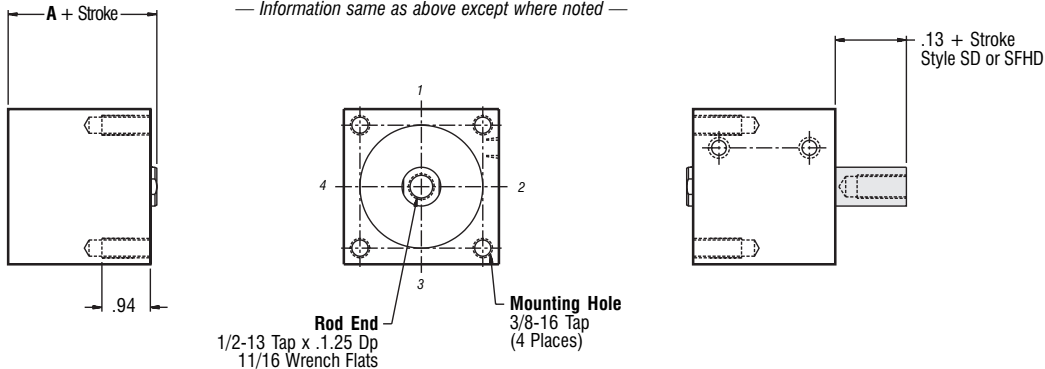


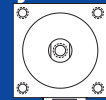
Part Number

| Duty | Single Rod | Double Rod | Stock Stroke Length | A |
|--------------|------------|------------|--|------|
| Standard | S212x__ | SD212x__ | 1-3/4, 2, 2-1/2, 3, 3-1/2, 4 | 1.38 |
| Intermediate | SHH212x__ | | 1-1/2, 1-3/4, 2-1/4, 2-3/4, 3-1/4, 3-3/4 | 1.63 |
| Heavy | SFH212x__ | SFHD212x__ | 1-1/4, 1-1/2, 2, 2-1/2, 3, 3-1/2, 4 | 1.88 |

Standard Mounting: TF
Optional Mounting: TR TBE TM

— Information same as above except where noted —





Magnetic Piston

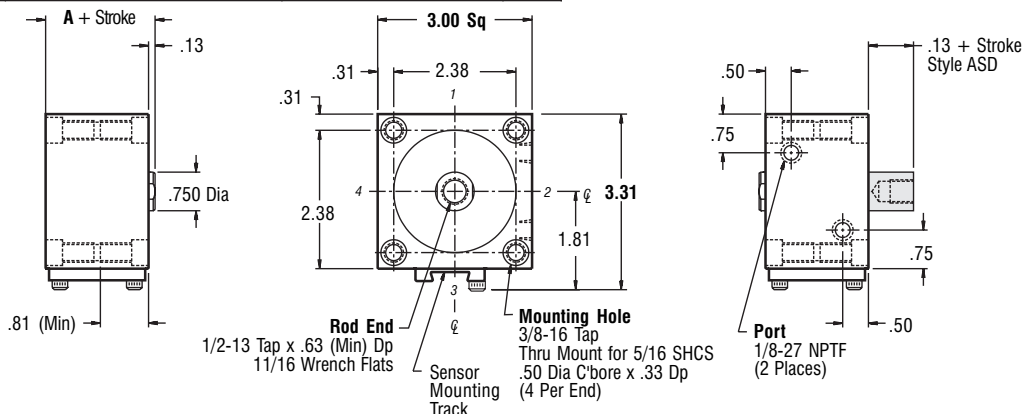
2-1/2" Bore

2-1/2" Bore • 2-1/2" Bore • 2-1/2" Bore • 2-1/2" Bore • 2-1/2" Bore • 2-1/2" Bore

Part Number

| Duty | Single Rod | Double Rod | Stock Stroke Length | A |
|--------------|------------|------------|---------------------|------|
| Standard | AS212x__ | ASD212x__ | 1/8, 1/4, 3/8, 1/2 | 1.63 |
| Intermediate | ASHH212x__ | | 1/8, 1/4 | 1.88 |

Standard Mounting:
TF TR TBE TM

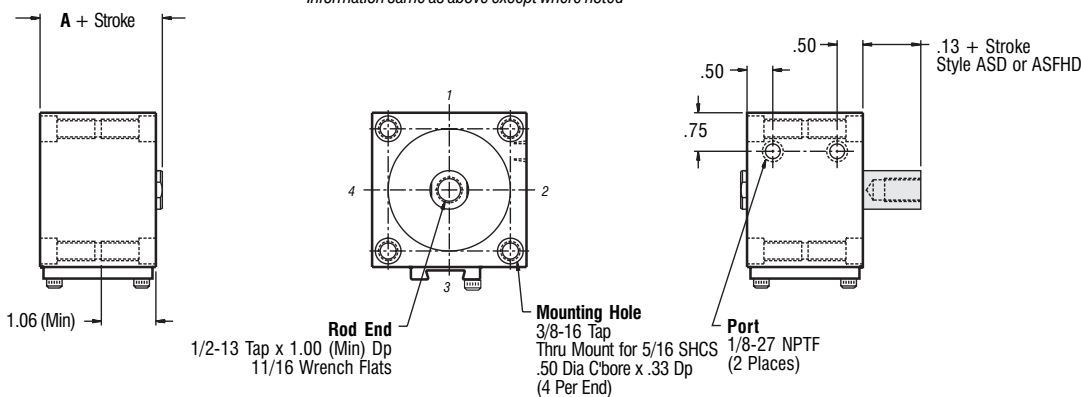


Part Number

| Duty | Single Rod | Double Rod | Stock Stroke Length | A |
|--------------|------------|-------------|---------------------|------|
| Standard | AS212x__ | ASD212x__ | 5/8, 3/4, 1, 1-1/4 | 1.63 |
| Intermediate | ASHH212x__ | | 3/8, 1/2, 3/4, 1 | 1.88 |
| Heavy | ASFH212x__ | ASFHD212x__ | 1/8, 1/4, 1/2, 3/4 | 2.13 |

Standard Mounting:
TF TR TBE TM

— Information same as above except where noted —

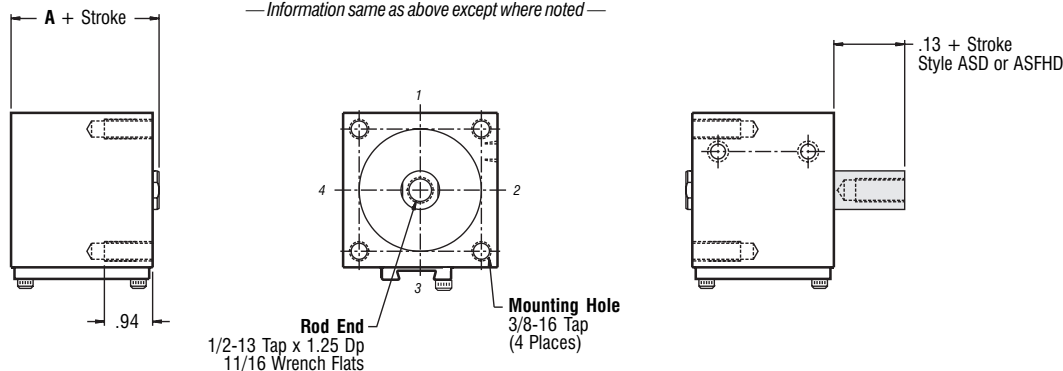


Part Number

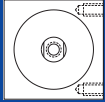
| Duty | Single Rod | Double Rod | Stock Stroke Length | A |
|--------------|------------|-------------|---|------|
| Standard | AS212x__ | ASD212x__ | 1-1/2, 1-3/4, 2-1/4, 2-3/4, 3-1/4, 3-3/4 | 1.63 |
| Intermediate | ASHH212x__ | | 1-1/4, 1-1/2, 2, 2-1/2, 3, 3-1/2, 4 | 1.88 |
| Heavy | ASFH212x__ | ASFHD212x__ | 1, 1-1/4, 1-3/4, 2-1/4, 2-3/4, 3-1/4, 3-3/4 | 2.13 |

Standard Mounting: TF
Optional Mounting: TR TBE TM

— Information same as above except where noted —



Part Number X Stroke Options - See 'Options' section



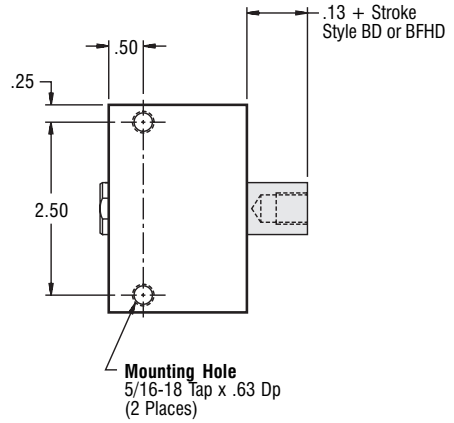
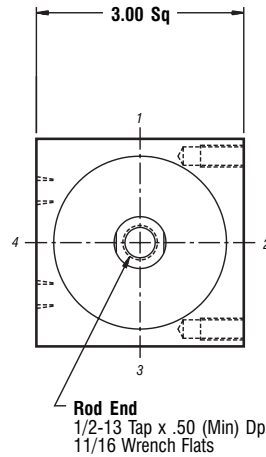
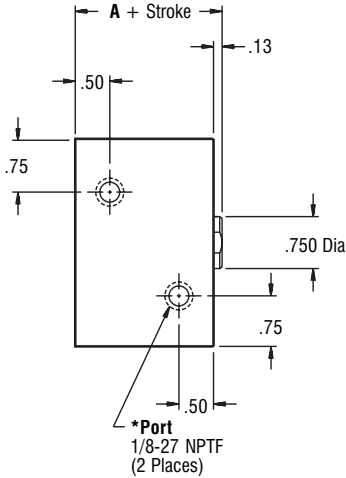
2-1/2" Bore Non Magnetic Piston

Part Number

| Duty | Single Rod | Double Rod | Stock Stroke Length | A |
|--------------|------------|------------|------------------------------|------|
| Standard | B212x__ | BD212x__ | 1/8, 1/4, 3/8, 1/2, 5/8, 3/4 | 1.38 |
| Intermediate | BHH212x__ | | 1/8, 1/4, 3/8, 1/2 | 1.63 |
| Heavy | BFH212x__ | BFHD212x__ | 1/8, 1/4 | 1.88 |

Port Orientation:
(Introduction Section)
Threads Port Side

*Optional Porting: 1/4-18 NPTF



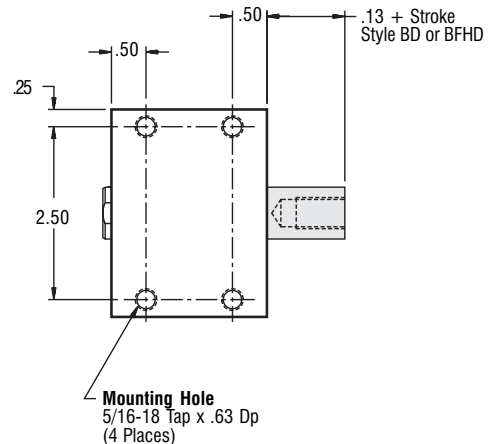
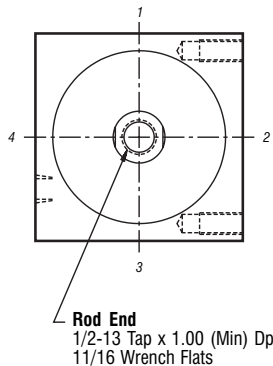
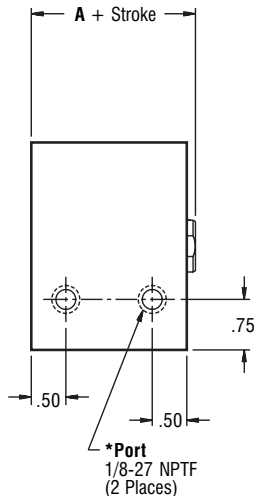
Part Number

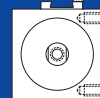
| Duty | Single Rod | Double Rod | Stock Stroke Length | A |
|--------------|------------|------------|--|------|
| Standard | B212x__ | BD212x__ | 7/8, 1, 1-1/4, 1-1/2, 1-3/4, 2, 2-1/2, 3, 3-1/2, 4 | 1.38 |
| Intermediate | BHH212x__ | | 5/8, 3/4, 1, 1-1/4, 1-1/2, 1-3/4, 2-1/4, 2-3/4, 3-1/4, 3-3/4 | 1.63 |
| Heavy | BFH212x__ | BFHD212x__ | 3/8, 1/2, 3/4, 1, 1-1/4, 1-1/2, 2, 2-1/2, 3, 3-1/2, 4 | 1.88 |

Port Orientation:
(Introduction Section)
Threads Port Side

*Optional Porting: 1/4-18 NPTF

— Information same as above except where noted —





Magnetic Piston

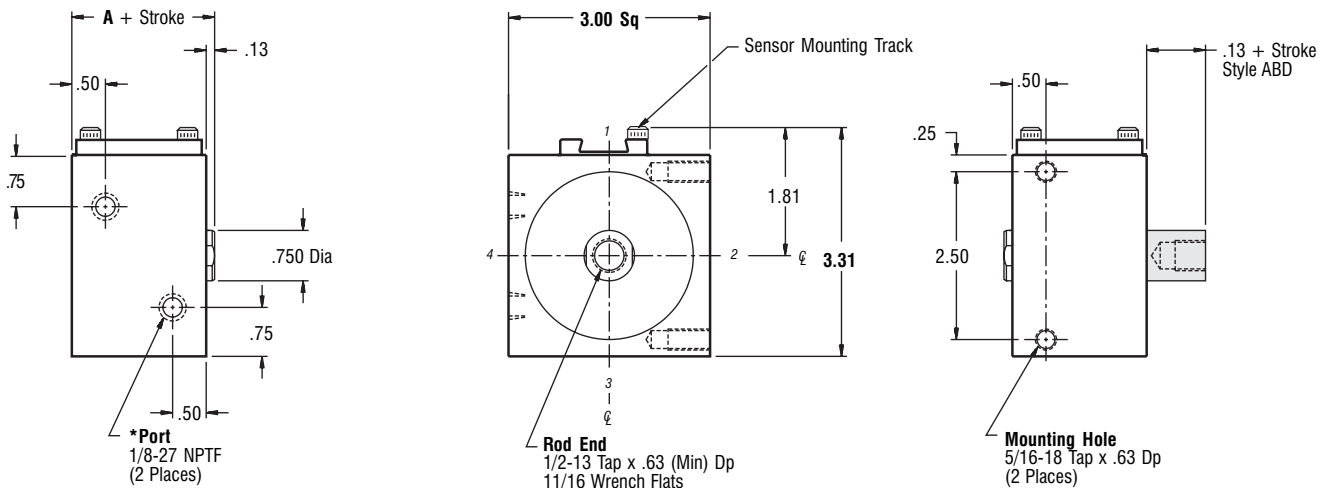
2-1/2" Bore

Part Number

| Duty | Single Rod | Double Rod | Stock Stroke Length | A |
|--------------|------------|------------|---------------------|------|
| Standard | AB212x__ | ABD212x__ | 1/8, 1/4, 3/8, 1/2 | 1.63 |
| Intermediate | ABHH212x__ | | 1/8, 1/4 | 1.88 |

Port Orientation:
(Introduction Section)
Threads Port Side

*Optional Porting: 1/8-27 NPTF



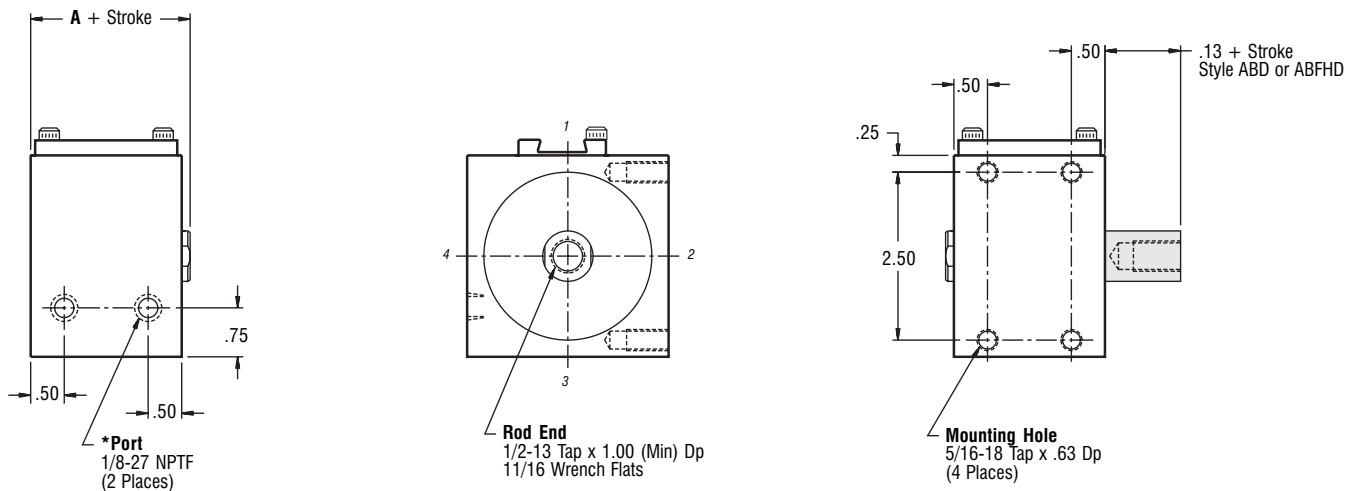
Part Number

| Duty | Single Rod | Double Rod | Stock Stroke Length | A |
|--------------|------------|-------------|---|------|
| Standard | AB212x__ | ABD212x__ | 5/8, 3/4, 1, 1-1/4, 1-1/2, 1-3/4, 2-1/4, 2-3/4, 3-1/4, 3-3/4 | 1.63 |
| Intermediate | ABHH212x__ | | 3/8, 1/2, 3/4, 1, 1-1/4, 1-1/2, 2, 2-1/2, 3, 3-1/2, 4 | 1.88 |
| Heavy | ABFH212x__ | ABFHD212x__ | 1/8, 1/4, 1/2, 3/4, 1, 1-1/4, 1-3/4, 2-1/4, 2-3/4, 3-1/4, 3-3/4 | 2.13 |

Port Orientation:
(Introduction Section)
Threads Port Side

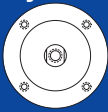
*Optional Porting: 1/4-18 NPTF

— Information same as above except where noted —



Part Number X Stroke Options - See 'Options' section

2-1/2" Bore • 2-1/2" Bore • 2-1/2" Bore • 2-1/2" Bore • 2-1/2" Bore



2-1/2" Bore Non Magnetic Piston

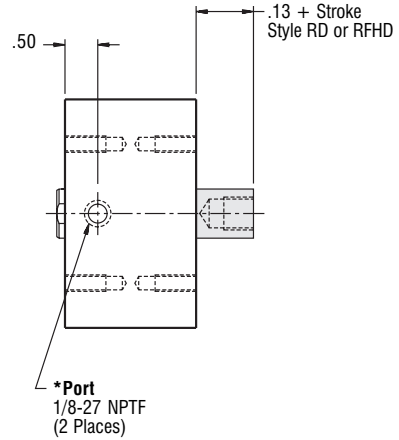
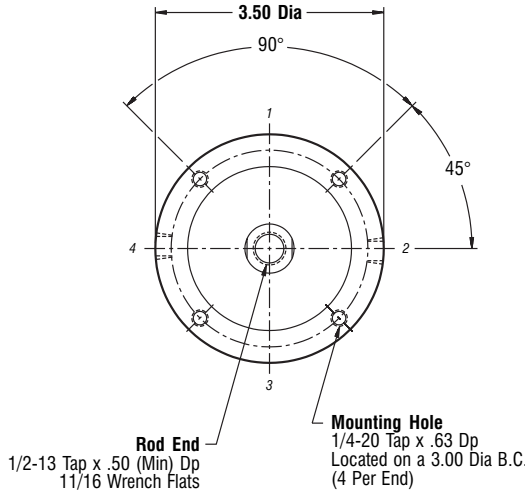
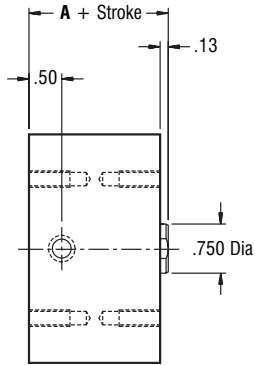
2-1/2" Bore • 2-1/2" Bore • 2-1/2" Bore • 2-1/2" Bore • 2-1/2" Bore

Part Number

| Duty | Single Rod | Double Rod | Stock Stroke Length | A |
|--------------|------------|------------|------------------------------|------|
| Standard | R212x__ | RD212x__ | 1/8, 1/4, 3/8, 1/2, 5/8, 3/4 | 1.38 |
| Intermediate | RHH212x__ | | 1/8, 1/4, 3/8, 1/2 | 1.63 |
| Heavy | RFH212x__ | RFHD212x__ | 1/8, 1/4 | 1.88 |

Standard Mounting: **TF TR TBE**
 Optional Mounting: **TM**

*Optional Poritng: 1/4-18 NPTF



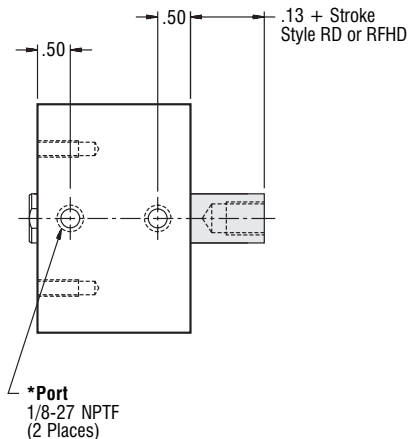
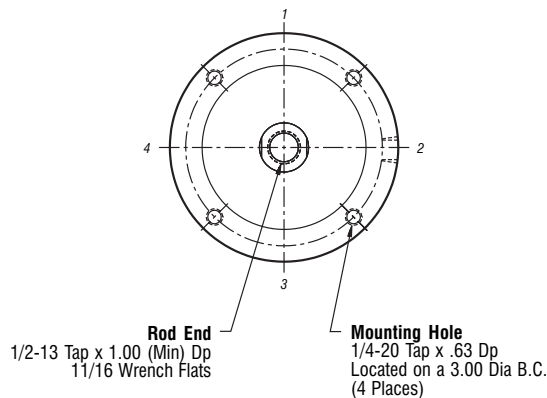
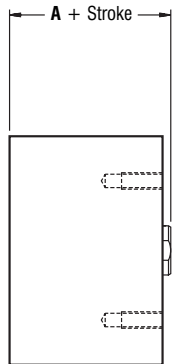
Part Number

| Duty | Single Rod | Double Rod | Stock Stroke Length | A |
|--------------|------------|------------|--|------|
| Standard | R212x__ | RD212x__ | 7/8, 1, 1-1/4, 1-1/2, 1-3/4, 2, 2-1/2, 3, 3-1/2, 4 | 1.38 |
| Intermediate | RHH212x__ | | 5/8, 3/4, 1, 1-1/4, 1-1/2, 1-3/4, 2-1/4, 2-3/4, 3-1/4, 3-3/4 | 1.63 |
| Heavy | RFH212x__ | RFHD212x__ | 3/8, 1/2, 3/4, 1, 1-1/4, 1-1/2, 2, 2-1/2, 3, 3-1/2, 4 | 1.88 |

Standard Mounting: **TF**
 Optional Mounting: **TR TBE TM**

*Optional Poritng: 1/4-18 NPTF

— Information same as above except where noted —



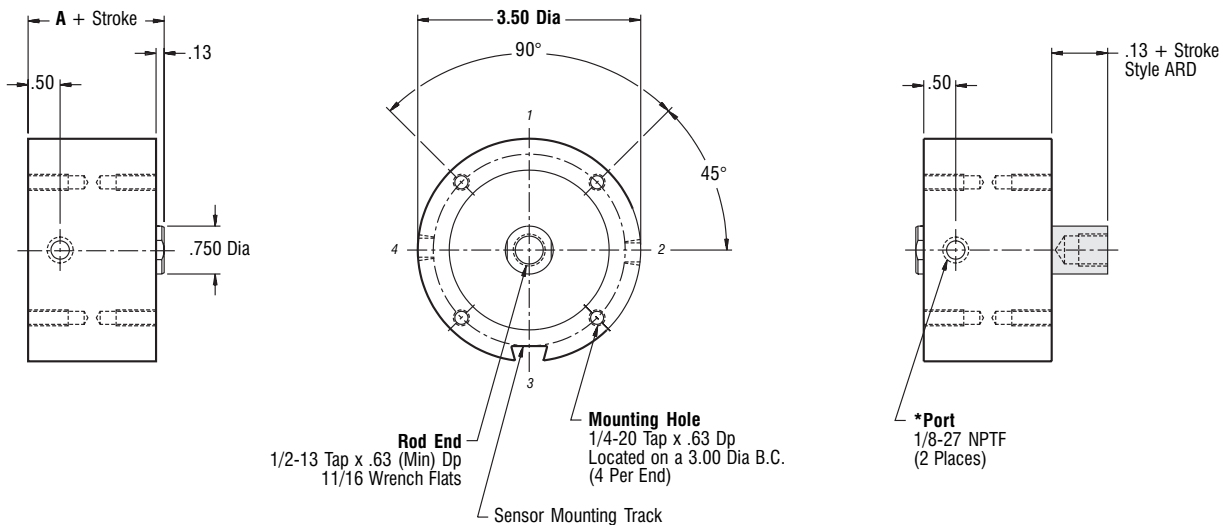


Magnetic Piston

2-1/2" Bore

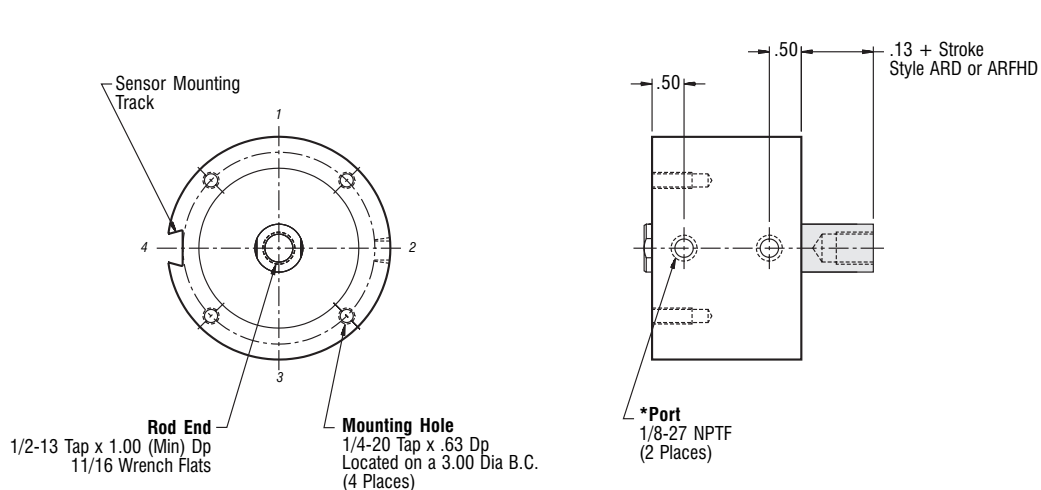
2-1/2" Bore • 2-1/2" Bore • 2-1/2" Bore • 2-1/2" Bore • 2-1/2" Bore

| Part Number | | | | | |
|--------------|------------|------------|---------------------|------|---|
| Duty | Single Rod | Double Rod | Stock Stroke Length | A | Standard Mounting: TF TR TBE Optional Mounting: TM |
| Standard | AR212x__ | ARD212x__ | 1/8, 1/4, 3/8, 1/2 | 1.63 | |
| Intermediate | ARHH212x__ | | 1/8, 1/4 | 1.88 | *Optional Poritng: 1/4-18 NPTF |



| Part Number | | | | | |
|--------------|------------|-------------|---|------|---|
| Duty | Single Rod | Double Rod | Stock Stroke Length | A | Standard Mounting: TF Optional Mounting: TR TBE TM |
| Standard | AR212x__ | ARD212x__ | 5/8, 3/4, 1, 1-1/4, 1-1/2, 1-3/4, 2-1/4, 2-3/4, 3-1/4, 3-3/4 | 1.63 | |
| Intermediate | ARHH212x__ | | 3/8, 1/2, 3/4, 1, 1-1/4, 1-1/2, 2, 2-1/2, 3, 3-1/2, 4 | 1.88 | |
| Heavy | ARFH212x__ | ARFHD212x__ | 1/8, 1/4, 1/2, 3/4, 1, 1-1/4, 1-3/4, 2-1/4, 2-3/4, 3-1/4, 3-3/4 | 2.13 | *Optional Poritng: 1/4-18 NPTF |

— Information same as above except where noted —



X