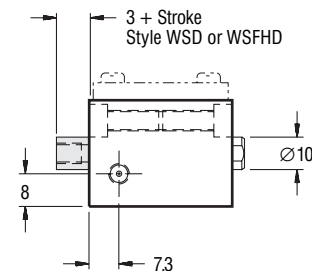
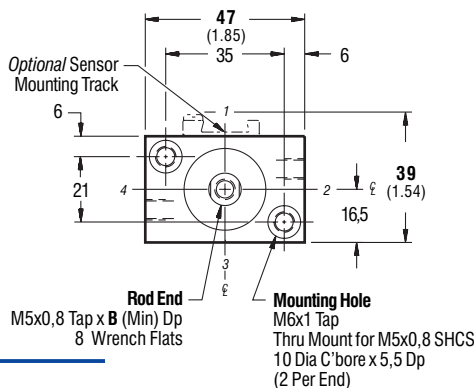
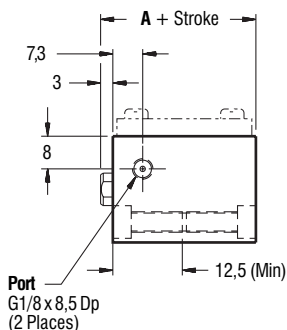


# 25mm Bore

## Non Magnetic and Magnetic Piston

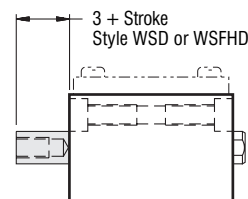
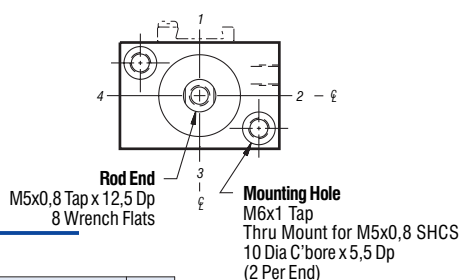
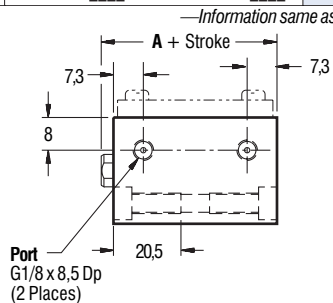
		Part Number		Stock Stroke Length (in 5mm increments)	A	B per 5mm respectively
Duty		Single Rod	Double Rod			
Non Magnetic Piston	Standard	WS25x___	WSD25x___	5, 10, 15	23	8, 10, 12,5
	Intermediate	WSHH25x___		5, 10	28	10, 12,5
	Heavy	WSFH25x___	WSFHD25x___	5	33	12,5
Magnetic Piston	Standard	AWS25x___	AWSD25x___	5, 10	28	10
	Intermediate	AWSHH25x___		5	33	12,5

Standard Mounting:  
TF TR TM TBE



		Part Number		Stock Stroke Length (in 5mm increments)	A
Duty		Single Rod	Double Rod		
Non Magnetic Piston	Standard	WS25x___	WSD25x___	20 - 25	23
	Intermediate	WSHH25x___		15 - 20	28
	Heavy	WSFH25x___	WSFHD25x___	10 - 15	33
Magnetic Piston	Standard	AWS25x___	AWSD25x___	15 - 20	28
	Intermediate	AWSHH25x___		10 - 15	33
	Heavy	AWSFH25x___	AWSFHD25x___	5 - 10	38

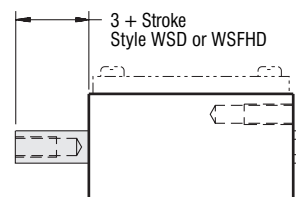
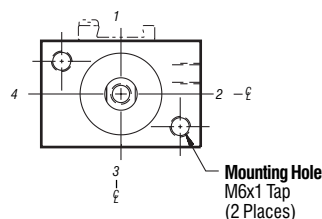
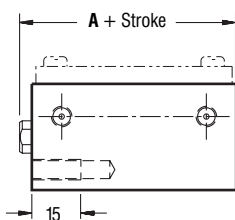
Standard Mounting:  
TF TR TM TBE



—Information same as above except where noted—

		Part Number		Stock Stroke Length (in 5mm increments)	A
Duty		Single Rod	Double Rod		
Non Magnetic Piston	Standard	WS25x___	WSD25x___	30 - 100	23
	Intermediate	WSHH25x___		25 - 100	28
	Heavy	WSFH25x___	WSFHD25x___	20 - 100	33
Magnetic Piston	Standard	AWS25x___	AWSD25x___	25 - 100	28
	Intermediate	AWSHH25x___		20 - 100	33
	Heavy	AWSFH25x___	AWSFHD25x___	15 - 100	38

Standard Mounting: TF  
Optional Mounting: Specify suffix  
**TR TBE TM\***  
\*70mm body length and shorter



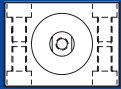
—Information same as above except where noted—



All dimensions are in millimeters unless otherwise noted.

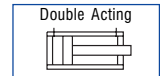
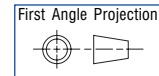
Part Number  X

Stroke Option - See 'Accessories' section



# 25mm Bore

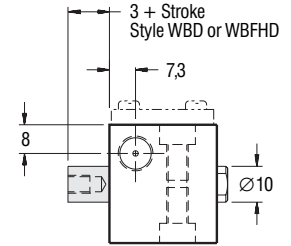
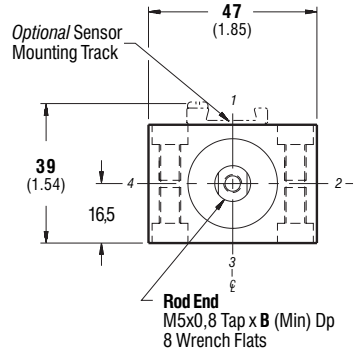
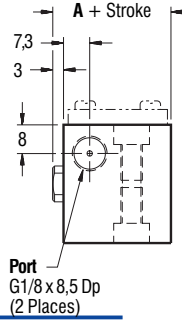
## Side Mount Non Magnetic and Magnetic Piston



25mm Bore • 25mm Bore • 25mm Bore • 25mm Bore • 25mm Bore

Duty	Part Number		Stock Stroke Length in 5mm increments	A	B per 5mm respectively
	Single Rod	Double Rod			
Non Magnetic Piston	Standard	WB25x___ WBD25x___	5, 10, 15	23	8, 10, 12,5
	Intermediate	WBHH25x___	5, 10	28	10, 12,5
	Heavy	WBFH25x___ WBFHD25x___	5	33	12,5
Magnetic Piston	Standard	AWB25x___ AWBD25x___	5, 10	28	10, 12,5
	Intermediate	AWBHH25x___	5	33	12,5

This stroke length allows only one sensor.

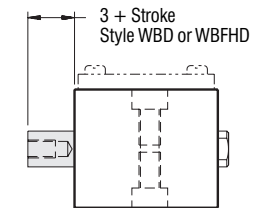
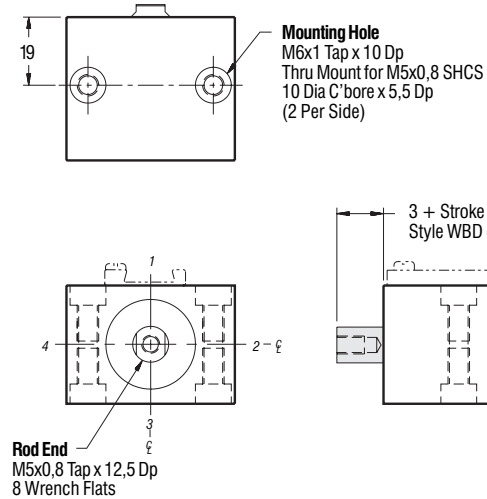
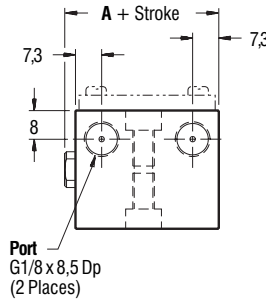


**Mounting Hole**  
M6x1 Tap x 10 Dp  
Thru Mount for M5x0,8 SHCS  
10 Dia C'bore x 5,5 Dp  
(2 Per Side)

Duty	Part Number		Stock Stroke Length (in 5mm increments)	A
	Single Rod	Double Rod		
Non Magnetic Piston	Standard	WB25x___ WBD25x___	20 - 55	23
	Intermediate	WBHH25x___	15 - 50	28
	Heavy	WBFH25x___ WBFHD25x___	10 - 45	33
Magnetic Piston	Standard	AWB25x___ AWBD25x___	15 - 50	28
	Intermediate	AWBHH25x___	10 - 45	33
	Heavy	AWBFH25x___ AWBFHDx25___	5 - 40	38

—Information same as above except where noted—

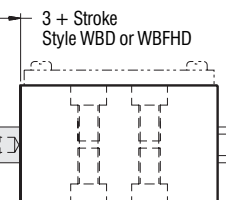
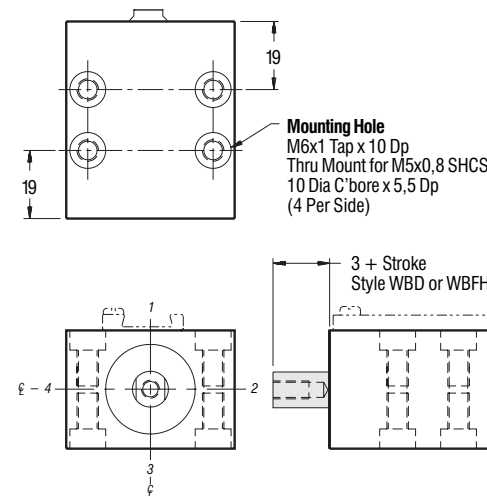
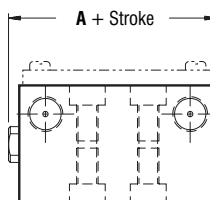
Body lengths 44mm and shorter allow only one sensor.



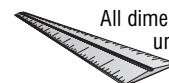
**Mounting Hole**  
M6x1 Tap x 10 Dp  
Thru Mount for M5x0,8 SHCS  
10 Dia C'bore x 5,5 Dp  
(2 Per Side)

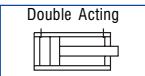
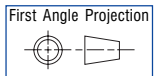
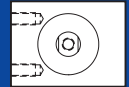
Duty	Part Number		Stock Stroke Length (in 5mm increments)	A
	Single Rod	Double Rod		
Non Magnetic Piston	Standard	WB25x___ WBD25x___	60 - 100	23
	Intermediate	WBHH25x___	55 - 100	28
	Heavy	WBFH25x___ WBFHD25x___	50 - 100	33
Magnetic Piston	Standard	AWB25x___ AWBD25x___	55 - 100	28
	Intermediate	AWBHH25x___	50 - 100	33
	Heavy	AWBFH25x___ AWBFHDx25___	45 - 100	38

—Information same as above except where noted—



**Mounting Hole**  
M6x1 Tap x 10 Dp  
Thru Mount for M5x0,8 SHCS  
10 Dia C'bore x 5,5 Dp  
(4 Per Side)

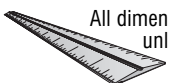
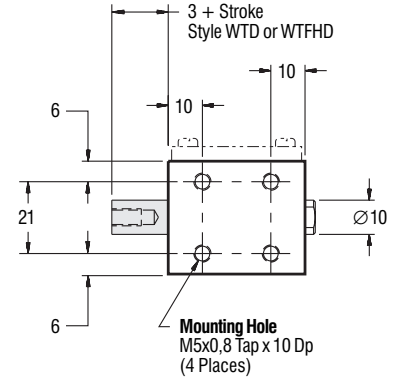
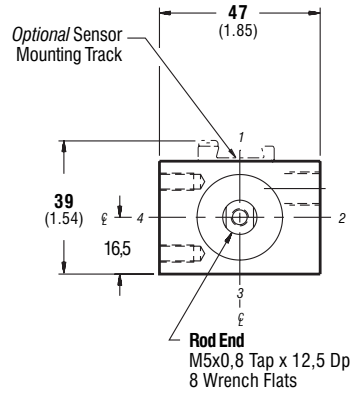
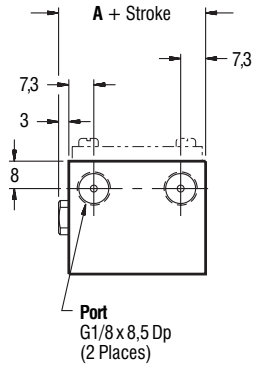




# 25mm Bore

## Non Magnetic and Magnetic Piston Side Mount

Duty		Part Number		Stock Stroke Length (in 5mm increments)	A
		Single Rod	Double Rod		
Non Magnetic Piston	Standard	WT25x_____	WTD25x_____	20 - 100	23
	Intermediate	WTHH25x_____		15 - 100	28
	Heavy	WTFH25x_____	WTFHD25x_____	10 - 100	33
Magnetic Piston	Standard	AWT25x_____	AWTD25x_____	15 - 100	28
	Intermediate	AWTHH25x_____		10 - 100	33
	Heavy	AWTFH25x_____	AWTFHD25x_____	5 - 100	38



All dimensions are in millimeters unless otherwise noted.

Part Number  X

Part Number

Stroke

Option - See 'Accessories' section