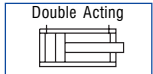
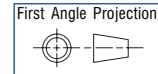


40mm Bore

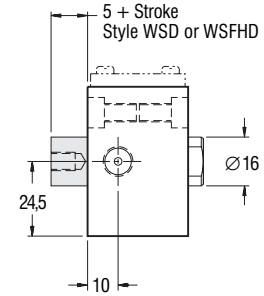
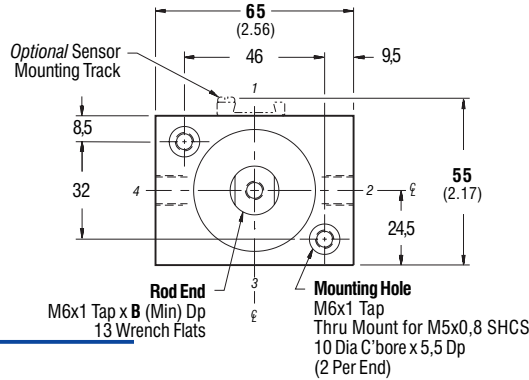
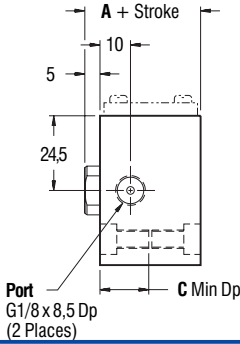
End Mount Non Magnetic and Magnetic Piston



40mm Bore • 40mm Bore • 40mm Bore • 40mm Bore • 40mm Bore

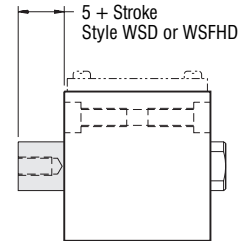
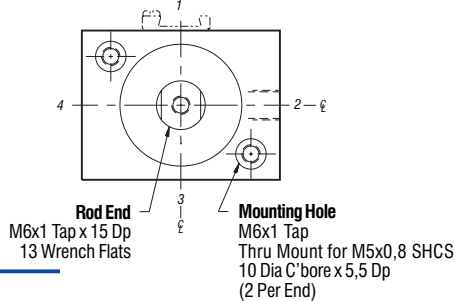
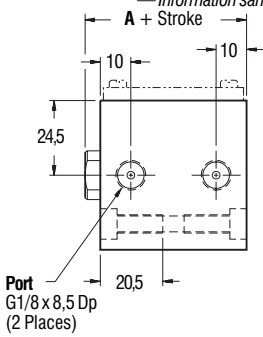
		Part Number		Stock Stroke Length in 5mm increments	A	B per 5mm respectively	C
Duty		Single Rod	Double Rod				
Non Magnetic Piston	Standard	WS40x	WSD40x	5, 10, 15	31	9, 12, 14	15,5
	Intermediate	WSHH40x		5, 10	36	12, 14	18
	Heavy	WSFH40x	WSFHD40x	5	41	14	20,5
Magnetic Piston	Standard	AWS40x	AWSD40x	5, 10	36	12, 14	18
	Intermediate	AWSHH40x		5	41	14	20,5

Standard Mounting:
TF TR TM TBE



		Part Number		Stock Stroke Length (in 5mm increments)	A
Duty		Single Rod	Double Rod		
Non Magnetic Piston	Standard	WS40x	WSD40x	20 - 25	31
	Intermediate	WSHH40x		15 - 20	36
	Heavy	WSFH40x	WSFHD40x	10 - 15	41
Magnetic Piston	Standard	AWS40x	AWSD40x	15 - 20	36
	Intermediate	AWSHH40x		10 - 15	41
	Heavy	AWSFH40x	AWSFHD40x	5 - 10	46

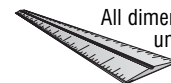
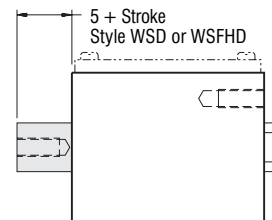
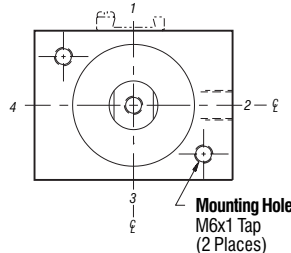
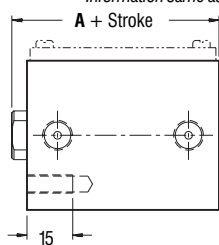
Standard Mounting:
TF TR TM TBE

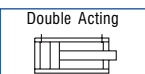
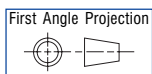
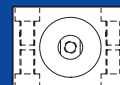


		Part Number		Stock Stroke Length (in 5mm increments)	A
Duty		Single Rod	Double Rod		
Non Magnetic Piston	Standard	WS40x	WSD40x	30 - 100	31
	Intermediate	WSHH40x		25 - 100	36
	Heavy	WSFH40x	WSFHD40x	20 - 100	41
Magnetic Piston	Standard	AWS40x	AWSD40x	25 - 100	36
	Intermediate	AWSHH40x		20 - 100	41
	Heavy	AWSFH40x	AWSFHD40x	15 - 100	46

Standard Mounting: **TF**
Optional Mounting: Specify suffix

TR TBE TM*
*76mm body length and shorter





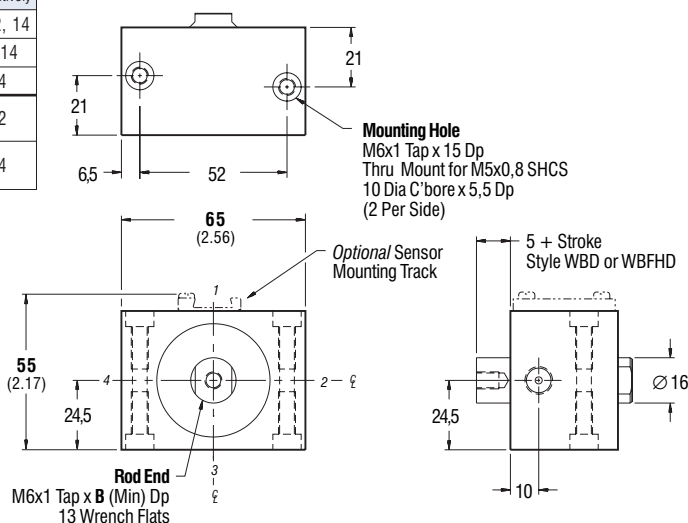
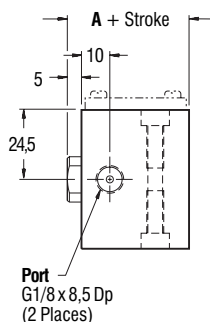
40mm Bore

Non Magnetic and Magnetic Piston Side Mount

40mm Bore • 40mm Bore • 40mm Bore • 40mm Bore • 40mm Bore • 40mm Bore

		Part Number		Stock Stroke Length (in 5mm increments)	A	B per 5mm respectively
Duty		Single Rod	Double Rod			
Non Magnetic Piston	Standard	WB40x____	WBD40x____	5, 10, 15	31	9, 12, 14
	Intermediate	WBHH40x____		5, 10	36	12, 14
	Heavy	WBFH40x____	WBFHD40x____	5	41	14
Magnetic Piston	Standard	AWB40x____	AWBD40x____	5, 10	36	12
	Intermediate	AWBHH40x____		5	41	14

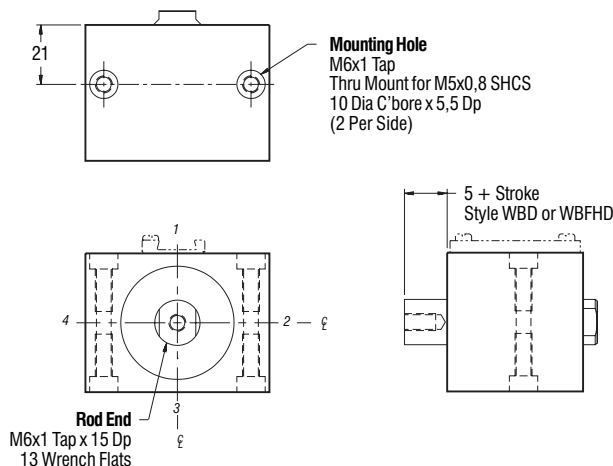
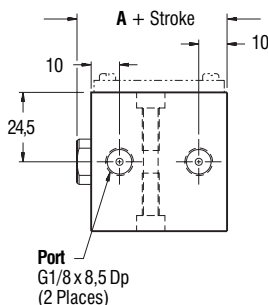
This stroke length allows only one sensor.



		Part Number		Stock Stroke Length (in 5mm increments)	A
Duty		Single Rod	Double Rod		
Non Magnetic Piston	Standard	WB40x____	WBD40x____	20 - 55	31
	Intermediate	WBHH40x____		15 - 50	36
	Heavy	WBFH40x____	WBFHD40x____	10 - 45	41
Magnetic Piston	Standard	AWB40x____	AWBD40x____	15 - 50	36
	Intermediate	AWBHH40x____		10 - 45	41
Heavy	AWBFH40x____	AWBFHD40x____	5 - 40	46	

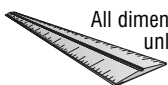
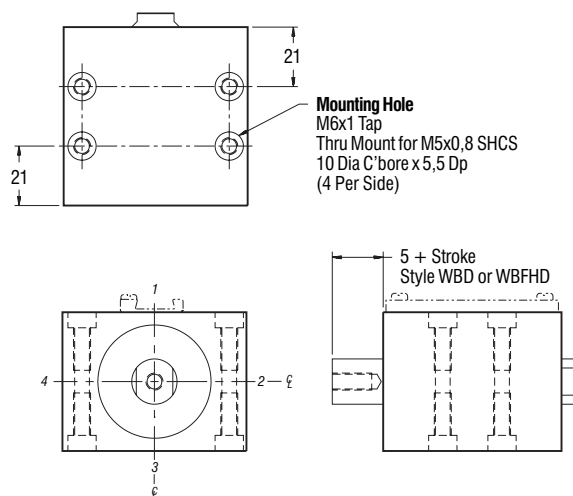
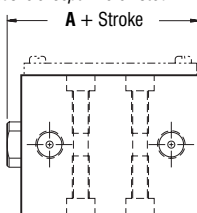
— Information same as above except where noted —

Body lengths 50mm and shorter allow only one sensor.



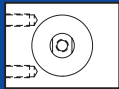
		Part Number		Stock Stroke Length (in 5mm increments)	A
Duty		Single Rod	Double Rod		
Non Magnetic Piston	Standard	WB40x____	WBD40x____	60 - 100	31
	Intermediate	WBHH40x____		55 - 100	36
	Heavy	WBFH40x____	WBFHD40x____	50 - 100	41
Magnetic Piston	Standard	AWB40x____	AWBD40x____	55 - 100	36
	Intermediate	AWBHH40x____		50 - 100	41
Heavy	AWBFH40x____	AWBFHD40x____	45 - 100	46	

— Information same as above except where noted —

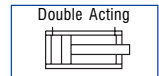
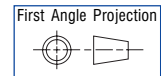


All dimensions are in millimeters unless otherwise noted.

Part Number X Stroke Option - See 'Accessories' section



40mm Bore



Side Mount

Non Magnetic and Magnetic Piston

40mm Bore • 40mm Bore • 40mm Bore • 40mm Bore • 40mm Bore • 40mm Bore

Duty	Part Number		Stock Stroke Length (in 5mm increments)	A
	Single Rod	Double Rod		
Non Magnetic Piston	Standard	WT40x_____	20 - 100	31
	Intermediate	WTHH40x_____	15 - 100	36
	Heavy	WTFH40x_____	WTFHD40x_____	10 - 100
Magnetic Piston	Standard	AWT40x_____	15 - 100	36
	Intermediate	AWTHH40x_____	10 - 100	41
	Heavy	AWTFH40x_____	AWTFHD40x_____	5 - 100



Body lengths 50mm and shorter allow only one sensor.

