

First Angle Projection Double Acting

**Fittings:** 10-32 inch thread fitting will fit and function in M5 port. Available factory installed.

# BSC2000 Series

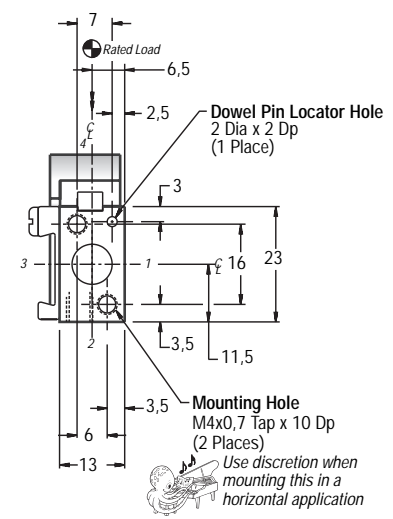
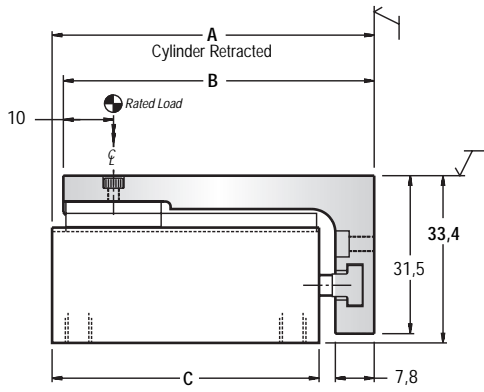
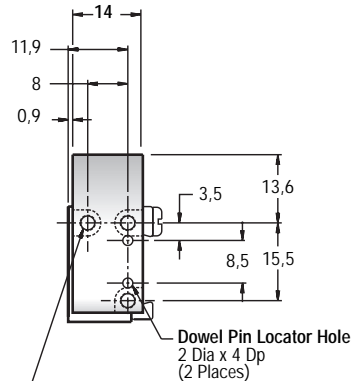
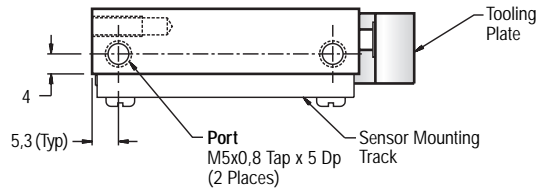
# 8mm Bore

BSC2000 Series

Part Number	Stock Stroke Length (mm)	A	B	C
BSC2S8x___	2,5 5 7,5 10 12,5 15	49	47	38
BSC2S8x___	17,5 20 22,5 25 27,5 30	64	62	53

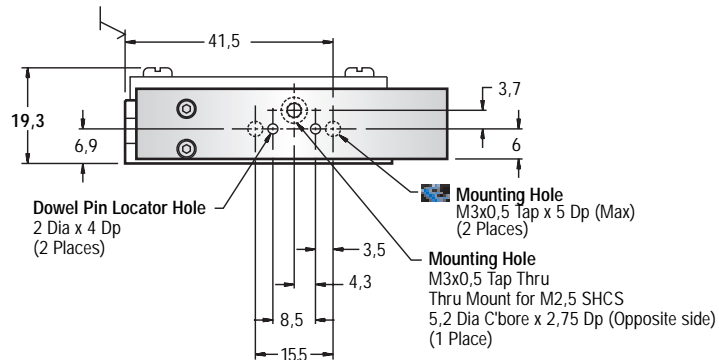


Dowel Pin Locator Holes are designed for location and additional shear strength.



This view shown below

Mounting Hole M3x0,5 Tap Thru Thru Mount for M2,5 SHCS 5,2 Dia C'bore x 2,75 Dp (Opposite side) (3 Places)



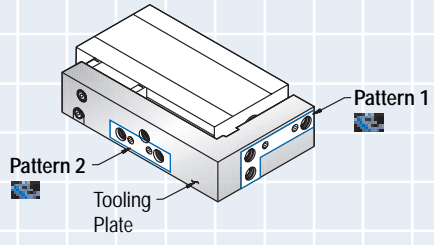
## Easy Multi-Axis Assemblies

Exclusive Compact® mounting pattern.

Both surfaces on the plate have mounting patterns:

**Pattern 1:** Adapts to a Compact® BSC1000 Series mounting platform - or - a BSC2000 Series, Style 'B' cylinder, both of the same bore size. Also can be used for general purpose mounting.

**Pattern 2:** Adapts to a Compact® BSC2000 Series, Style 'B' cylinder of the same bore size. Also can be used for general purpose mounting.



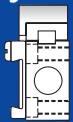
All dimensions shown in millimeters unless otherwise noted.

8mm Bore • 8mm Bore • 8mm Bore • 8mm Bore • 8mm Bore • 8mm Bore • 8mm Bore • 8mm Bore

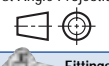
BSC2000 Series

**BSC 2** (S, B, D) **8** x **25** **PC 3**

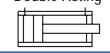
COMPACT® Ball Slide Cylinders



First Angle Projection



Double Acting

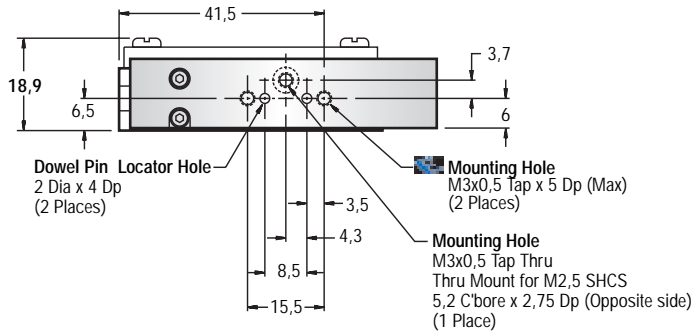
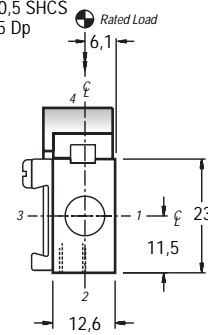
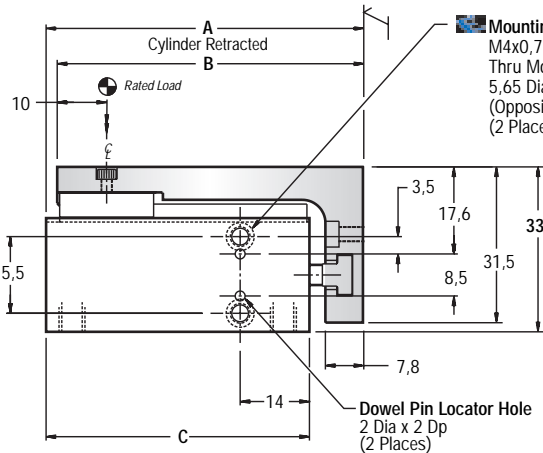
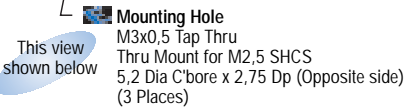
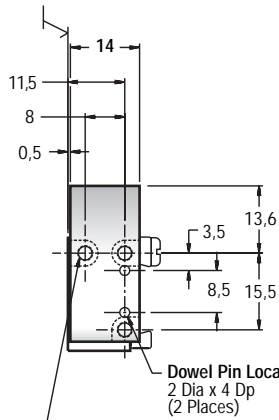
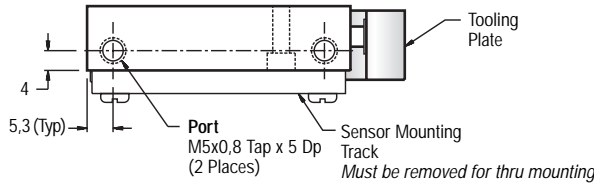


Fittings: 10-32 inch thread fitting will fit and function in M5 port. Available factory installed.



**Dowel Pin Locator Holes** are designed for location and additional shear strength.

Part Number	Stock Stroke Length (mm)	A	B	C
BSC2B8x___	2,5 5 7,5 10 12,5 15	49	47	38
BSC2B8x___	17,5 20 22,5 25 27,5 30	64	62	53



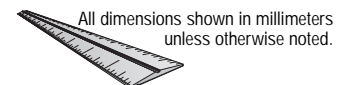
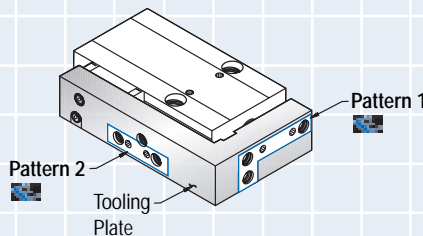
## Easy Multi-Axis Assemblies

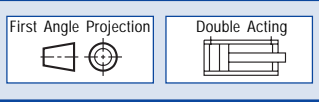
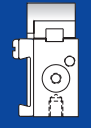
Exclusive Compact® mounting pattern.

Both surfaces on the plate have mounting patterns:

**Pattern 1:** Adapts to a Compact® BSC1000 Series mounting platform - or - a BSC2000 Series, Style 'B' cylinder, both of the same bore size. Also can be used for general purpose mounting.

**Pattern 2:** Adapts to a Compact® BSC2000 Series, Style 'B' cylinder of the same bore size. Also can be used for general purpose mounting.





# BSC2000 Series

# 8mm Bore

BSC2000 Series

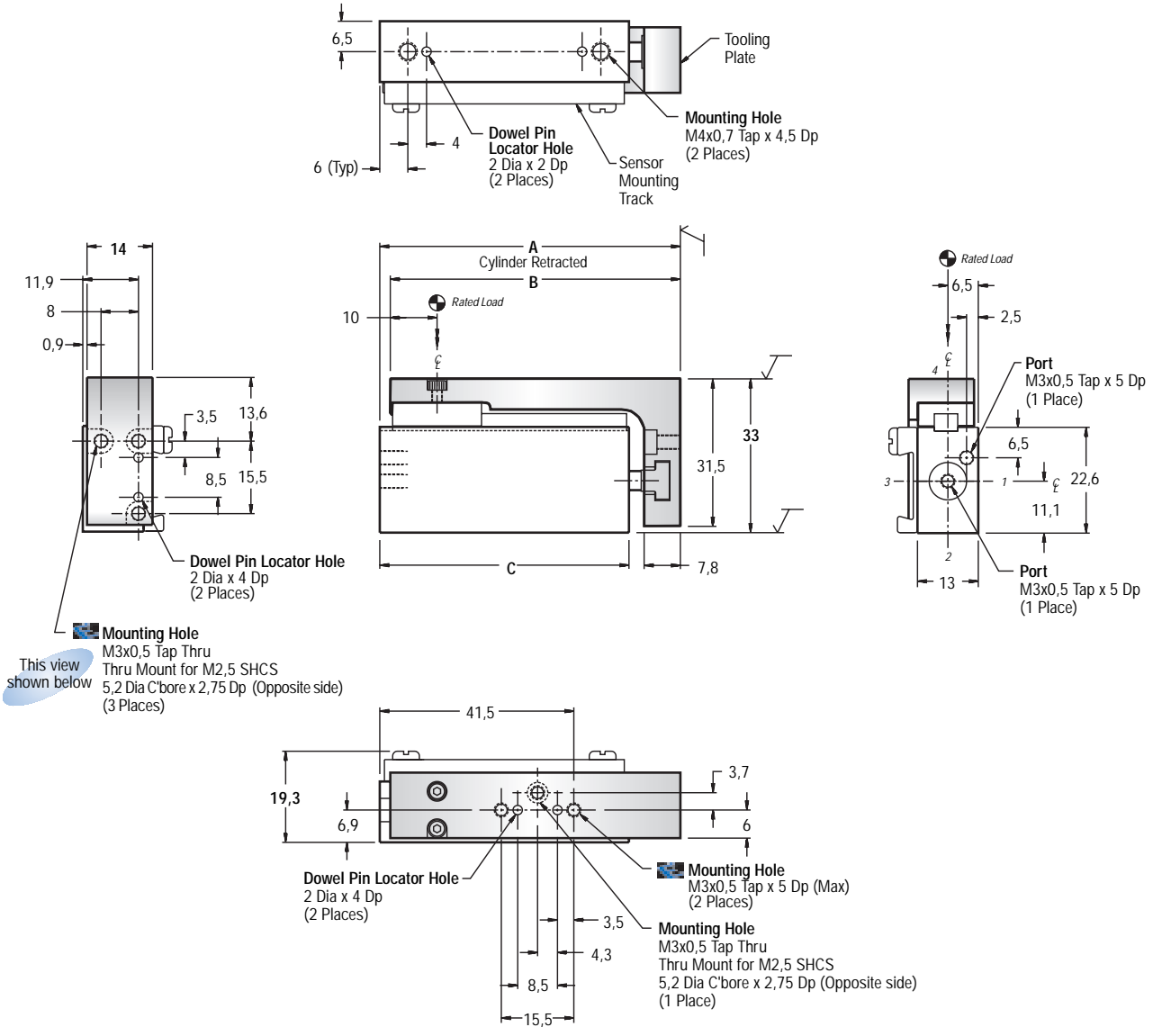
8mm Bore • 8mm Bore • 8mm Bore • 8mm Bore • 8mm Bore • 8mm Bore • 8mm Bore • 8mm Bore • 8mm Bore • 8mm Bore

BSC2000 Series

Part Number	Stock Stroke Length (mm)	A	B	C
BSC2T8x__	2,5 5 7,5 10 12,5 15	49	47	38
BSC2T8x__	17,5 20 22,5 25 27,5 30	64	62	53



Dowel Pin Locator Holes are designed for location and additional shear strength.



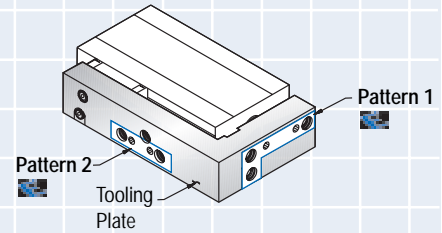
## Easy Multi-Axis Assemblies

Exclusive Compact® mounting pattern.

Both surfaces on the plate have mounting patterns:

**Pattern 1:** Adapts to a Compact® BSC1000 Series mounting platform - or - a BSC2000 Series, Style 'B' cylinder, both of the same bore size. Also can be used for general purpose mounting.

**Pattern 2:** Adapts to a Compact® BSC2000 Series, Style 'B' cylinder of the same bore size. Also can be used for general purpose mounting.



All dimensions shown in millimeters unless otherwise noted.