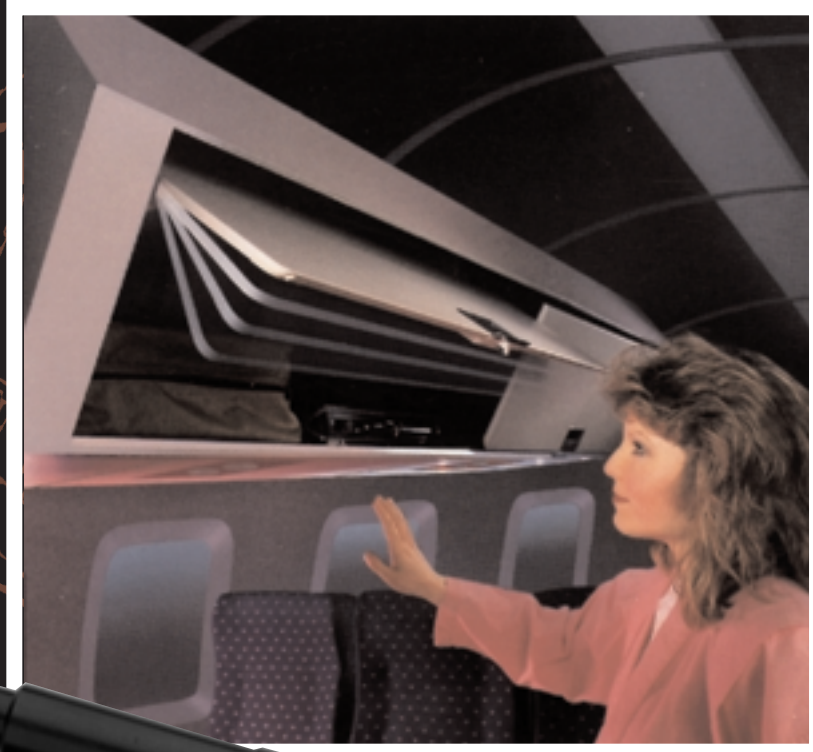


GSR **Gas Spring** **Replacement**

The permanent solution

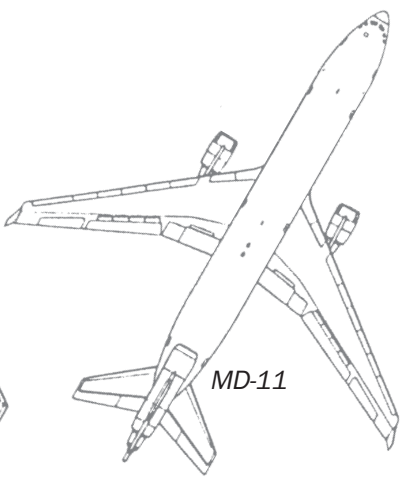


*Smooth, consistent
lifelong operation*

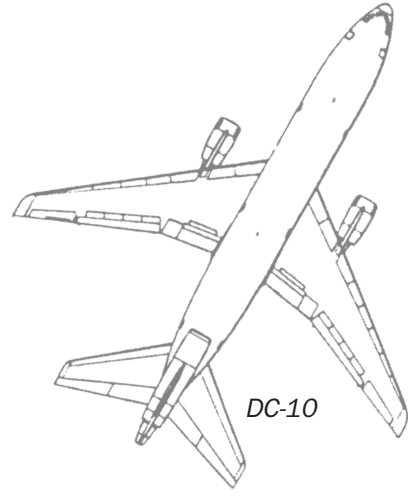
ENIDINE



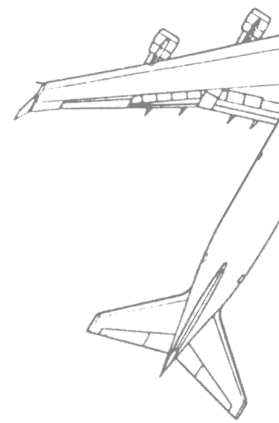
B-777



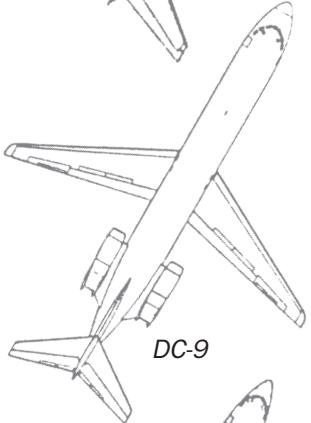
MD-11



DC-10



Once you install Enidine Gas Spring Replac



DC-9

Enidine GSR stowage bin door actuators are engineered to assure smooth, consistent performance over the life of the aircraft.

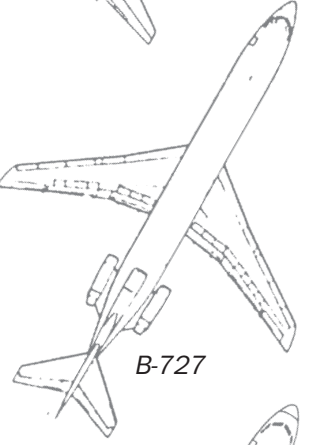
GSR benefits include:

- Extended service life
- Maintenance free
- Weight savings (increased payload)
- Stable performance over temperature range
- Custom designs available

Precision hydraulic damping



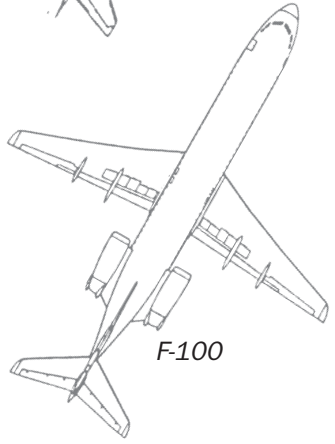
Clevis mounting



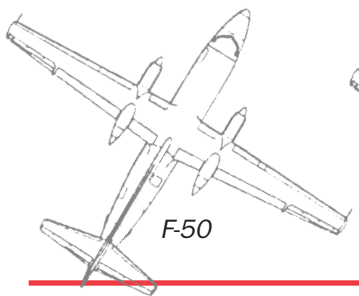
B-727

Enidine GSRs provide superior passenger convenience. They open stowage bin doors automatically, and they assure that the doors are fully opened for easy loading of baggage.

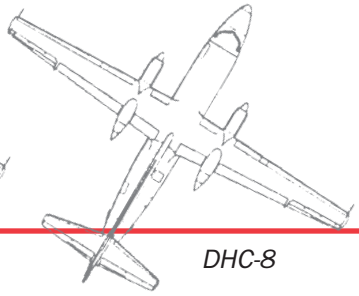
In fact, Enidine GSRs perform so well they've become "The Standard" in the industry, chosen for most commercial aircraft!



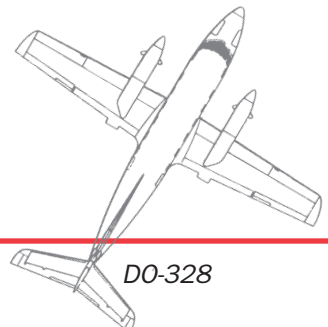
F-100



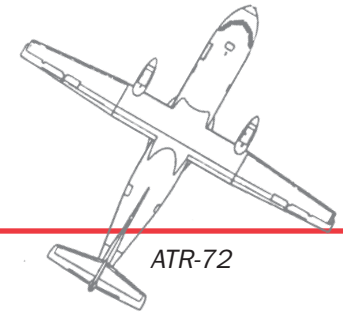
F-50



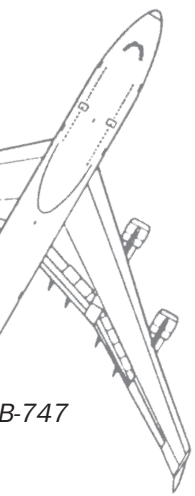
DHC-8



DO-328



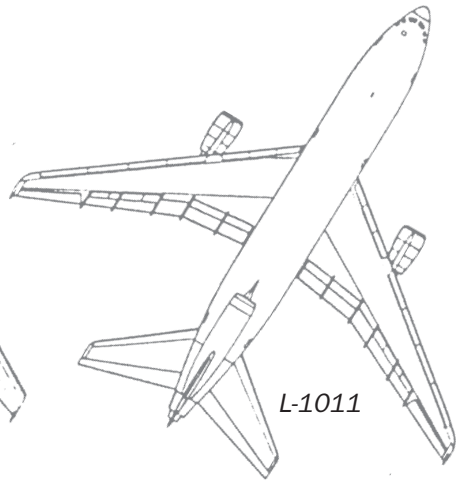
ATR-72



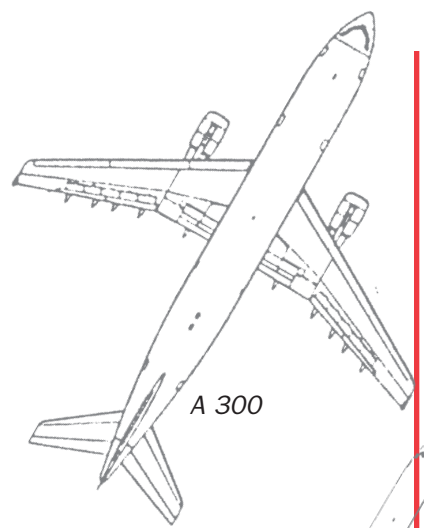
B-747



A-310

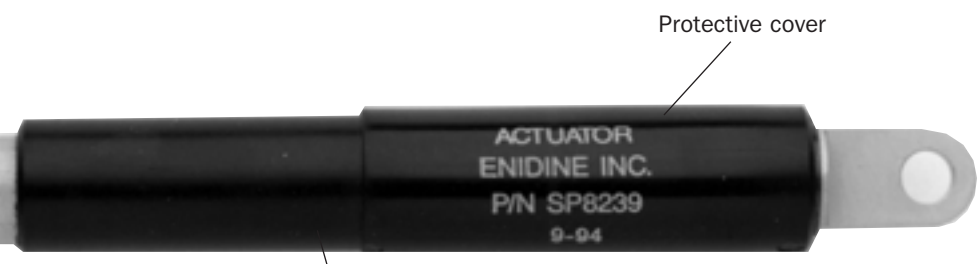


L-1011



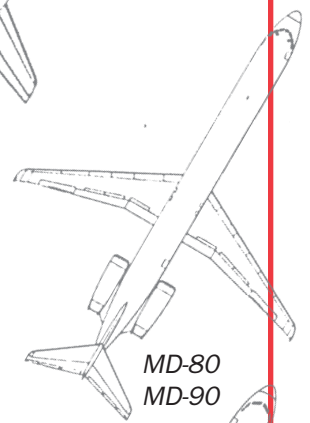
A 300

ements, you'll never worry about them again.

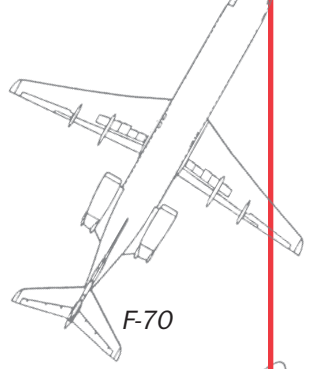


Protective cover

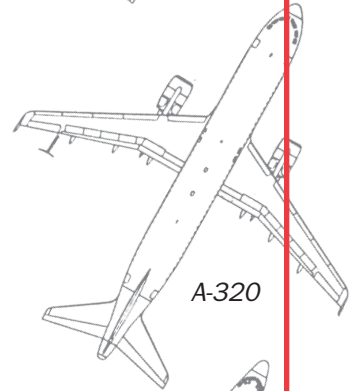
Actuation spring



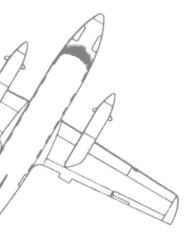
MD-80
MD-90



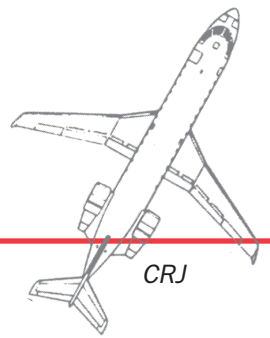
F-70



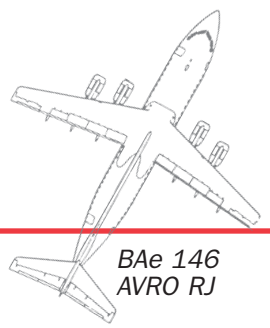
A-320



N-250



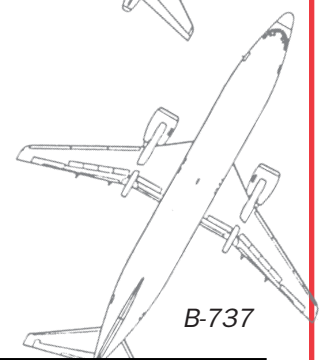
CRJ



BAe 146
AVRO RJ



EMB-145



B-737



Compare and see why so many users specify ENIDINE GSRs

Enidine GSR

Gas Spring

Life expectancy

• Life tested over 250,000 cycles

• Limited life

Weight

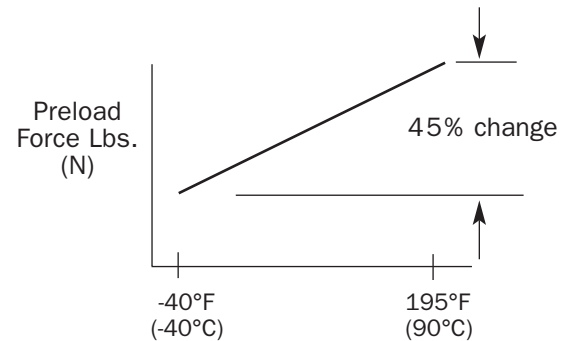
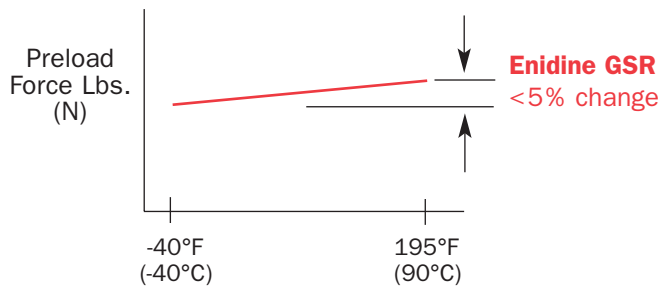
• Lightweight aluminum
• Offers up to 50% weight savings

• Heavy steel construction

Temperature

• Consistent output force

• Inconsistent output force



ENIDINE INCORPORATED

7 Centre Drive
Orchard Park, New York 14127 • USA
Phone: 1 716 662 1900
Fax: 1 716 662 1909

ENIDINE West

212 Technology Dr., Suite M
Irvine, California 92718 • USA
Phone: 1 714 727 9112
Fax: 1 714 727 9107

Subsidiaries and Affiliates:

ENIDINE GmbH

POB 102, 79411 Bad Bellingen
Rheinauenstrasse, 5
79415 Bad Bellingen
Rheinweiler, GERMANY
Phone: 49 7635 8101 0
Fax: 49 7635 8101 99

ENIDINE Co. Ltd.

Ebisu Sato Bldg., 3 Fl.
3-2-12 Ebisu Minami
Shibuya-Ku
Tokyo 150 • JAPAN
Phone: 81 3 5722 1761
Fax: 81 3 5722 1765

ENIDINE Corporativo De Mexico, S.A. de C.V.

Compostela 1806
Mezquitlan Country
Guadalajara 44290, Jalisco • MEXICO
Phone: 52 36 532825
Fax: 52 36 236365

ENIDINE S.A.

Hurtado De Amezaga 27-5
48008 Bilbao • SPAIN
Phone: 34 4 4102788
Fax: 34 4 4100526

CREDIMEX AG • ENIDINE Division

CH-6060 Sarnen • SWITZERLAND
Phone: 41 41 663330
Fax: 41 41 668530

OTHER ENIDINE PRODUCTS

Shock Absorbers • Wire Rope Isolators
Rate Controls • Air Springs • Elastomeric Mounts
UltraLOC™ Seat Recline Controls
Seismic Isolation Products

ENIDINE U.K. Ltd.

Patrick Gregory Road
Wolverhampton
West Midlands, WV11 3DZ
UNITED KINGDOM
Phone: 44 902 304000
Fax: 44 902 305676

ENIDINE

Engineering Solutions in Energy Absorption and Vibration Isolation.™

