



Shock Absorbers

*For Independent Station
Glass Molding Machines*



— New Enhanced Service Life

Engineering Solutions in Energy Absorption and Vibration Isolation.



With more than 40 years of expertise in design and manufacturing, Enidine leads the industry worldwide in high quality, high performance energy absorption products.

As a result of our continuing development of custom solutions for unique problems, we have improved the performance of Enidine shock absorbers for Independent Station (IS) Glass Molding Machines over previous designs and competitor models. Enidine shock absorbers maximize production capabilities and minimize costly machine downtime.

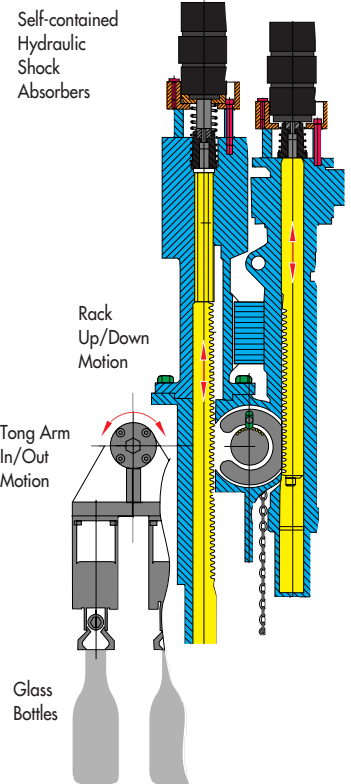
Our shock absorbers are specially designed and built to withstand the rigors of high intensity production at elevated temperatures, as well as dusty, dirty environments. Specifically engineered to "cushion" the rack, Enidine shock absorbers smooth the motion of the tong arm. They are fitted at the top of the take out mechanism to permit accurate adjustments at eye level and eliminate the need to remove the entire mechanism when it's time to replace the shock. Fully adjustable damping allows you to utilize the same shock absorber in a variety of machine locations, as well as fine tune each shock to your specific requirement. Since the self-contained Enidine units eliminate the need for external oil connections, they also eliminate potential oil leakage paths.

Take Out Mechanism

IS Glass Molding Machine Positions Include:

- Take Out - In
- Take Out - Out
- Blowhead

*Adjustable unit can be used in all three glass machine positions.

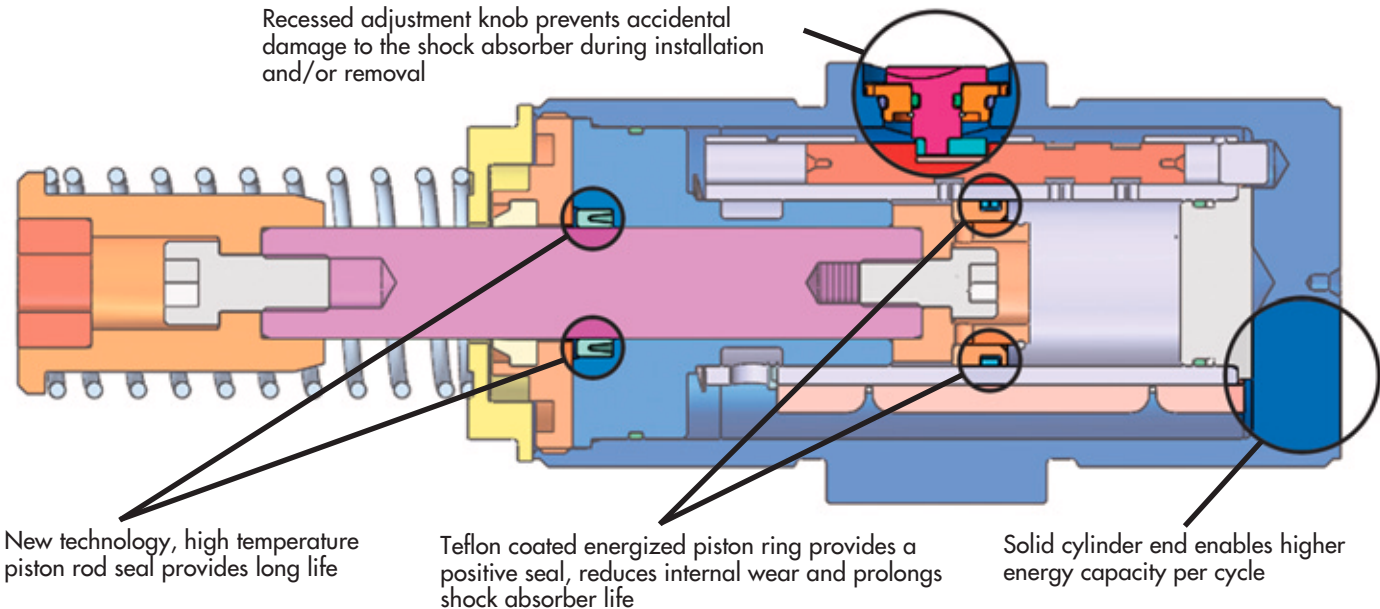


Take Out Mechanism

The shock absorbers, located at the top of the mechanism, cushion the rack to minimize tong arm bounce.

New Design Enhancements and Benefits

Recessed adjustment knob prevents accidental damage to the shock absorber during installation and/or removal



New technology, high temperature piston rod seal provides long life

Teflon coated energized piston ring provides a positive seal, reduces internal wear and prolongs shock absorber life

Solid cylinder end enables higher energy capacity per cycle

Additional Benefits/Services

- Technical engineering support for new applications
- Local/Worldwide distribution
- Direct OEM replacement parts
- On-site training
- Factory rebuilt program with full warranty
- New design enables "easier" on-site repair capability
- Service kits are available for on-site repair service

Let Enidine help you with your next glass shock project. Call us or your local distributor to discuss your requirements.

ENIDINE

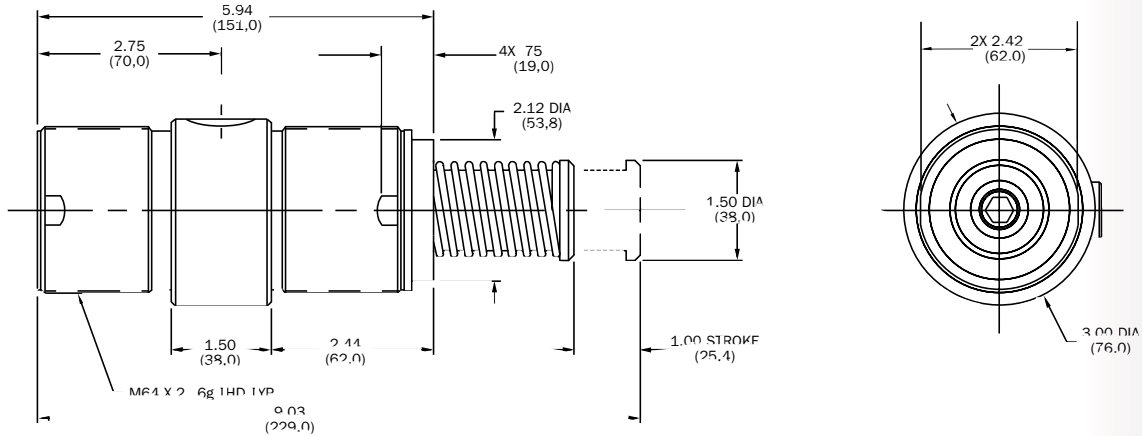
Engineering Solutions in Energy Absorption and Vibration Isolation.

An IMC Company

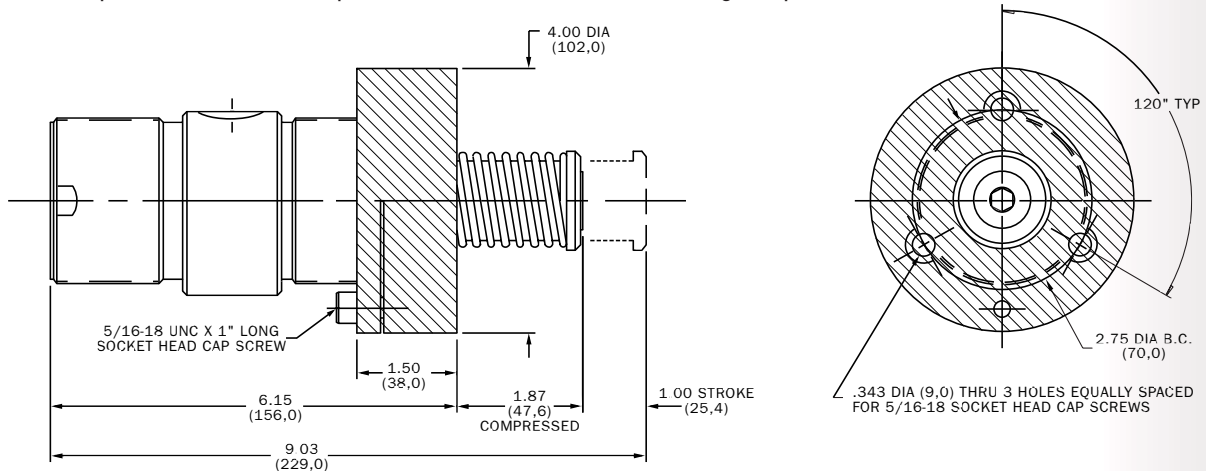
Engineering Data and Mounting Dimensions

Enidine Replacement Part No.	Enidine Old Part No.	Bore Size In (mm)	Stroke In (mm)	Improved Max. Energy Per Cycle In-Lbs (Nm)	Max. Energy Per Hr. Lbs (N)	Improved Max. Shock Force Lbs (N)	Nominal Coil Spring Force		Max. Propelling Force Lbs (Kg)	Model Weight
							Extended Lbs (N)	Compressed Lbs (N)		
SP22287	SP5695	1.13 (30)	1.00 (25)	10,000 (1130)	2,400,000 (271 000)	11,500 (51 000)	25 (111)	35 (155)	4,000 (17 760)	7 (3,2)
SP22288	SP5695350									10 (4,5)
SP22289	SP9281K									7 (3,2)

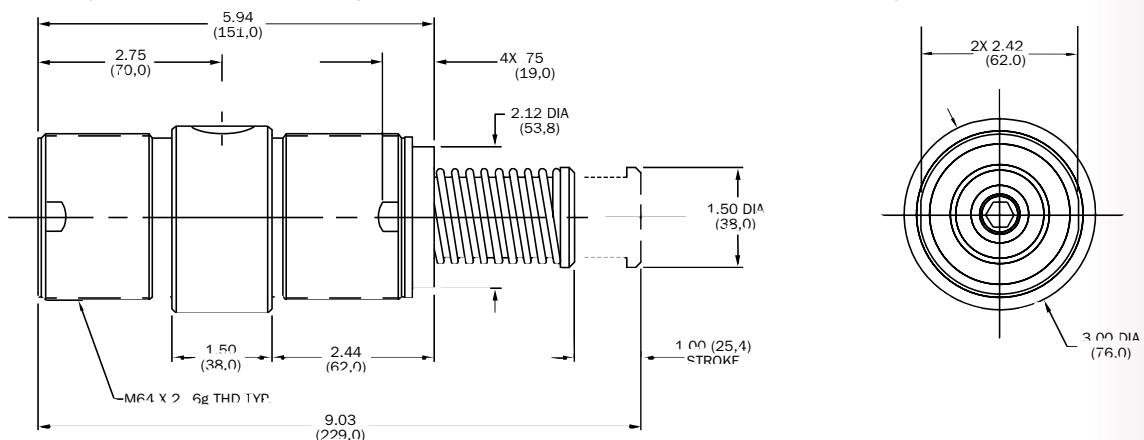
SP22287 (Replaces SP5695) Adjustable Shock Absorber for Take Out-In, Take Out-Out and Blowhead IS positions



SP22288 (Replaces SP5695350) Adjustable Shock Absorber with Mounting Adapter



SP22289 (Replaces SP9281K) Non-Adjustable Shock Absorber for Take Out-In for Quad IS position



Shock Absorbers

*For Independent Station
Glass Molding Machines*

New Enhanced Service Life



Enidine USA
Corporate Headquarters
Enidine Incorporated
7 Centre Drive
Orchard Park, New York 14127
USA
Phone: 716-662-1900
Fax: 716-662-1909
www.enidine.com

Enidine West
184 Technology Dr.,
Suite 201
Irvine, California 92618
USA
Phone: 949-727-9112
Fax: 949-727-9107
www.enidine.com

Enidine Europe
Enidine Trading Company GmbH
Rheinauenstrasse, 5
79415 Bad Bellingen
Rheinweiler
Germany
Phone: 49 7635 82648 0
Fax: 49 7635 82648 29
www.enidine-europe.com

Enidine / Jarret SAS
14-38, rue Alexandre, Bat E2
BP35
Gennevilliers, CEDEX, 92234
France
Phone: 33 1 41 32 26 60
Fax: 33 1 40 86 12 82
www.enidine-europe.com
www.jarret.fr

Enidine Japan
Enidine Co. Ltd.
4-5-24 Chigasaki-Higashi, Tsuzuki-Ku
Yokohama-Shi
Kanagawa 224-0033
Japan
Phone: 81 45 947 1671
Fax: 81 45 945 3967
www.enidine.co.jp

Enidine China
Enidine Hangzhou
3rd. Floor, No. 1 Building South Area
No. 98, 19 Street
Hangzhou Economic & Technological
Development Zone
Hangzhou, China 310018
Phone: 86 571 8671 4399
Fax: 86 571 8671 4055
www.enidine.cn

ENIDINE

An IMC Company

04/06 IND493R1

10M Printed in U.S.A.

Engineering Solutions in Energy Absorption and Vibration Isolation.