

Rotary Viscous Dampers (RVD) Series

Enidine's Rotary Viscous Dampers

Enidine's patented Rotary Viscous Dampers control movement in applications that involve positioning, opening, closing, forward, reverse and fixed path motion. The design combines low breakout friction with sufficient viscous damping to control bi-directional rotary motion in applications.

Applications

- Office Machines
- Small Drive Shafts
- Conveying – Roller, Bucket, Turntables
- Doors, Access Panels
- Any Equipment with Shafts or Rollers Requiring Motion Control

How They Work

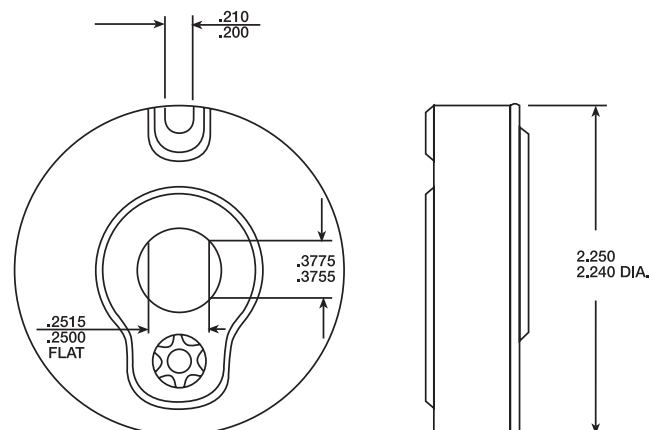
Each Rotary Viscous Damper contains a continuous, bi-directional element keyed to a shaft. This "rotor" is surrounded by a thin film of silicone fluid and sealed inside a stationary housing. As the shaft moves, the inner rotor resists the motion by shearing the silicone fluid, thus, controlling the undesirable motion.



Part Number: 709983-XX

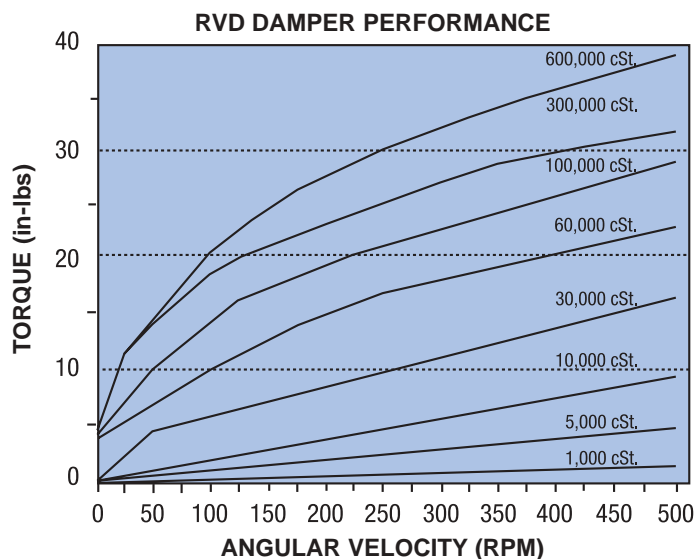
Description

- **Material** Housing – Plastic
Rotor – Steel
- **Size** 2.25" O.D.
0.657/0.677" thickness
3.5 oz
- **Bore** 3/8" with 1/4" flats
- **Damping Medium** 100,000 cst. Silicone fluid
- **Features** Continuous Rotation
Bi-Directional
Mounts in Any Position
Velocity Sensitive



Performance Characteristics

- **Static Torque** 3.0 in-lbs
- **Dynamic Torque** 11.0 - 15.0 in-lbs @ 300 RPM
4.0 - 6.0 in-lbs @ 50 RPM
- **Operating Temp.** -20 °F to 200 °F
- **Life Expectancy** 1.5 x 10⁶ cycles @ 300 RPM



Enidine Incorporated
7 Centre Drive, Orchard Park, New York 14127
Toll Free: 1-800-852-8508 • Phone: 1-716-662-1900 • Fax: 1-716-662-1909
www.enidine.com

Solutions in Energy Absorption and Vibration Isolation.

ENIDINE

An IMC Company