

# Pneufit® C composite and Pneufit M fittings

Metric

Ø 3 to 16 mm O/D tube

**Releasable stainless-steel grab-ring to grip nylon or polyurethane tube (85 or 95 durometer).**

**Nickel plated brass components.**

**Pre-applied thread sealant on all taper threads and recessed captive O-ring on parallel threads.**

**O-ring on parallel threads.**

**Internal and external hexagons on straight fittings.**

**Immediate quality sealing using silicone free U-packing.**

## Technical data

Medium

Compressed air

Operating pressure

750mm Hg vacuum, up to 10 bar

Temperature

0 to 60°C

Medium

compressed air

Tube sizes

Standard sizes:

4, 6, 8, 10, 12, 16 mm

Miniature sizes:

3, 4, and 6 mm

Thread sizes

Standard sizes:

M5, M6, 1/8, 1/4, 3/8 and 1/2 inch

ISO G and ISO R

Miniature sizes:

M3, M5 and 1/8 inch ISO R

Tube types

Nylon 11 or 12

Polyurethane 85, 95 or 98 durometer

Materials

Body: PBT

Seals: NBR (silicone free) u-packing and O-rings

Threaded bodies: nickel plated brass

Release sleeve and backing ring: POM

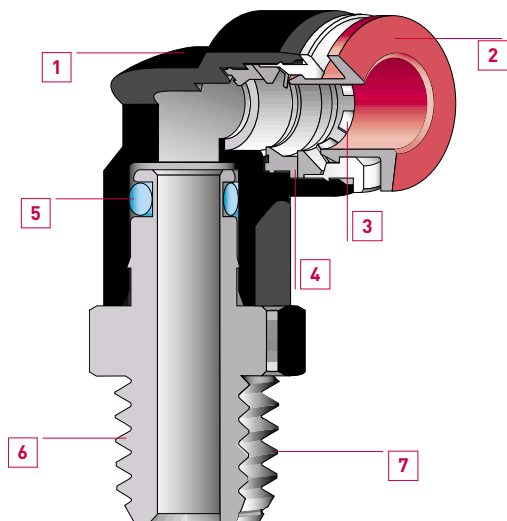
Grab-ring: stainless steel

Collar: nickel plated brass


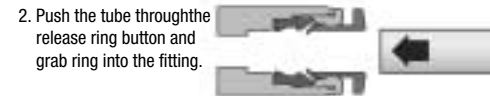
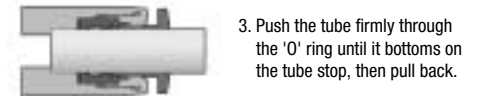
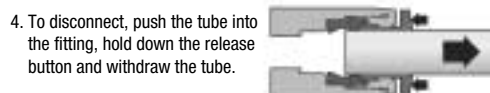
Thread sealant: threebond 2350B



- 1 Impact resistant PBT body in black for Pneufit® C and light gray for Pneufit® M.
- 2 Release buttons are red for metric, grey for inch, and light grey oval for Pneufit® M.
- 3 Stainless steel grab ring with special design to retain softer tube and provide easy releasability.
- 4 Silicon free U-packing provides leak tight tube seal under side loading.
- 5 Stem seal provides leak tight 360° swivel connection.
- 6 Nickel plated brass threads and notches on hex to signify NPT.
- 7 Pre-applied thread sealant on tapered threads and recessed captive O-ring on parallel threads.



## Method of assembly

1. Ensure that the end tube is cut square and is free from burrs. 
2. Push the tube through the release ring button and grab ring into the fitting. 
3. Push the tube firmly through the 'O' ring until it bottoms on the tube stop, then pull back. 
4. To disconnect, push the tube into the fitting, hold down the release button and withdraw the tube. 

# Pneufit® C composite and Pneufit M fittings

Metric

Ø 3 to 16 mm O/D tube

## Straight adapter (external + internal hex)



Thread	4mm	6mm	8mm	10mm	12mm	16mm
M5	C02250405	C02250605	-	-	-	-
M6	C02250406	C02250606	-	-	-	-
1/8" R	C01250418	C01250618	C01250818	C01251018	C01251218	-
1/4" R	C01250428	C01250628	C01250828	C01251028	C01251228	-
3/8" R	C01250438	C01250638	C01250838	C01251038	C01251238	C01251638
1/2" R	-	C01250648	C01250848	C01251048	C01251248	C01251648
1/8" G	C02250418	C02250618	C02250818	C02251018	-	-
1/4" G	C02250428	C02250628	C02250828	C02251028	C02251228	-
3/8" G	C02250438	C02250638	C02250838	C02251038	C02251238	C02251638
1/2" G	-	-	C02250848	C02251048	C02251248	C02251648

## Straight adapter (internal hex only)



Thread	4mm	6mm	8mm	10mm	12mm	16mm
M5	C022A0405	C022A0605	-	-	-	-
M6	C022A0406	C022A0606	-	-	-	-
1/8" R	C012A0418	C012A0618	C012A0818	C012A1018	C012A1218	-
1/4" R	C012A0428	C012A0628	C012A0828	C012A1028	C012A1228	-
3/8" R	C012A0438	C012A0638	C012A0838	C012A1038	C012A1238	-
1/2" R	-	-	C012A0848	C012A1048	C012A1248	-

## Straight adapter (female thread)



Thread	4mm	6mm	8mm	10mm	12mm	16mm
M5	C02260405	-	-	-	-	-
1/8" G	C02260418	C02260618	C02260818	C02261018	-	-
1/4" G	C02260428	C02260628	C02260828	C02261028	C02261228	-
3/8" G	C02260438	C02260638	C02260838	C02261038	C02261238	-
1/2" G	-	-	C02260848	C02261048	C02261248	-

## Straight Adaptor (female bulkhead)



Thread	4mm	6mm	8mm	10mm	12mm	16mm
1/8" G	C02320418	C02320618	C02320818	-	-	-
1/4" G	C02320428	C02320628	C02320828	C02321028	C02321228	-
3/8" G	C02320438	C02320638	C02320838	C02321038	C02321238	-
1/2" G	-	-	-	C02321048	C02321248	-

## 90° Swivel elbow



Thread	4mm	6mm	8mm	10mm	12mm	16mm
M5	C02470405	C02470605	-	-	-	-
M6	C02470406	C02470606	-	-	-	-
1/8" R	C01470418	C01470618	C01470818	C01471018	C01471218	-
1/4" R	C01470428	C01470628	C01470828	C01471028	C01471228	-
3/8" R	C01470438	C01470638	C01470838	C01471038	C01471238	C01471638
1/2" R	-	C01470648	C01470848	C01471048	C01471248	C01471648
1/8" G	C02470418	C02470618	C02470818	C02471018	-	-
1/4" G	C02470428	C02470628	C02470828	C02471028	C02471228	-
3/8" G	C02470438	C02470638	C02470838	C02471038	C02471238	C02471638
1/2" G	-	-	C02470848	C02471048	C02471248	C02471648

# Pneufit® C composite and Pneufit M fittings

Metric

Ø 3 to 16 mm O/D tube



90° Swivel elbow adapter (extended)

Thread	4mm	6mm	8mm	10mm	12mm	16mm
M5	C02540405	C02540605	-	-	-	-
M6	C02540406	C02540606	-	-	-	-
1/8" R	C01540418	C01540618	C01540818	C01541018	C01541218	-
1/4" R	C01540428	C01540628	C01540828	C01541028	C01541228	-
3/8" R	C01540438	C01540638	C01540838	C01541038	C01541238	C01541638
1/2" R	-	C01540648	C01540848	C01541048	C01541248	C01541648



90° Swivel elbow adapter (female)

Thread	4mm	6mm	8mm	10mm	12mm	16mm
M5	C02480405	C02480605	-	-	-	-
M6	C02480406	C02480606	-	-	-	-
1/8" R	C01480418	C01480618	C01480818	-	-	-
1/4" R	C01480428	C01480628	C01480828	C01481028	C01481228	-
3/8" R	-	C01480638	C01480838	C01481038	C01481238	-
1/2" R	-	-	-	C01481048	C01481248	-



Swivel Y adapter

Thread	4mm	6mm	8mm	10mm	12mm	16mm
M5	C02880405	C02880605	-	-	-	-
M6	C02880406	C02880606	-	-	-	-
1/8" R	C01880418	C01880618	C01880818	C01881018	C01881218	-
1/4" R	C01880428	C01880628	C01880828	C01881028	C01881228	-
3/8" R	C01880438	C01880638	C01880838	C01881038	C01881238	-
1/2" R	-	C01880648	C01880848	C01881048	C01881248	-
1/8" G	C02880418	C02880618	C02880818	C02881018	-	-
1/4" G	C02880428	C02880628	C02880828	C02881028	C02881228	-
3/8" G	C02880438	C02880638	C02880838	C02881038	C02881238	-
1/2" G	-	C02880648	C02880848	C02881048	C02881248	-



Swivel tee adapter

Thread	4mm	6mm	8mm	10mm	12mm	16mm
M5	C02670405	C02670605	-	-	-	-
M6	C02670406	C02670606	-	-	-	-
1/8" R	C01670418	C01670618	C01670818	C01671018	C01671218	-
1/4" R	C01670428	C01670628	C01670828	C01671028	C01671228	-
3/8" R	C01670438	C01670638	C01670838	C01671038	C01671238	C01671638
1/2" R	-	C01670648	C01670848	C01671048	C01671248	C01671648
1/8" G	C02670418	C02670618	C02670818	C02671018	-	-
1/4" G	C02670428	C02670628	C02670828	C02671028	C02671228	-
3/8" G	C02670438	C02670638	C02670838	C02671038	C02671238	C02671638
1/2" G	-	C02670648	C02670848	C02671048	C02671248	C02671648



Swivel side tee adapter

Thread	4mm	6mm	8mm	10mm	12mm	16mm
M5	C02680405	C02680605	-	-	-	-
M6	C02680406	C02680606	-	-	-	-
1/8" R	C01680418	C01680618	C01680818	C01681018	C01681218	-
1/4" R	C01680428	C01680628	C01680828	C01681028	C01681228	-
3/8" R	C01680438	C01680638	C01680838	C01681038	C01681238	-
1/2" R	-	C01680648	C01680848	C01681048	C01681248	-
1/8" G	C02680418	C02680618	C02680818	C02681018	-	-
1/4" G	C02680428	C02680628	C02680828	C02681028	C02681228	-
3/8" G	C02680438	C02680638	C02680838	C02681038	C02681238	-
1/2" G	-	-	C02680848	C02681048	C02681248	-



# Pneufit® C composite and Pneufit M fittings

Metric

Ø 3 to 16 mm O/D tube



Swivel tee adapter

Thread	4mm	6mm	8mm	10mm	12mm	16mm
M5	C026C0405	C026C0605	-	-	-	-
M6	C026C0406	C026C0606	-	-	-	-
1/8" R	C016C0418	C016C0618	C016C0818	C016C1018	-	-
1/4" R	C016C0428	C016C0628	C016C0828	C016C1028	C016C1228	-
3/8" R	-	C016C0638	C016C0838	C016C1038	C016C1238	-
1/2" R	-	-	C016C0848	C016C1048	C016C1248	-



Banjo

Thread	4mm	6mm	8mm	10mm	12mm	16mm
M5	COA510405	COA510605	-	-	-	-
M6	COA510406	-	-	-	-	-
1/8" G	COA510418	COA510618	COA510818	-	-	-
1/4" G	COA510428	COA510628	COA510828	COA511028	-	-
3/8" G	-	COA510638	COA510838	COA511038	COA511238	-
1/2" G	-	-	COA510848	COA511048	COA511248	-



Banjo with top port

Thread	4mm	6mm	8mm	10mm	12mm	16mm
M5	COD510405	COD510605	-	-	-	-
1/8" R	COE510418	COE510618	COE510818	-	-	-
1/4" R	COF510428	COF510628	COF510828	COF511028	-	-
3/8" R	-	COG510638	COG510838	COG511038	COG511238	-



Banjo flow control (regulating out)

Thread	4mm	6mm	8mm	10mm	12mm	16mm
M5	COK510405	COK510605	-	-	-	-
1/8" R	COTA00418	COTA00618	COTA00818	-	-	-
1/4" R	COTA00428	COTA00628	COTA00828	COTA01028	COTA01228	-
3/8" R	-	COTA00638	COTA00838	COTA01038	COTA01238	-
1/2" R	-	-	COTA00848	COTA01048	COTA01248	-
1/8" G	COK510418	COK510618	COK510818	-	-	-
1/4" G	COK510428	COK510628	COK510828	COK511028	COK511228	-
3/8" G	-	COK510638	COK510838	COK511038	COK511238	-
1/2" G	-	-	COK510848	COK511048	COK511248	-



In line flow control

Thread	4mm	6mm	8mm	10mm	12mm	16mm
-	C00GE0400	C00GE0600	C00GE0800	C00GE1000	C00GE1200	-

# Pneufit® C composite and Pneufit M fittings

Metric

Ø 3 to 16 mm O/D tube



Straight union

4mm	6mm	8mm	10mm	12mm	16mm
C00200400	C00200600	C00200800	C00201000	C00201200	C00201600



Bulkhead union

4mm	6mm	8mm	10mm	12mm	16mm
C20290200	C20290300	C20290400	C20290500	C20290600	C20290700



Stem union

4mm	6mm	8mm	10mm	12mm	16mm
C00220400	C00220600	C00220800	C00221000	C00221200	C00221600



Plug

4mm	6mm	8mm	10mm	12mm	16mm
C00040400	C00040600	C00040800	C00041000	C00041200	C00041600



Cap

4mm	6mm	8mm	10mm	12mm	16mm
C00120400	C00120600	C00120800	C00121000	C00121200	C00121600



Union elbow

4mm	6mm	8mm	10mm	12mm	16mm
C00400400	C00400600	C00400800	C00401000	C00401200	C00401600



Stem elbow

4mm	6mm	8mm	10mm	12mm	16mm
C00430400	C00430600	C00430800	C00431000	C00431200	C00431600



Union tee

4mm	6mm	8mm	10mm	12mm	16mm
C00600400	C00600600	C00600800	C00601000	C00601200	C00601600

# Pneufit® C composite and Pneufit M fittings

Metric

Ø 3 to 16 mm O/D tube



Stem tee

4mm	6mm	8mm	10mm	12mm	16mm
C00630400	C00630600	C00630800	C00631000	C00631200	-



Stem side tee

4mm	6mm	8mm	10mm	12mm	16mm
C00640400	C00640600	C00640800	C00641000	C00641200	-



Union Y

4mm	6mm	8mm	10mm	12mm	16mm
C00820400	C00820600	C00820800	C00821000	C00821200	-



Stem Y

4mm	6mm	8mm	10mm	12mm	16mm
C00840400	C00840600	C00840800	C00841000	C00841200	-



Union cross

4mm	6mm	8mm	10mm	12mm	16mm
C00900400	C00900600	C00900800	C00901000	C00901200	-



Straight union (unequal)

6 - 4mm	8 - 4mm	8 - 6mm	10 - 6mm	10 - 8mm	12 - 8mm	12 - 10mm	16 - 12mm
C00200604	-	C00200806	-	C00201008	-	C00201210	C00201612



Stem Reducer (stem/tube)

6 - 4mm	8 - 4mm	8 - 6mm	10 - 6mm	10 - 8mm	12 - 8mm	12 - 10mm	16 - 12mm
C00230604	C00230804	C00230806	C00231006	C00231008	C00231208	C00231210	C00231612

# Pneufit® C composite and Pneufit M fittings

Metric

Ø 3 to 16 mm O/D tube



Stem Expander (stem/tube)

6 - 4mm	8 - 4mm	8 - 6mm	10 - 6mm	10 - 8mm	12 - 8mm	12 - 10mm	16 - 12mm
C00230406	-	C00230608	-	-	-	-	-
C20220302	C20220402-	C20220403	C20220504	C20220604	C20220605	-	C20220706



Stem Union (unequal)

6 - 4mm	8 - 4mm	8 - 6mm	10 - 6mm	10 - 8mm	12 - 8mm	12 - 10mm	16 - 12mm
C00220604	-	C00220806	-	C00221008	-	C00221210	C00221612



Union Tee (unequal)

6 - 4mm	8 - 4mm	8 - 6mm	10 - 6mm	10 - 8mm	12 - 8mm	12 - 10mm	16 - 12mm
C006A0604	-	C006A0806	C006A1006	C006A1008	C006A1208	C006A1210	C006A1612



Stem Side Tee (unequal)

6 - 4mm	8 - 4mm	8 - 6mm	10 - 6mm	10 - 8mm	12 - 8mm	12 - 10mm	16 - 12mm
C006A0604	-	C006A0806	-	C006A1008	-	C006A1210	-



Stem Tee (unequal)

6 - 4mm	8 - 4mm	8 - 6mm	10 - 6mm	10 - 8mm	12 - 8mm	12 - 10mm	16 - 12mm
C006A0604	-	C006A0806	-	C006A1008	-	C006A1210	-



Union Y (unequal)

6 - 4mm	8 - 4mm	8 - 6mm	10 - 6mm	10 - 8mm	12 - 8mm	12 - 10mm	16 - 12mm
C00820604	-	C00820806	-	C00821008	-	C00821210	-



Stem Y (unequal)

6 - 4mm	8 - 4mm	8 - 6mm	10 - 6mm	10 - 8mm	12 - 8mm	12 - 10mm	16 - 12mm
C00840604	-	C00840806	-	C00841008	-	C00841210	-

# Pneufit® C composite and Pneufit M fittings

Metric

Ø 3 to 16 mm O/D tube

## MINIATURE PNEUFIT® M



Straight adapter (external + internal hex)

Thread	3mm	4mm	6mm
M3	M02250303	M02250403	-
M5	M02250305	M02250405	M02250605
M6	M02250306	M02250406	M02250606
1/8"	-	M01250418	M01250618



Straight adapter (internal hex only)

Thread	3mm	4mm	6mm
M3	M022A0303	M022A0403	-
M5	M022A0305	M022A0405	M022A0605
M6	M022A0306	M022A0406	M022A0606
1/8"	-	M012A0418	M012A0618



Straight adapter (female thread)

Thread	3mm	4mm	6mm
M3	M02260303	M02260403	-
M5	M02260305	M02260405	-
M6	M02260306	M02260406	M02260606
1/8"	-	M01260418	M01260618



90° Swivel Elbow Adapter

Thread	3mm	4mm	6mm
M3	M02470303	M02470403	-
M5	M02470305	M02470405	M02470605
M6	M02470306	M02470406	M02470606
1/8"	-	M01470418	M01470618



Swivel Tee Adapter

Thread	3mm	4mm	6mm
M3	M02670303	M02670403	-
M5	M02670305	M02670405	M02670605
M6	M02670306	M02670406	M02670606
1/8"	-	M01670418	M01670618



# Pneufit® C composite and Pneufit M fittings

Metric

Ø 3 to 16 mm O/D tube



Swivel Side Tee Adapter

Thread	3mm	4mm	6mm
M3	M02680303	M02680403	-
M5	M02680305	M02680405	M02680605
M6	M02680306	M02680406	M02680606
1/8"	-	M01680418	M01680618



Straight Union

Thread	3mm	4mm	6mm
-	M00200300	M00200400	M00200600



Union Elbow

Thread	3mm	4mm	6mm
-	M00400300	M00400400	M00400600



Union Tee

Thread	3mm	4mm	6mm
-	M00600300	M00600400	M00600600



Straight Union (unequal)

Thread	3mm	4mm	6mm
-	M00200403	M00200603	M00200604



Stem Reducer (stem/tube)

Thread	3mm	4mm	6mm
M5	C0K510305	C0K510405	C0K510605

# Pneufit® C composite and Pneufit M fittings

Metric

Ø 3 to 16 mm O/D tube

## PNEUFIT® C MANIFOLDS



Male Manifold

	6 - 4mm	8 - 4mm	8 - 6mm	10 - 8mm
1/8" R	C01D3 0418	-	-	-
1/4" R	-	C01D3 0428	C01D3 0628	-
3/8" R	-	-	-	C01D3 0838



Manifold Union

	6 - 4mm	8 - 4mm	8 - 6mm	10 - 8mm	10 - 8mm
	C00D3 0604	C00D3 0804	C00D3 0806	C00D3 1006	C00D3 1008



Stem Manifold

	6 - 4mm	8 - 4mm	8 - 6mm	10 - 8mm	10 - 8mm
	C00J3 0604	C00J3 0804	C00J3 0806	-	C00J3 1008