

Pneufit® C composite and Pneufit M fittings

Inch

Ø 1/8" to 1/2" O/D tube

Ready to use.

Over 1,000 composite push-in pneumatic fittings.

Releasable stainless-steel grab-ring to grip nylon or polyurethane tube (85 or 95 durometer).

Nickel plated brass components.

Pre applied thread sealant on all taper threads and recessed captive O-ring on parallel threads.

Internal and external hexagons on straight fittings.

Immediate quality sealing using silicone free U-packing.

Mounting holes on all union fittings.

Introducing Miniature Pneufit M an ultra compact alternative where space is at a premium.

Technical data

Medium

Compressed air

Operating pressure

29.5" Hg vacuum up to 150 psi

Temperature

32°F to 140°F

Materials

Body: PBT

Seals: NBR (silicone free) u-packaging and O-rings

Threaded bodies: nickel plated brass

Release sleeve and backing ring: POM

Grab-ring: stainless steel

Collar: nickel plated brass

Thread sealant: threebond 2350B

Tube sizes

Standard sizes: 5/32", 3/16", 1/4", 5/16", 3/8" and 1/2"

Miniature sizes: 1/8", 1/4", 5/32"

Thread sizes

Standard sizes: 10-32 UNF, 1/8", 1/4", 3/8 and 1/2" NPT and ISO R

Miniature sizes: 10-32 UNF, 1/16" and 1/8" NPT

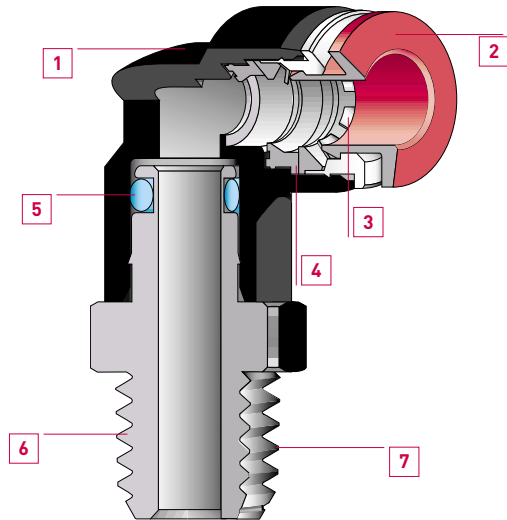
Tube types

Nylon 11 or 12


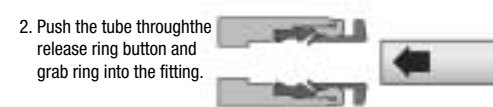
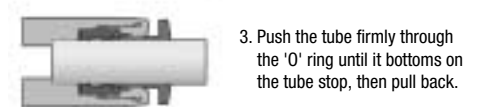
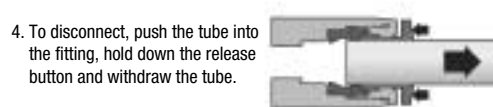
Polyurethane 85 or 95 durometer



- 1 Impact resistant PBT body in black for Pneufit® C and light gray for Pneufit® M.
- 2 Release buttons are red for metric, grey for inch, and light grey oval for Pneufit® M.
- 3 Stainless steel grab ring with special design to retain softer tube and provide easy releasability.
- 4 Silicone free U-packing provides leak tight tube seal under side loading.
- 5 Stem seal provides leak tight 360° swivel connection.
- 6 Nickel plated brass threads and notches on hex to signify NPT.
- 7 Pre-applied thread sealant on tapered threads and recessed captive O-ring on parallel threads.



Method of assembly

1. Ensure that the end tube is cut square and is free from burrs. 
2. Push the tube through the release ring button and grab ring into the fitting. 
3. Push the tube firmly through the 'O' ring until it bottoms on the tube stop, then pull back. 
4. To disconnect, push the tube into the fitting, hold down the release button and withdraw the tube. 

Pneufit® C composite and Pneufit M fittings

Inch

Ø 1/8" to 1/2" O/D tube

Straight adapter (external + internal hex)



Thread	5/32"	3/16"	1/4"	5/16"	3/8"	1/2"
10-32 UNF	C24250210	C24250310	C24250410	-	-	-
1/8" NPT	C24250218	C24250318	C24250418	C24250518	C24250618	C24250718
1/4" NPT	C24250228	C24250328	C24250428	C24250528	C24250628	C24250728
3/8" NPT	C24250238	C24250338	C24250438	C24250538	C24250638	C24250738
1/2" NPT	-	-	C24250448	C24250548	C24250648	C24250748
1/8" R	C01250418	-	C21250418	C01250818	C21250618	-
1/4" R	C01250428	-	C21250428	C01250828	C21250628	C21250728
3/8" R	C01250438	-	C21250438	C01250838	C21250638	C21250738
1/2" R	-	-	-	C01250848	C21250648	C21250748

Straight adapter (internal hex only)



Thread	5/32"	3/16"	1/4"	5/16"	3/8"	1/2"
10-32 UNF	C242A0210	C242A0310	C242A0410	-	-	-
1/8" NPT	C242A0218	C242A0318	C242A0418	C242A0518	C242A0618	-
1/4" NPT	C242A0228	C242A0328	C242A0428	C242A0528	C242A0628	C242A0728
3/8" NPT	-	-	-	C242A0538	C242A0638	C242A0738
1/2" NPT	-	-	-	-	C242A0648	C242A0748
1/8" R	C012A0418	-	C212A0418	C012A0818	-	-
1/4" R	C012A0428	-	C212A0428	C012A0828	C212A0628	-
3/8" R	C012A0438	-	-	C012A0838	C212A0638	-
1/2" R	-	-	-	-	C212A0648	-

Straight adapter (female thread)



Thread	5/32"	3/16"	1/4"	5/16"	3/8"	1/2"
1/8" NPT	C24260218	C24260318	C24260418	C24260518	C24260618	-
1/4" NPT	C24260228	C24260328	C24260428	C24260528	C24260628	C24260728
3/8" NPT	-	-	C24260438	C24260538	C24260638	C24260738
1/2" NPT	-	-	-	C24260548	C24260648	-
1/8" R	C02260418	-	C21260418	C02260818	-	-
1/4" R	C02260428	-	C21260428	C02260828	C21260628	-
3/8" R	-	-	-	-	C21260638	-

Female bulkhead



Thread	5/32"	3/16"	1/4"	5/16"	3/8"	1/2"
1/8" NPT	C24320218	C24320318	C24320418	C24320518	-	-
1/4" NPT	-	C24320328	C24320428	C24320528	C24320628	C24320728
3/8" NPT	-	-	-	C24320538	C24320638	C24320738
1/2" NPT	-	-	-	-	-	C24320748

90° Swivel elbow



Thread	5/32"	3/16"	1/4"	5/16"	3/8"	1/2"
10-32 UNF	C24470210	C24470310	C24470410	-	-	-
1/8" NPT	C24470218	C24470318	C24470418	C24470518	C24470618	-
1/4" NPT	C24470228	C24470328	C24470428	C24470528	C24470628	C24470728
3/8" NPT	-	C24470338	C24470438	C24470538	C24470638	C24470738
1/2" NPT	-	-	-	C24470548	C24470648	C24470748
1/8" R	C01470418	-	C21470418	C01470818	C21470618	-
1/4" R	C01470428	-	C21470428	C01470828	C21470628	C21470728
3/8" R	C01470438	-	C21470438	C01470838	C21470638	C21470738
1/2" R	-	-	-	-	C21470648	C21470748

Pneufit C push-in fittings

Inch

Ø 1/8" to 1/2" O/D tube



90° Swivel elbow adapter (extended)

Thread	5/32"	3/16"	1/4"	5/16"	3/8"	1/2"
10-32 UNF	C24540210	-	C24540410	-	-	-
1/8" NPT	C24540218	C24540318	C24540418	C24540518	C24540618	-
1/4" NPT	C24540228	C24540328	C24540428	C24540528	C24540628	C24540728
3/8" NPT	-	C24540338	C24540438	C24540538	C24540638	C24540738
1/2" NPT	-	-	-	-	C24540648	C24540748
1/8" R	C01540418	-	C21540418	C01540818	-	-
1/4" R	C01540428	-	C21540428	C01540828	C21540628	-
3/8" R	C01540438	-	-	C01540838	C21540638	-



90° Swivel elbow adapter (female)

Thread	5/32"	3/16"	1/4"	5/16"	3/8"	1/2"
10-32 UNF	C24480210	C24480310	C24480410	-	-	-
1/8" NPT	C24480218	C24480318	C24480418	C24480518	-	-
1/4" NPT	C24480228	C24480328	C24480428	C24480528	C24480628	-
3/8" NPT	-	-	C24480438	C24480538	C24480628	C24480738
1/2" NPT	-	-	-	-	C24480648	C24480748
1/8" R	C01480418	-	-	C01480818	-	-
1/4" R	-	-	-	C01480828	-	-



Swivel Y adapter

Thread	5/32"	3/16"	1/4"	5/16"	3/8"	1/2"
10-32 UNF	C24880210	C24880310	C24880410	-	-	-
1/8" NPT	C24880218	C24880318	C24880418	C24880518	C24880618	-
1/4" NPT	C24880228	C24880328	C24880428	C24880528	C24880628	C24880728
3/8" NPT	-	C24880338	C24880438	C24880538	C24880638	C24880738
1/2" NPT	-	-	-	C24880548	C24880648	C24880748
1/8" R	C01880418	-	C21880418	C01880818	-	-
1/4" R	C01880428	-	C21880428	C01880828	C21880628	C21880728
3/8" R	C01880438	-	C21880438	C01880838	C21880638	C21880738
1/2" R	-	-	-	-	C21880648	C21880748



Swivel tee adapter

Thread	5/32"	3/16"	1/4"	5/16"	3/8"	1/2"
10-32 UNF	C24670210	C24670310	C24670410	-	-	-
1/8" NPT	C24670218	C24670318	C24670418	C24670518	C24670618	-
1/4" NPT	C24670228	C24670328	C24670428	C24670528	C24670628	C24670728
3/8" NPT	-	C24670338	C24670438	C24670538	C24670638	C24670738
1/2" NPT	-	-	-	C24670548	C24670648	C24670748
1/8" R	C01670418	-	C21670418	C01670818	C21670618	-
1/4" R	C01670428	-	C21670428	C01670828	C21670628	C21670728
3/8" R	C01670438	-	C21670438	C01670838	C21670638	C21670738
1/2" R	-	-	-	-	C21670648	C21670748



Swivel side tee adapter

Thread	5/32"	3/16"	1/4"	5/16"	3/8"	1/2"
10-32 UNF	C24680210	C24680310	C24680410	-	-	-
1/8" NPT	C24680218	C24680318	C24680418	C24680518	C24680618	-
1/4" NPT	C24680228	C24680328	C24680428	C24680528	C24680628	C24680728
3/8" NPT	-	C24680338	C24680438	C24680538	C24680638	C24680738
1/2" NPT	-	-	-	C24680548	C24680648	C24680748
1/8" R	C01680418	-	C21680418	C01680818	-	-
1/4" R	C01680428	-	C21680428	C01680828	C21680628	C21680728
3/8" R	C01680438	-	C21680438	C01680838	C21680638	C21680738
1/2" R	-	-	-	-	C21680648	C21680748

Pneufit C push-in fittings

Inch

Ø 1/8" to 1/2" O/D tube

Swivel tee adapter



Thread	5/32"	3/16"	1/4"	5/16"	3/8"	1/2"
1/8" NPT	C246C0218	C246C0318	C246C0418	C246C0518	-	-
1/4" NPT	-	C246C0328	C246C0428	C246C0528	C246C0628	-
3/8" NPT	-	-	-	C246C0538	C246C0638	C246C0738
1/2" NPT	-	-	-	-	-	C246C0748

Banjo



Thread	5/32"	3/16"	1/4"	5/16"	3/8"	1/2"
10-32 UNF	C2R510210	-	C2R510410	-	-	-
1/8" NPT	C2R510218	-	C2R510418	C2R510518	-	-
1/4" NPT	-	-	C2R510428	C2R510528	C2R510628	-
3/8" NPT	-	-	-	-	C2R510638	C2R510738
1/2" NPT	-	-	-	-	C2R510648	C2R510748

Banjo with top port



Thread	5/32"	3/16"	1/4"	5/16"	3/8"	1/2"
10-32 UNF	C2D510210	-	C2D510410	-	-	-
1/8" NPT	C2E510218	-	C2E510418	C2E510518	-	-
1/4" NPT	-	-	C2F510428	C2F510528	C2F510628	-
3/8" NPT	-	-	-	-	C2G510638	C2G510738

Banjo flow control (regulating out)



Thread	5/32"	3/16"	1/4"	5/16"	3/8"	1/2"
10-32 UNF	C2VA00210	C2VA00310	C2VA00410	-	-	-
1/8" NPT	C2VA00218	C2VA00318	C2VA00418	C2VA00518	-	-
1/4" NPT	-	C2VA00328	C2VA00428	C2VA00528	C2VA00628	-
3/8" NPT	-	C2VA00338	C2VA00438	C2VA00538	C2VA00638	C2VA00738
1/2" NPT	-	-	-	C2VA00548	C2VA00648	C2VA00748
M5	C0K510405	-	C2VA00405	-	-	-
1/8"R	C0TA00418	-	C2TA00418	C0TA00818	-	-
1/4"R	C0TA00428	-	C2TA00428	C0TA00828	C2TA00628	-
3/8"R	-	-	-	C0TA00838	C2TA00638	-

In line flow control



Thread	5/32"	3/16"	1/4"	5/16"	3/8"	1/2"
-	C20GE0200	C20GE0300	C20GE0400	C20GE0500	C20GE0600	C20GE0700

Pneufit C push-in fittings

Inch

Ø 1/8" to 1/2" O/D tube



Straight union

5/32"	3/16"	1/4"	5/16"	3/8"	1/2"
C20200200	C20200300	C20200400	C20200500	C20200600	C20200700



Bulkhead union

5/32"	3/16"	1/4"	5/16"	3/8"	1/2"
C20290200	C20290300	C20290400	C20290500	C20290600	C20290700



Stem union

5/32"	3/16"	1/4"	5/16"	3/8"	1/2"
C20220200	C20220300	C20220400	C20220500	C20220600	C20220700



Plug

5/32"	3/16"	1/4"	5/16"	3/8"	1/2"
C00040400	C20040300	C20040400	C00040800	C20040600	C20040700



Cap

5/32"	3/16"	1/4"	5/16"	3/8"	1/2"
C20120200	C20120300	C20120400	C20120500	C20120600	C20120700



Union tee

5/32"	3/16"	1/4"	5/16"	3/8"	1/2"
C20400200	C20400300	C20400400	C20400500	C20400600	C20400700



Stem elbow

5/32"	3/16"	1/4"	5/16"	3/8"	1/2"
C20430200	C20430300	C20430400	C20430500	C20430600	C20430700



Union tee

5/32"	3/16"	1/4"	5/16"	3/8"	1/2"
C20600200	C20600300	C20600400	C20600500	C20600600	C20600700

Pneufit C push-in fittings

Inch

Ø 1/8" to 1/2" O/D tube



Stem tee

5/32"	3/16"	1/4"	5/16"	3/8"	1/2"
C20630200	C20630300	C20630400	C20630500	C20630600	C20630700



Stem side tee

5/32"	3/16"	1/4"	5/16"	3/8"	1/2"
C20640200	C20640300	C20640400	C20640500	C20640600	C20640700



Union Y

5/32"	3/16"	1/4"	5/16"	3/8"	1/2"
C20820200	C20820300	C20820400	C20820500	C20820600	C20820700



Stem Y

5/32"	3/16"	1/4"	5/16"	3/8"	1/2"
C20840202	C20840300	C20840404	C20840505	C20840600	C20840700



Union cross

5/32"	3/16"	1/4"	5/16"	3/8"	1/2"
C20900200	C20900300	C20900400	C20900500	C20900600	C20900700



Straight union (unequal)

3/16" - 5/32"	1/4" - 5/32"	1/4" - 3/16"	5/16" - 1/4"	3/8" - 1/4"	3/8" - 5/16"	1/2" - 1/4"	1/2" - 3/8"
C20200302	C20200402	C20200403	C20200504	C20200604	C20200605	-	C20200706



Stem Reducer (stem/tube)

3/16" - 5/32"	1/4" - 5/32"	1/4" - 3/16"	5/16" - 1/4"	3/8" - 1/4"	3/8" - 5/16"	1/2" - 1/4"	1/2" - 3/8"
-	C20230402	-	C20230504	C20230604	C20230605	C20230704	C20230706

Pneufit C push-in fittings

Inch

Ø 1/8" to 1/2" O/D tube



Stem Union (unequal)

3/16"- 5/32"	1/4"- 5/32"	1/4"- 3/16"	5/16"- 1/4"	3/8"- 1/4"	3/8"- 5/16"	1/2"- 1/4"	1/2"- 3/8"
C20220302	C20220402-	C20220403	C20220504	C20220604	C20220605	-	C20220706



Union Tee (unequal)

3/16"- 5/32"	1/4"- 5/32"	1/4"- 3/16"	5/16"- 1/4"	3/8"- 1/4"	3/8"- 5/16"	1/2"- 1/4"	1/2"- 3/8"
-	C206A0402	-	C206A0504	C206A0604	C206A0605	C206A0704	C206A706



Stem Tee (unequal)

3/16"- 5/32"	1/4"- 5/32"	1/4"- 3/16"	5/16"- 1/4"	3/8"- 1/4"	3/8"- 5/16"	1/2"- 1/4"	1/2"- 3/8"
-	C20630402-	-	C20630504	C20630604	C20630605	-	-



Stem Side Tee (unequal)

3/16"- 5/32"	1/4"- 5/32"	1/4"- 3/16"	5/16"- 1/4"	3/8"- 1/4"	3/8"- 5/16"	1/2"- 1/4"	1/2"- 3/8"
-	C20640402	-	C20640504	C20640604	-	C20640605	-



Union Y (unequal)

3/16"- 5/32"	1/4"- 5/32"	1/4"- 3/16"	5/16"- 1/4"	3/8"- 1/4"	3/8"- 5/16"	1/2"- 1/4"	1/2"- 3/8"
C20820302	C20820402	C20820403	C20820504	C20820604	C20820605	-	C20820706



Stem Y (unequal)

3/16"- 5/32"	1/4"- 5/32"	1/4"- 3/16"	5/16"- 1/4"	3/8"- 1/4"	3/8"- 5/16"	1/2"- 1/4"	1/2"- 3/8"
-	C20840402	-	C20840504	C20840604	C20840605	-	-

Pneufit C push-in fittings

Inch

MINIATURE PNEUFIT® M

Ø 1/8" to 1/2" O/D tube

Straight adapter (external + internal hex)



Thread	1/8"	5/32"	1/4"
M3	M22250103	M02250403	-
M5	M22250105	M02250405	M22250405
M6	M22250106	M02250406	M22250406
10-32 UNF	M24250110	M24250210	M24250410
1/16" NPT	M24250116	M24250216	M24250416
1/8" NPT	M24250118	M24250218	M24250418
1/8" R	M21250118	M01250418	M21250418
1/4" NPT	M24250128		

Straight adapter (internal hex only)



Thread	1/8"	5/32"	1/4"
M3	M222A0103	M022A0403	-
M5	M222A0105	M022A0405	M242A0405
M6	M222A0106	M022A0406	M242A0406
10-32 UNF	M242A0110	M242A0210	M242A0410
1/16" NPT	M242A0116	M242A0216	M242A0416
1/8" NPT	M242A0118	M242A0218	M242A0418

Straight adapter (female thread)



Thread	1/8"	5/32"	1/4"
M3	M22260103	M02260403	
M5	M22260105	M02260405	
10-32 UNF	M24260110	M24260210	
1/16" NPT	M24260116	M24260216	
1/8" NPT	M24260118		
1/4" NPT	M24260128		

90° Swivel Elbow Adapter



Thread	1/8"	5/32"	1/4"
M3	M22470103	M02470403	
M5	M22470105	M02470405	
M6	M22470106	M02470406	M22470406
10-32 UNF	M24470110	M24470210	M24470410
1/16" NPT	M24470116	M24470216	M24470416
1/8" NPT	M24470118	M24470218	M24470418
1/8" R		M01470418	
1/4" NPT	M24470128		

Swivel Tee Adapter



Thread	1/8"	5/32"	1/4"
M3	M22670103	M02670403	
M5	M22670105	M02670405	M22670405
M6	M22680106	M02670406	M22670406
10-32 UNF	M24670110	M24670210	M24670410
1/16" NPT	M24670116	M24670216	M24670416
1/8" NPT	M24670118	M24670218	M24670418
1/8" R		M01670418	M21670418

Pneufit C push-in fittings

Inch

Ø 1/8" to 1/2" O/D tube



Swivel Side Tee Adapter

Thread	1/8"	5/32"	1/4"
M3	M24680103	M02680403	-
M5	M22680105	M02680405	M22680405
M6	M22680106	M02680406	M22680406
10-32 UNF	M24680110	M24680210	M24680410
1/16" NPT	M24680116	M24680216	M24680416
1/8" NPT	M24680118	M24680218	M24680418
1/8" R		M01680418	M21680418



Straight Union

Thread	1/8"	5/32"	1/4"
-	M20200100	M20200200	M20200400



Union Elbow

Thread	1/8"	5/32"	1/4"
-	M20400100	M20400200	M20400400



Union Tee

Thread	1/8"	5/32"	1/4"
-	M20600100	M20600200	M20600400



Straight Union (unequal)

Thread	5/32"-1/8"	1/4"-1/8"	1/4"-5/32"
-	M20200201	M20200401	M20200402



Stem Reducer (stem/tube)

Thread	5/32"-1/8"	1/4"-1/8"	1/4"-5/32"
-	C20230201	C20230401	-



Stem Expander (stem/tube)

Thread	1/8"-1/4"	5/32"-1/4"
-	C20230104	C20230204



Banjo Flow Control

Thread	1/8"
10-32 UNF	C2VA00110 regulating out
10-32 UNF	C2WA00110 regulating out

Pneufit C push-in fittings

Inch

Ø 1/8" to 1/2" O/D tube

PNEUFIT® C MANIFOLDS



Male Manifold

Thread	1/4"-5/32"	5/16"-5/32"	5/16"-3/16"	5/16"-1/4"	3/8"-1/4"
1/8" NPT	C24D30218	-	-	-	-
1/4" NPT	-	C24D30228	C24D30328	C24D30428	-
3/8" NPT	-	-	-	-	C24D30438



Manifold Union

3/16"-5/32"	1/4"-5/32"	5/16"-5/32"	5/16"-3/16"	5/16"-1/4"	3/8"-1/4"	3/8"-5/16"
C20D30302	C20D30402	C20D30502	C20D30503	C20D30504	C20D30604	C20D30605



Stem Manifold

3/16"-5/32"	1/4"-5/32"	5/16"-5/32"	5/16"-3/16"	5/16"-1/4"	3/8"-1/4"	3/8"-5/16"
C20J30302	C20J30402	C20J30502	C20J30503	C20J30504	C20J30604	C20J30605