

VHLA Series Rotary Hand Valves

1/4", 3/8", and 1/2" NPT porting



Aluminum die casting design for heavy applications

Detented center position

Easy to grasp and rotate handle

Cv's of 0.4 to 3.1

Port sizes of 1/4", 3/8", and 1/2"

2 or 3 position functions available

Order information

Port Size	Function	Model Number
1/4"	3 position, 4-way	VHLA200-02
1/4"	2 position, 4-way	VHLA202-02
3/8"	3 position, 4-way	VHLA300-03
3/8"	2 position, 4-way	VHLA302-03
1/2"	3 position, 4-way	VHLA400-04
1/2"	2 position, 4-way	VHLA402-04

Technical Data

Fluid: Compressed air

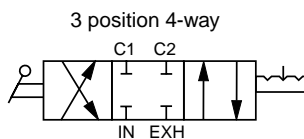
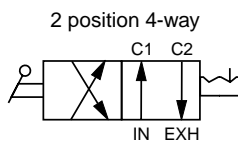
Maximum operating pressure: 140 psi (9.7 bar)

Temperature Range: 40° to 140°F* (5° to 60°C).

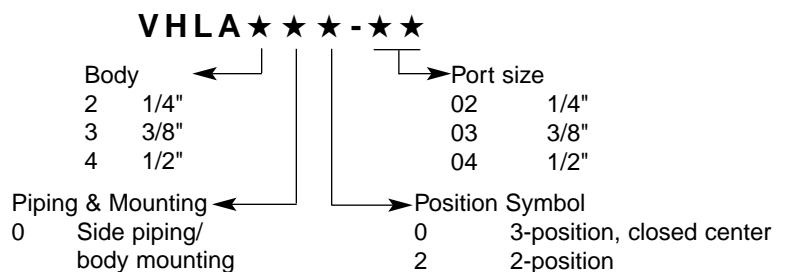
*With a dew point of supply air less than air temperature below 35°F (2°C).

Flow:	1/4"	Cv 0.4
	3/8"	Cv 1.1
	1/2"	Cv 3.1

Materials of Construction
Body: Die cast aluminum



Options Selector

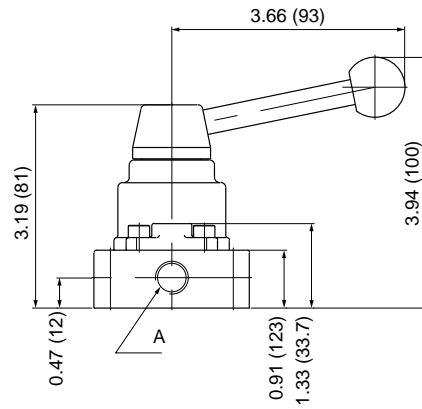
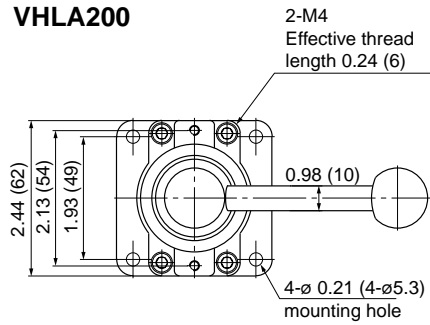




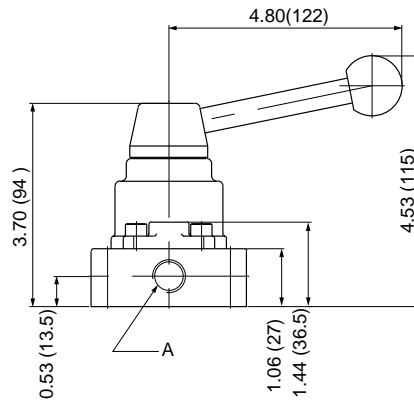
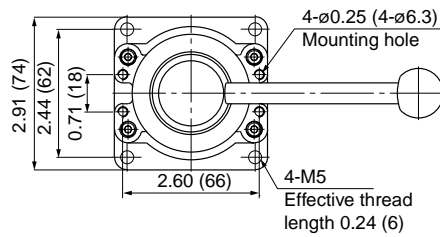
VHLA Series Rotary Hand Valves

All Dimensions in Inches (mm)

VHLA200



VHLA300



VHLA400

