

Controls

Joystick with variable speed.

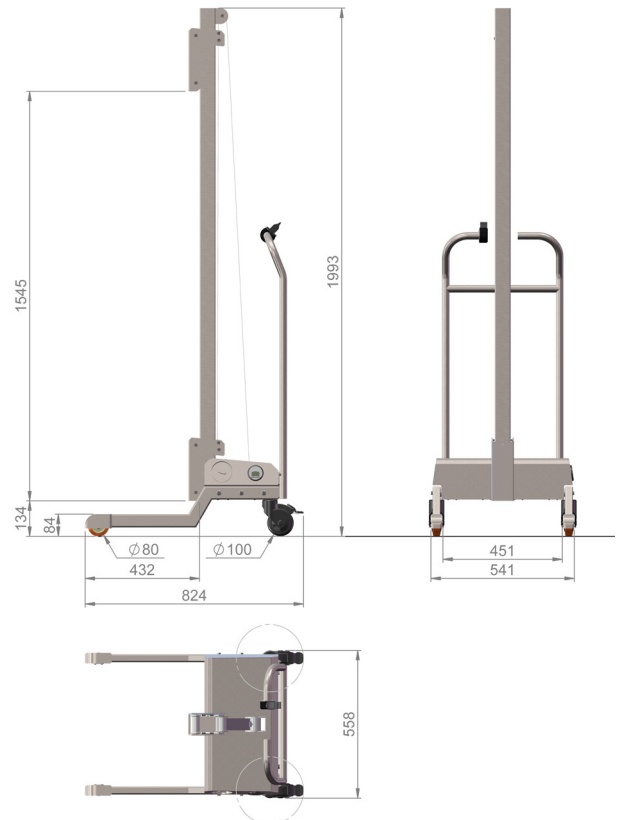


- Flexible solution for lifting and transporting everything from reels to boxes in an ergonomic and efficient manner.
- Certified in accordance with the IP65 encapsulation.
- Designed to operate in the most demanding work environments and withstands high pressure cleaning.
- Meets sanitary requirements within food processing and pharmaceutical work areas.
- SafeDrive ensures that if a tool hits an object during lowering, it will stop immediately.
- The lifter is belt driven, resulting in safe, quiet and smooth oil free drive.
- With our wide selection of tools and accessories, the CR80 can be optimized for your needs. Standard tools and accessories are presented on the following pages.

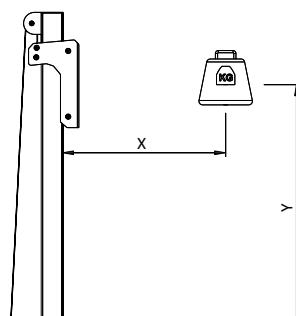
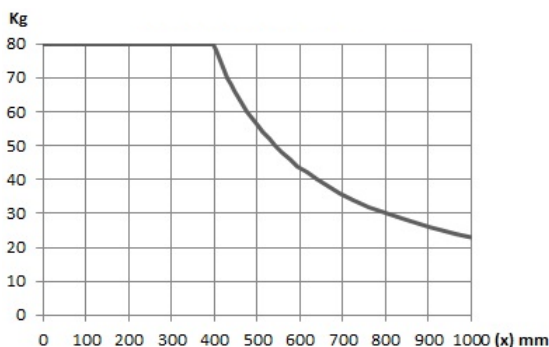
Contact your sales representative for bespoke solutions.

Technical specifications

Description	Specifications
CR80	888000
Lifting capacity	80 kg
Stroke	1545 mm
Weight of unit	46 kg
Total height of unit	1990 mm
Battery charger	100-240V, grounded 50-60 Hz
Battery	2x12V 7Ah
Watt	55 W
Lifts per charge	80 kg x 1 m x 100 times
Up and down motions	Joystick (variable speed)
Front wheels	Fixed
Brake system	Rear wheels separately braked
Overload protection	Incorporated in circuit load
IP-rating	IP65
Lifting speed fast/slow	0,1 m/s



Load diagram

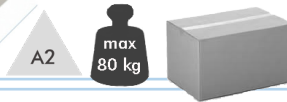


All measures are LxWxH

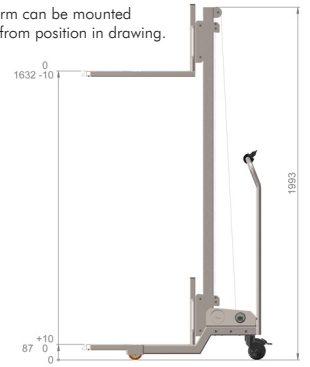
Platform

Safely lift and transport goods of varying sizes with this robust platform mounted on your CR80.

- Art. 892610 ss surface, 600x400 mm
- Art. 892611 alu surface, 600x400 mm
- Art. 892612 ss surface, 600x600 mm
- Art. 892613 alu surface, 600x600 mm



The platform can be mounted ±50 mm from position in drawing.



A2 = Stainless steel
FZB = Zincified mild steel

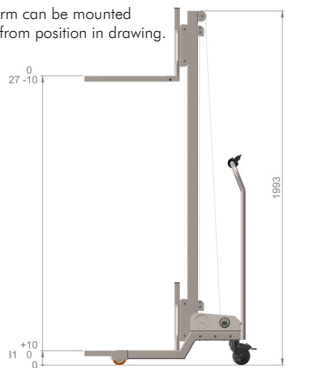
Fold up platform

This fork tool with a foldable stainless steel platform lets you lift boxes and crates with the same tool.

- Art. 892634
- Surface size 500x450 mm
- Fork length 500 mm, ID 370 mm



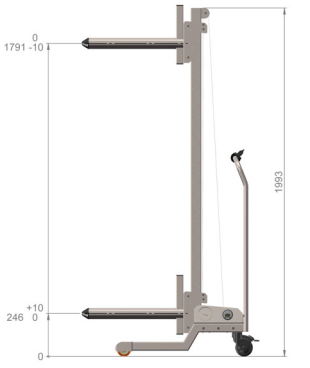
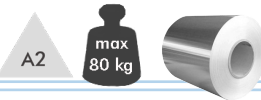
The platform can be mounted ±50 mm from position in drawing.



Boom

Lift and transport reels onto shafts and machines without effort with this ergonomic boom tool.

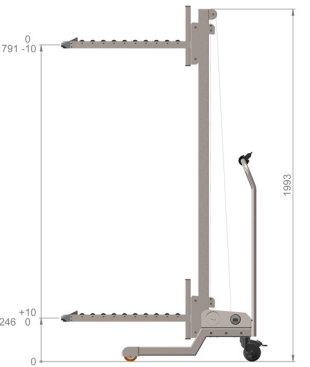
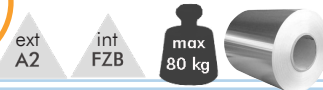
- Art. 892620 Ø63,5x500 mm
- Art. 892621 Ø63,5x1000 mm



Roller boom

This boom is equipped with rollers for effortless loading and unloading of reels. The safety pin holds the reel in place and ensures safe transport. The pin is automatically released when the boom hits an object.

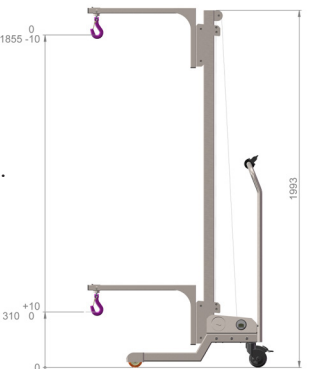
- Art. 892622
- Handles reels up to 600 mm



Crane arm with hook

A crane arm with an adjustable hook is ideal for reaching into narrow spaces, handling machine parts, small drums etc.

- Art. 892623
- Arm length 600 mm



All measures are LxWxH

Tube fork

The tube fork provides a cost efficient reel handling solution, handling reels from their outer surface.

Art. 892631
Fork length 600 mm, C-C 250 mm

A2  



The fork can be mounted ±50 mm from position in drawing.



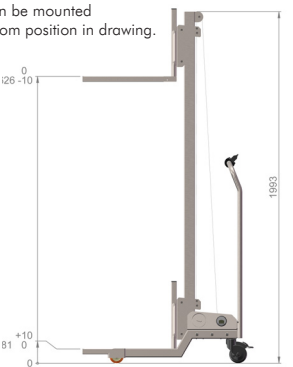
Fork

This basic fork tool is ideal for handling both crates and reels. A fork tool on your CR80 allows for ergonomic and efficient handling of plastic crates.

Art. 892630
Fork length 500 mm, ID 370 mm

A2  



The fork can be mounted ±50 mm from position in drawing.



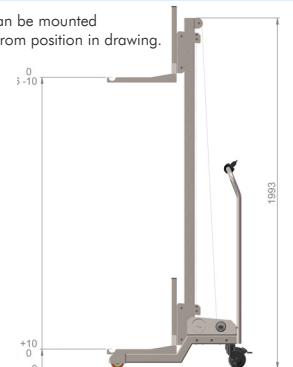
Axle fork

With this tool, reels on axle are easily gripped and lifted. The reel rests safely on the forks during transport.

Art. 892632
Size 340x500 mm
Handling reels up to Ø600x500 mm

A2  

The fork can be mounted ±50 mm from position in drawing.


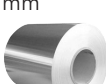


The Coregripper is our most flexible reel handling solution!

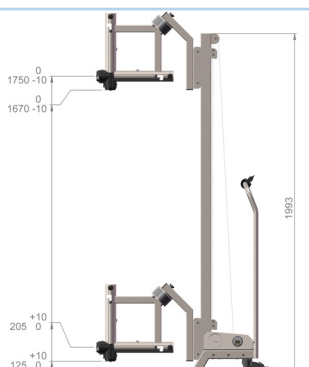
Coregripper

Handling reels from the core, this highly efficient tool lets you pick up reels from a vertical position and rotate to horizontal position.

Art. 892650 core Ø76
Art. 892655 core Ø152
Handling reels up to Ø650x600 mm

ext A2 int FZB  

The fork can be mounted ±50 mm from position in drawing.



All measures are LxWxH

Ergonomic

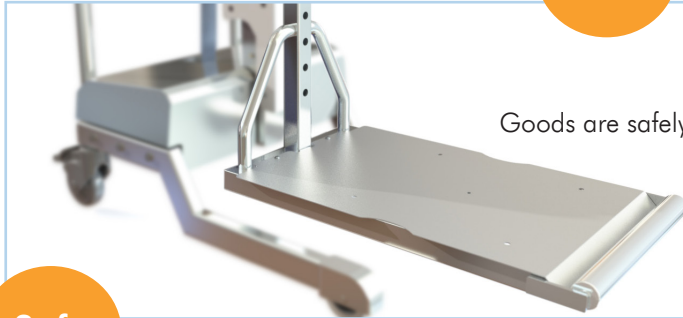


V-block with rotation plate

A v-block on your platform is a flexible and cost efficient solution for handling all types of reels. The rotation plate is suitable for all stainless steel platforms and enables effortless rotation of the v-block. The v-block can also be used without rotation plate.

Rotation plate Art. 890640
V-block Art. 890641, block length 380 mm, for reels up to Ø600 mm

Efficient



Roll kit for platform

Goods are safely rolled onto the lifter with a roll kit attached to the platform.
Fits platforms 892610 and 892611.

Art. 890644 steel roll Ø40x400 mm
Art. 890645 plastic roll Ø40x400 mm
Art. 890646 steel roll Ø40x600 mm
Art. 890647 plastic roll Ø40x600 mm

Safe