



User friendly control panel

- emergency stop
- service indicator
- battery status display



Hand control

Detachable for optimal ergonomic steering.

SmartPack

Easily switch the battery pack to extend runtime through multiple shifts.



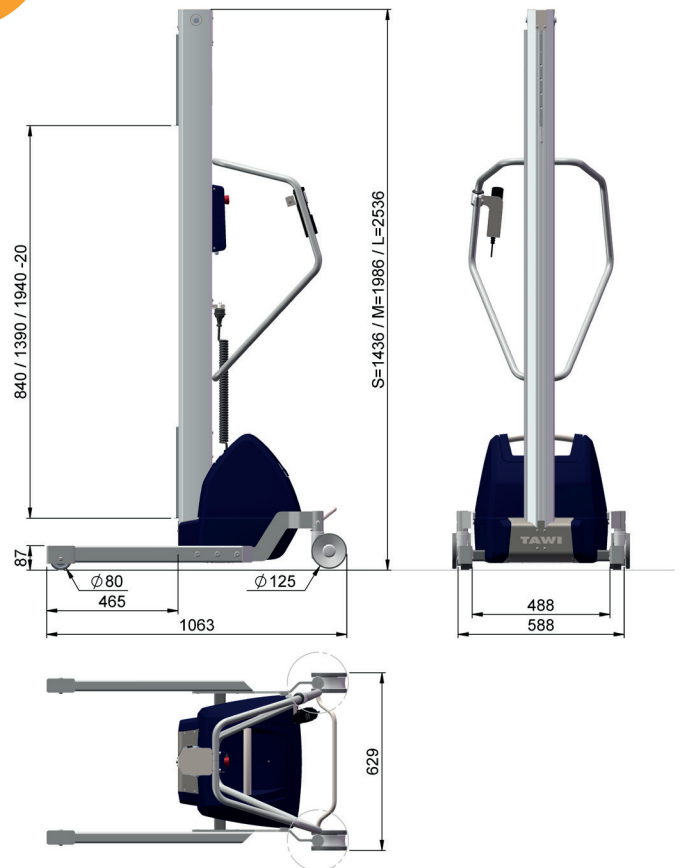
- Flexible solution for lifting and transporting everything from reels to boxes in an ergonomic and efficient manner.
- Available in three mast sizes; S, M and L.
- The lifter is available in stainless steel, equipped with a white FDA approved cover, ideal for food manufacturing and pharmaceutical industry
- SafeDrive ensures that if a tool hits an object during lowering, it will stop immediately.
- The lifter is belt driven, resulting in safe, quiet and smooth oil free drive.
- With our wide selection of tools and accessories, the PRO180 can be optimized for your needs. Standard tools and accessories are presented on the following pages.

[Call us!](#)

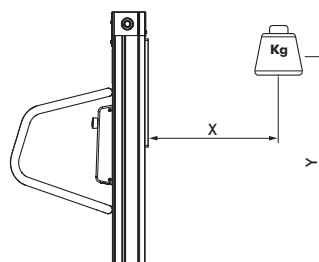
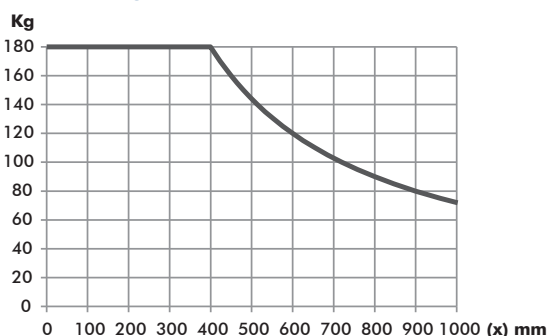
Contact your sales representative for bespoke solutions.

Technical specifications

Description	Specifications
PRO180S / PRO180M / PRO180L PRO180SSS / PRO180MSS / PRO180LSS	89400 / 89410 / 89420 89405 / 89415 / 89425
Lifting capacity	180 kg / 395 lbs
Stroke	840 / 1390 / 1940 mm
Weight of unit	77 / 81 / 86 kg
Total height of unit	1440 / 1990 / 2540 mm
Battery charger	100-240V, grounded 50-60 Hz
Battery	2x12V 17Ah
Watt	80 W
Lifts per charge	180 kg x 1m x 100 times
Up and down motions	Hand control (two speed)
Front wheels	Fixed
Brake system	Central brake with directional lock
Overload protection	Incorporated in circuit load
IP-rating	IP24
Lifting speed fast/slow	0,1m/s / 0,05m/s



Load diagram

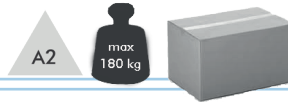


All measures are LxWxH

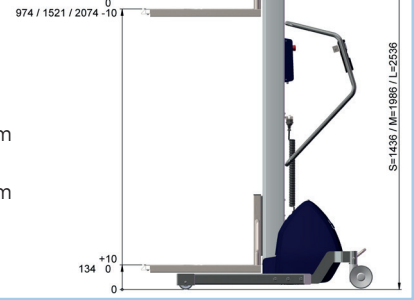
Platform

Safely lift and transport goods of varying sizes with this robust platform mounted on your PRO180.

- Art. 893610 ss surface, 600x400 mm
- Art. 893611 alu surface, 600x400 mm
- Art. 893612 ss surface, 600x600 mm
- Art. 893613 alu surface, 600x600 mm



The platform can be mounted ±100 mm from position in drawing.



A2 = Stainless steel
FZB = Zincified mild steel

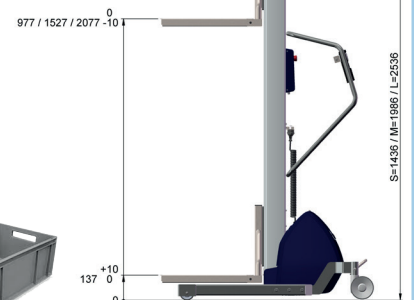
Fold up platform

This fork tool with a foldable stainless steel platform lets you lift boxes and crates with the same tool.

- Art. 893634
- Surface size 500x450 mm
- Fork length 500 mm, ID 370 mm



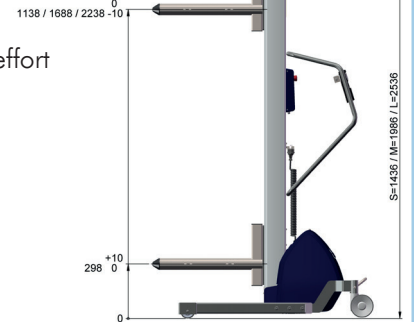
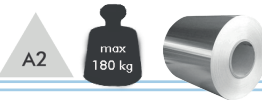
The platform can be mounted ±100 mm from position in drawing.



Boom

Lift and transport reels onto shafts and machines without effort with this ergonomic boom tool.

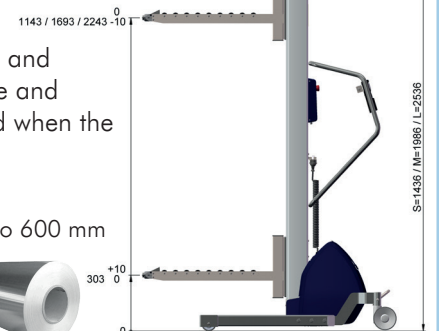
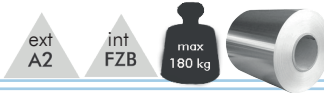
- Art. 893620 Ø63,5x500 mm
- Art. 893621 Ø63,5x1000 mm



Roller boom

This boom is equipped with rollers for effortless loading and unloading of reels. The safety pin holds the reel in place and ensures safe transport. The pin is automatically released when the boom hits an object.

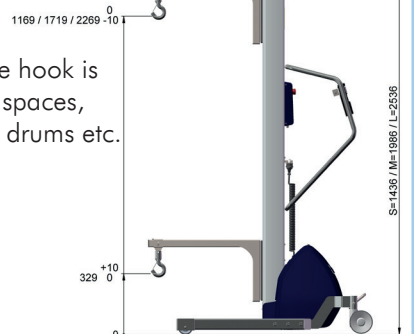
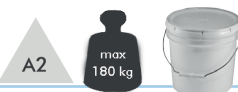
- Art. 893622
- Handles reels up to 600 mm



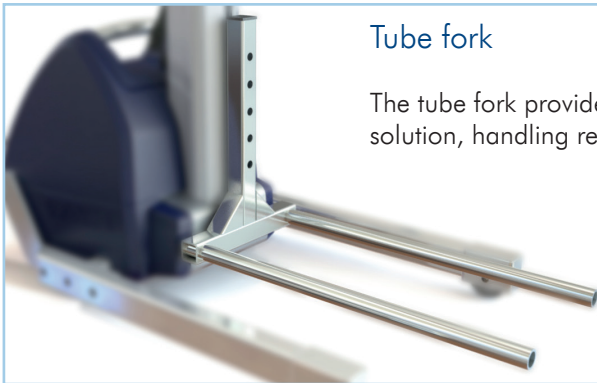
Crane arm with hook

A crane arm with an adjustable hook is ideal for reaching into narrow spaces, handling machine parts, small drums etc.

- Art. 893623
- Arm length 600 mm



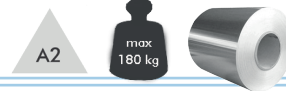
All measures are LxWxH



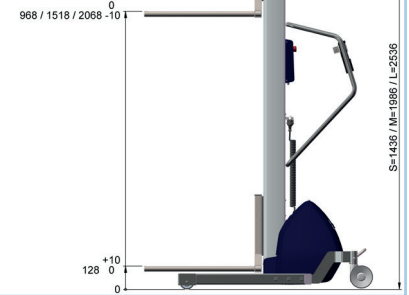
Tube fork

The tube fork provides a cost efficient reel handling solution, handling reels from their outer surface.

Art. 893631
Fork length 600 mm, C-C 250 mm



The fork can be mounted ±100 mm from position in drawing.



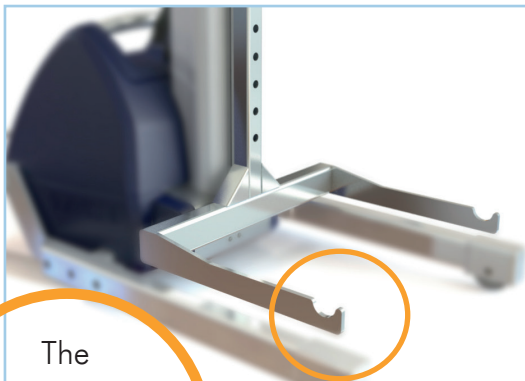
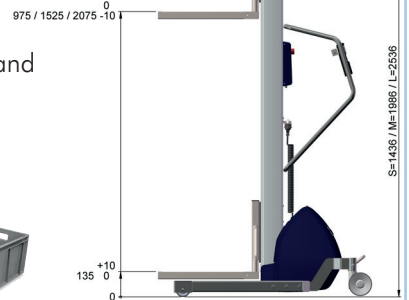
Fork

This basic fork tool is ideal for handling both crates and reels. A fork tool on your PRO180 allows for ergonomic and efficient handling of plastic crates.

Art. 893630
Fork length 500 mm, ID 370 mm



The fork can be mounted ±100 mm from position in drawing.



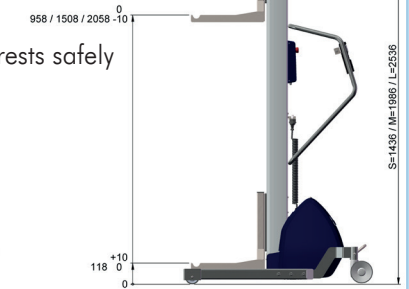
Axle fork

With this tool, reels on axle are easily gripped and lifted. The reel rests safely on the forks during transport.

Art. 893632
Size 340x500 mm
Handling reels up to Ø600x500 mm



The fork can be mounted ±100 mm from position in drawing.



The Coregripper is our most flexible reel handling solution!



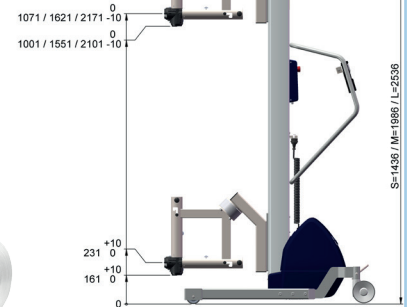
Coregripper

Handling reels from the core, this highly efficient tool lets you pick up reels from a vertical position and rotate to horizontal position.

Art. 893650 core Ø76
Art. 893655 core Ø152
Handling reels up to Ø650x600 mm



The fork can be mounted ±100 mm from position in drawing.



* Maximum load 130 kg with standard legs, 150 kg with +100 mm extended legs.

All measures are LxWxH

Ergonomic

Ladder

Fold-up ladder, optimal for pushing goods from the tool onto a shelf. This ergonomic three step ladder can be mounted on both sides of the lifter.

Art. 890692

FZB



QuickLoad

This feature for smooth and precise positioning of load saves valuable time and effort for the operator. Positioning is conveniently controlled with the detachable hand control.

Art. 890500

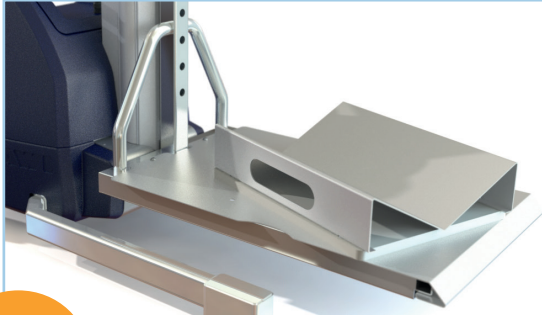


V-block with rotation plate

A v-block on your platform is a flexible and cost efficient solution for handling all types of reels. The rotation plate is suitable for all stainless steel platforms and enables effortless rotation of the v-block. The v-block can also be used without rotation plate.

Rotation plate Art. 890640

V-block Art. 890641, block length 380 mm, for reels up to Ø600 mm



Efficient

Quick coupling

With a quick coupling, switching between different tools is quick and simple, for efficient handling of various goods.

Art. 893691, sleigh half
Art. 893692, tool half



SmartPack

Extend working hours with a detachable battery pack including charger.

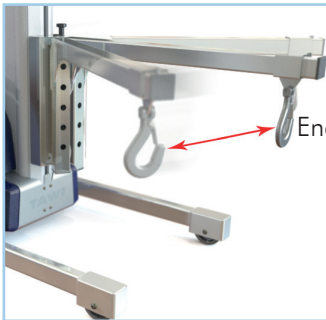
Art. 894400



Articulating adapter

Enables easy articulation of tools, adding flexibility to your lifter. The adapter can be mounted between all types of tools.

Art. 893697



ESD wheels

Ensure safety with ESD wheels when electrostatic discharge is not allowed, e.g. in environments where electrical components are assembled.

Art. 890692

Safe



Roll kit for platform

Goods are safely rolled onto the lifter with a roll kit attached to the platform. Fits platforms 893610 and 893611.

Art. 890644 steel roll Ø40x400 mm
Art. 890645 plastic roll Ø40x400 mm
Art. 890646 steel roll Ø40x600 mm
Art. 890647 plastic roll Ø40x600 mm

