



User friendly control panel

- emergency stop
- service indicator
- battery status display



Hand control

Detachable for optimal ergonomic steering.

SmartPack

Easily switch the battery pack to extend runtime through multiple shifts.



- Flexible solution for lifting and transporting everything from reels to boxes in an ergonomic and efficient manner.
- Available in two mast sizes; M and L.
- The lifter is available in stainless steel, equipped with a white FDA approved cover, ideal for food manufacturing and pharmaceutical industry
- SafeDrive ensures that if a tool hits an object during lowering, it will stop immediately.
- The lifter is belt driven, resulting in safe, quiet and smooth oil free drive.
- With our wide selection of tools and accessories, the PRO250 can be optimized for your needs. Standard tools and accessories are presented on the following pages.

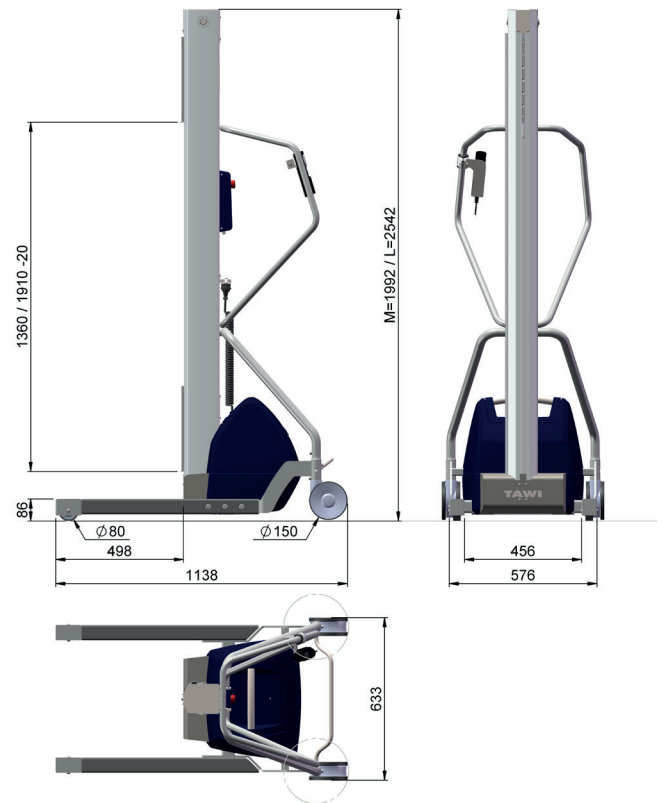


[Call us!](#)

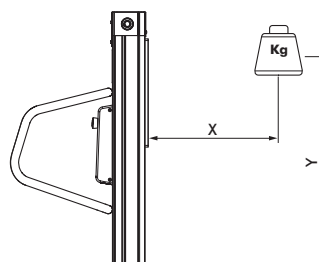
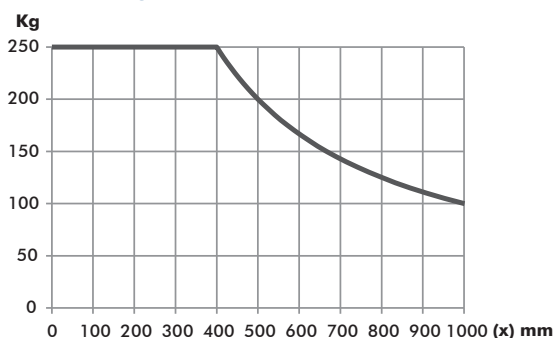
Contact your sales representative for bespoke solutions.

Technical specifications

Description	Specifications
PRO250M / PRO250L	89510 / 89520
PRO250MSS / PRO250LSS	89515 / 89525
Lifting capacity	250 kg / 550 lbs
Stroke	1360 / 1910 mm
Weight of unit	107 / 113 kg
Total height of unit	1990 / 2540 mm
Battery charger	100-240V, grounded 50-60 Hz
Battery	2x12V 17Ah
Watt	80 W
Lifts per charge	250 kg x 1m x 100 times
Up and down motions	Hand control (two speed)
Front wheels	Fixed
Brake system	Central brake with directional lock
Overload protection	Incorporated in circuit load
IP-rating	IP24
Lifting speed fast/slow	0,1m/s / 0,05m/s



Load diagram



All measures are LxWxH

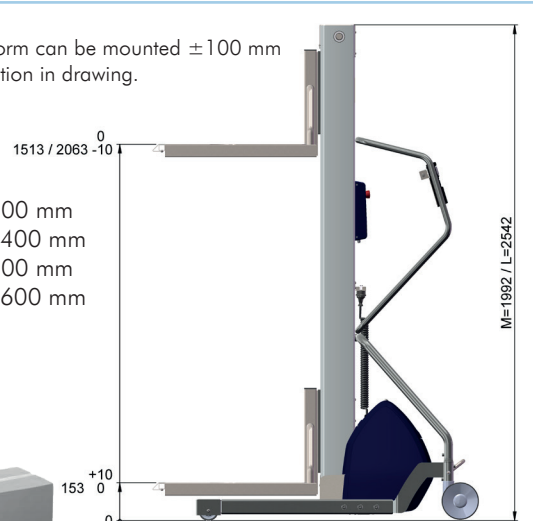
Platform

Safely lift and transport goods of varying sizes with this robust platform mounted on your PRO250.

The platform can be mounted ± 100 mm from position in drawing.

- Art. 895610 ss surface, 600x400 mm
- Art. 895611 alu surface, 600x400 mm
- Art. 895612 ss surface, 600x600 mm
- Art. 895613 alu surface, 600x600 mm

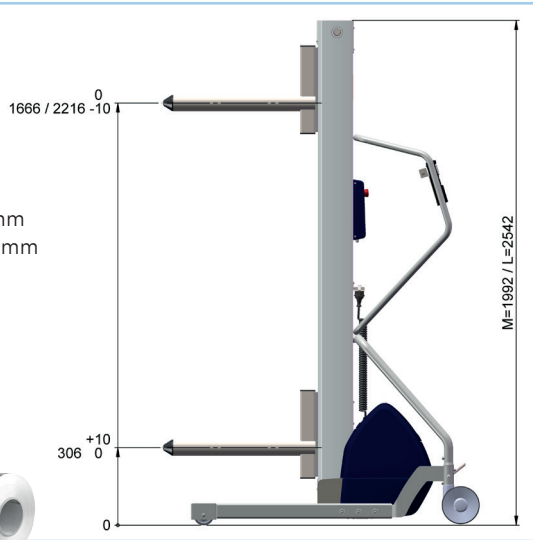
A2 = Stainless steel
FZB = Zincified mild steel



Boom

Lift and transport reels onto shafts and machines without effort with this ergonomic boom tool.

- Art. 895620 $\text{\O}63,5 \times 500$ mm
- Art. 895621 $\text{\O}63,5 \times 1000$ mm



All measures are LxWxH

Roller boom

This boom is equipped with rollers for effortless loading and unloading of reels. The safety pin holds the reel in place and ensures safe transport. The pin is automatically released when the boom hits an object.

Art. 895622
Handles reels up to 600 mm

1676 / 2226 -10
0

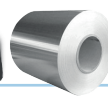
316
0
+10

M=1992 / L=2542

ext
A2

int
FZB

max
250 kg



The fork can be mounted
 ± 100 mm from position in drawing.

Axle fork

With this tool, reels on axle are easily gripped and lifted. The reel rests safely on the forks during transport.

Art. 895632
Size 340x500 mm
Handling reels up to $\varnothing 600 \times 500$ mm

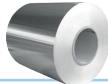
1499 / 2049 -10
0

139
0
+10

M=1992 / L=2542

A2

max
250 kg



All measures are LxWxH

Ergonomic

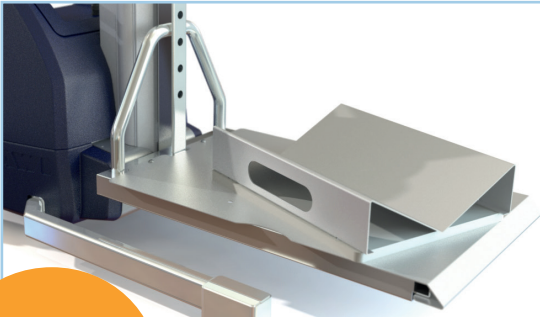
QuickLoad



This feature for smooth and precise positioning of load saves valuable time and effort for the operator. Positioning is conveniently controlled with the detachable hand control.

Art. 890500

V-block with rotation plate



A v-block on your platform is a flexible and cost efficient solution for handling all types of reels. The rotation plate is suitable for all stainless steel platforms and enables effortless rotation of the v-block. The v-block can also be used without rotation plate.

Rotation plate Art. 890640
V-block Art. 890641, block length 380 mm, for reels up to Ø600 mm

Efficient

Quick coupling

With a quick coupling, switching between different tools is quick and simple, for efficient handling of various goods.



Art. 895691, sleigh half
Art. 895692, tool half

SmartPack

Extend working hours with a detachable battery pack including charger.

Art. 895400



ESD wheels

Ensure safety with ESD wheels when electrostatic discharge is not allowed, e.g. in environments where electrical components are assembled.

Art. 890692

Safe

Roll kit for platform

Goods are safely rolled onto the lifter with a roll kit attached to the platform. Fits platforms 895610, 895611, 895612 and 895613.

Art. 890644 steel roll Ø40x400 mm
Art. 890645 plastic roll Ø40x400 mm
Art. 890646 steel roll Ø40x600 mm
Art. 890647 plastic roll Ø40x600 mm

